

Vehicle Connector test adapter - EV-T2MBIE12-1ACDC-INFRA - 1622038

Please be informed that the data shown in this PDF Document is generated from our Online Catalog. Please find the complete data in the user's documentation. Our General Terms of Use for Downloads are valid (<http://phoenixcontact.com/download>)




Vehicle Connector test adapter, As a test adapter for charging station tests, CCS type 2, Combined Charging System, IEC 62196-3, 125 A / 850 V (DC), 20 A / 250 V (AC), Single wires, length: 2 m, Locking actuator: 12 V, 4-position, Front and rear mounting, Generation 1

Product Description

Special Vehicle Inlet for charging station tests, solely for laboratory tests, tests with charging stations (EVSE), and further analyses on the infrastructure side - not for installation in any type of vehicle, cannot be used outside of the laboratory area



Key Commercial Data

Packing unit	1 pc
GTIN	 4 055626 003856
GTIN	4055626003856

Technical data

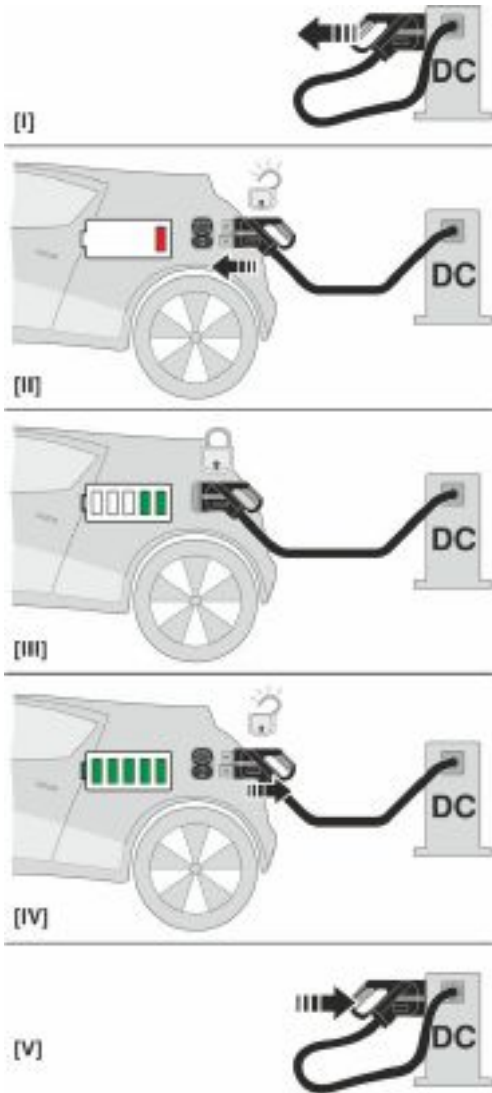
Environmental Product Compliance

REACH SVHC	Lead 7439-92-1
------------	----------------

Drawings

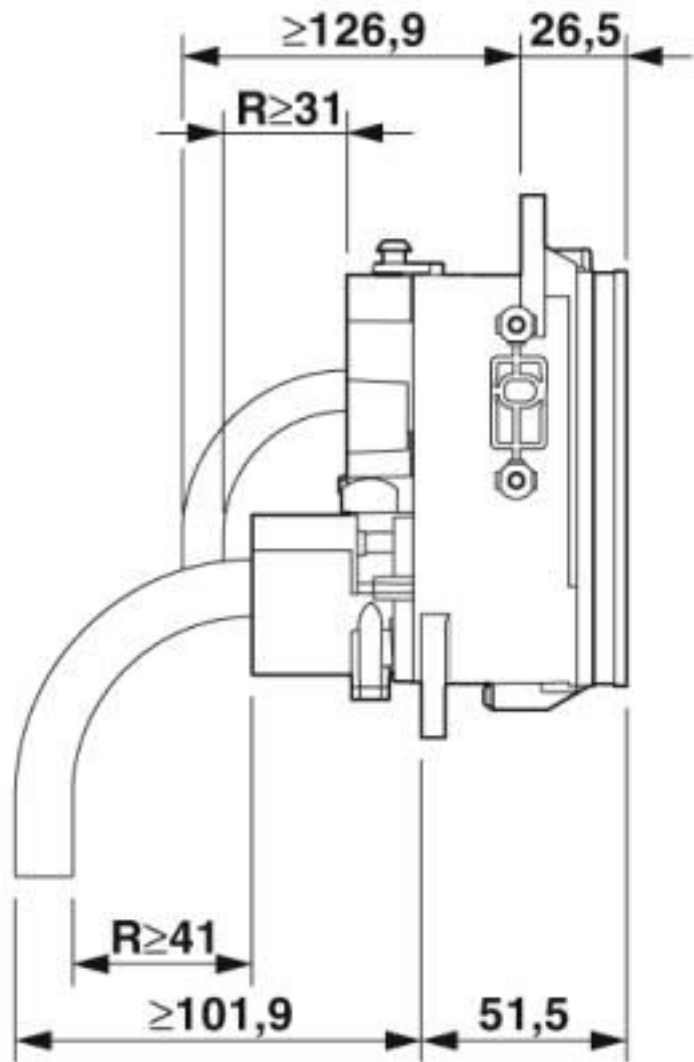
Vehicle Connector test adapter - EV-T2MBIE12-1ACDC-INFRA - 1622038

Schematic diagram



Operating instructions

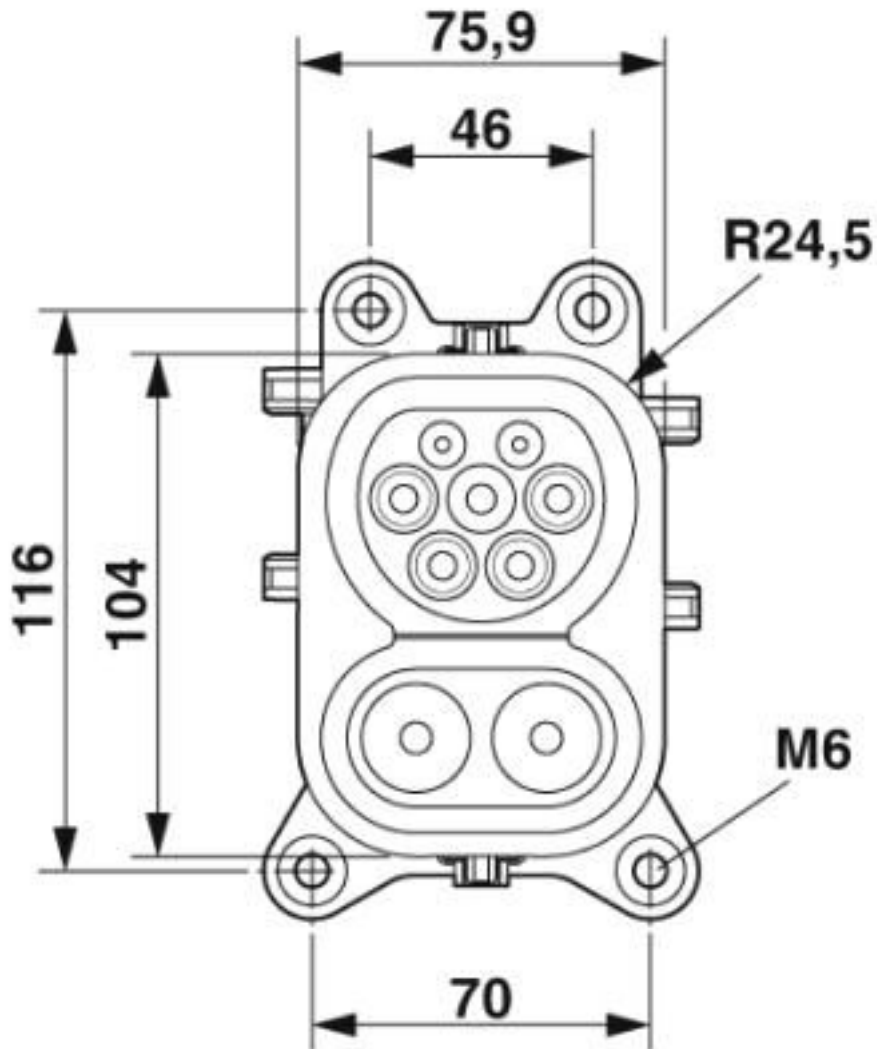
Dimensional drawing



Dimensional drawing, side view

Vehicle Connector test adapter - EV-T2MBIE12-1ACDC- INFRA - 1622038

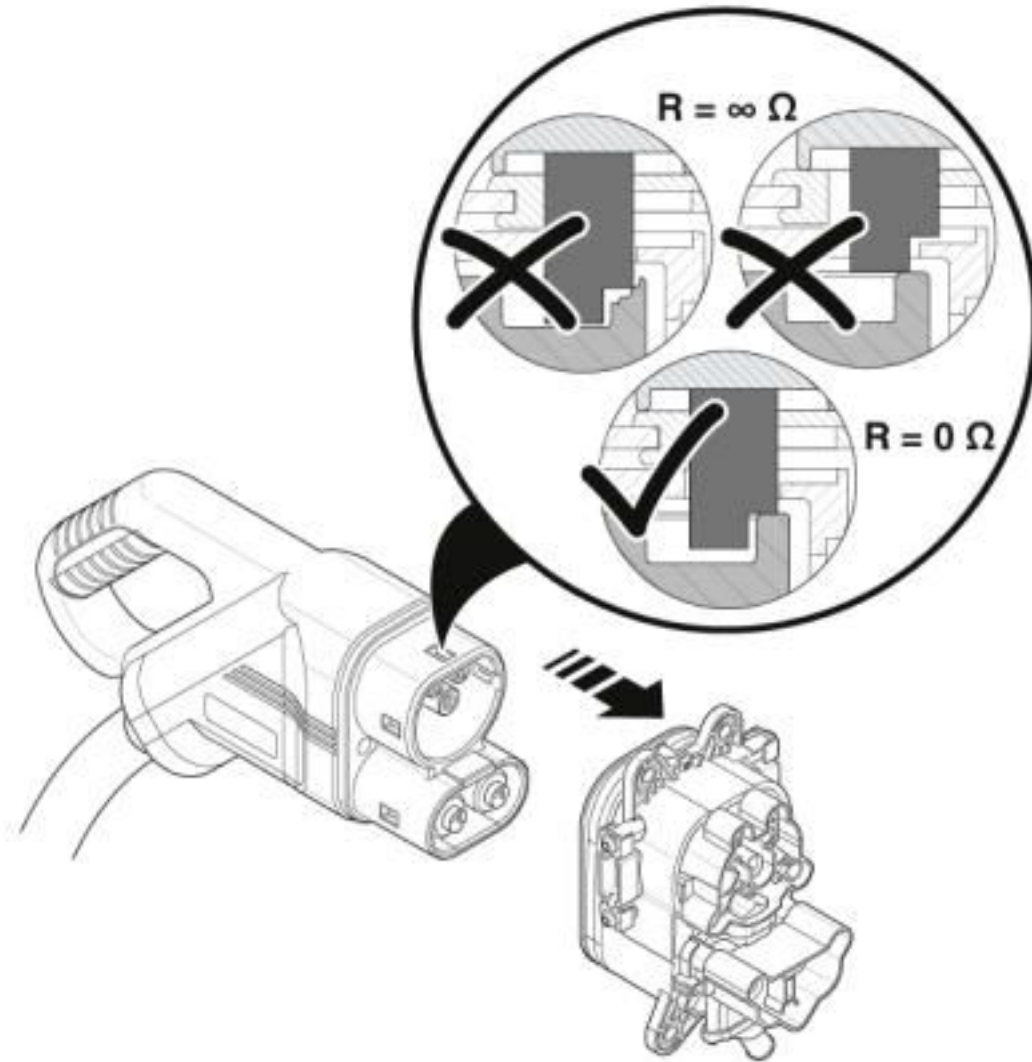
Dimensional drawing



Dimensional drawing top view

Vehicle Connector test adapter - EV-T2MBIE12-1ACDC-INFRA - 1622038

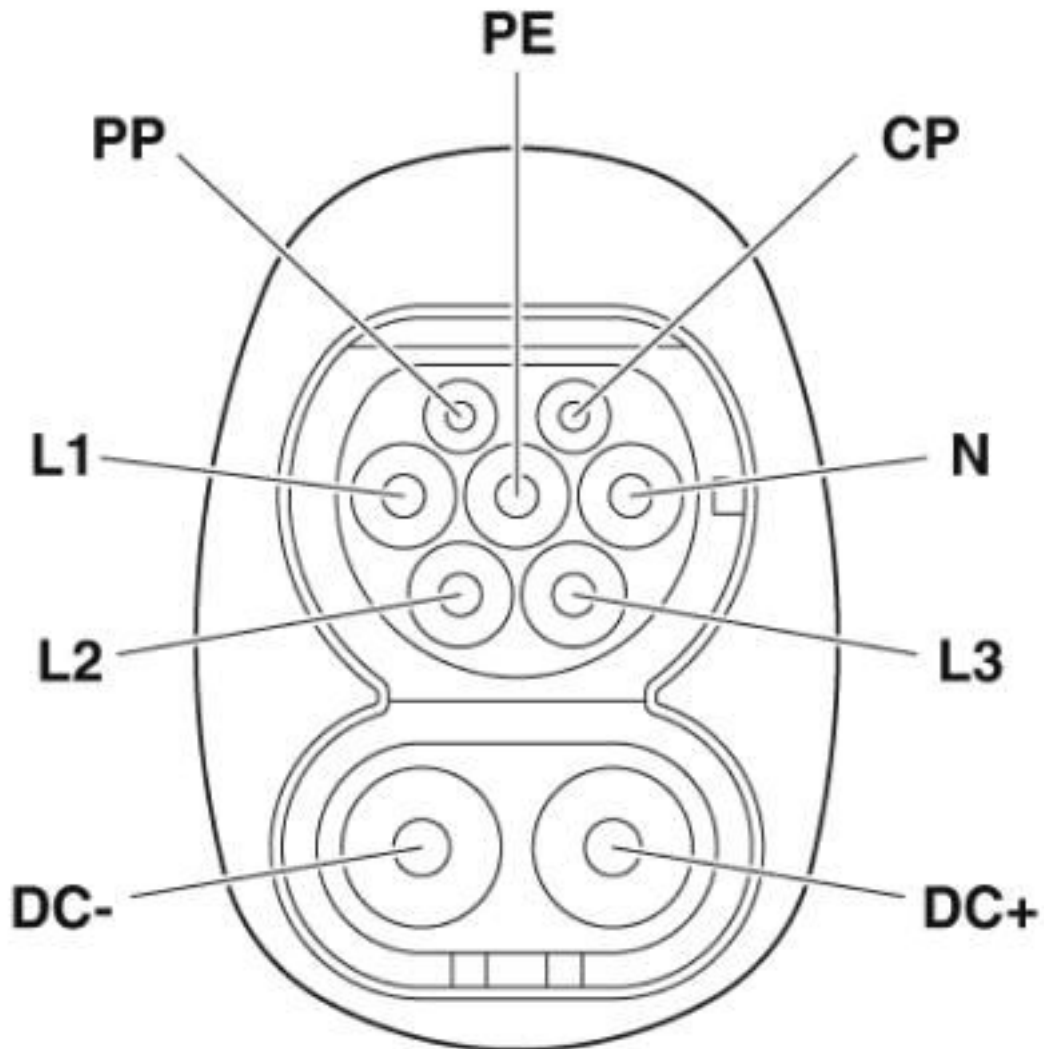
Schematic diagram



Detection for Vehicle Connector

Vehicle Connector test adapter - EV-T2MBIE12-1ACDC- INFRA - 1622038

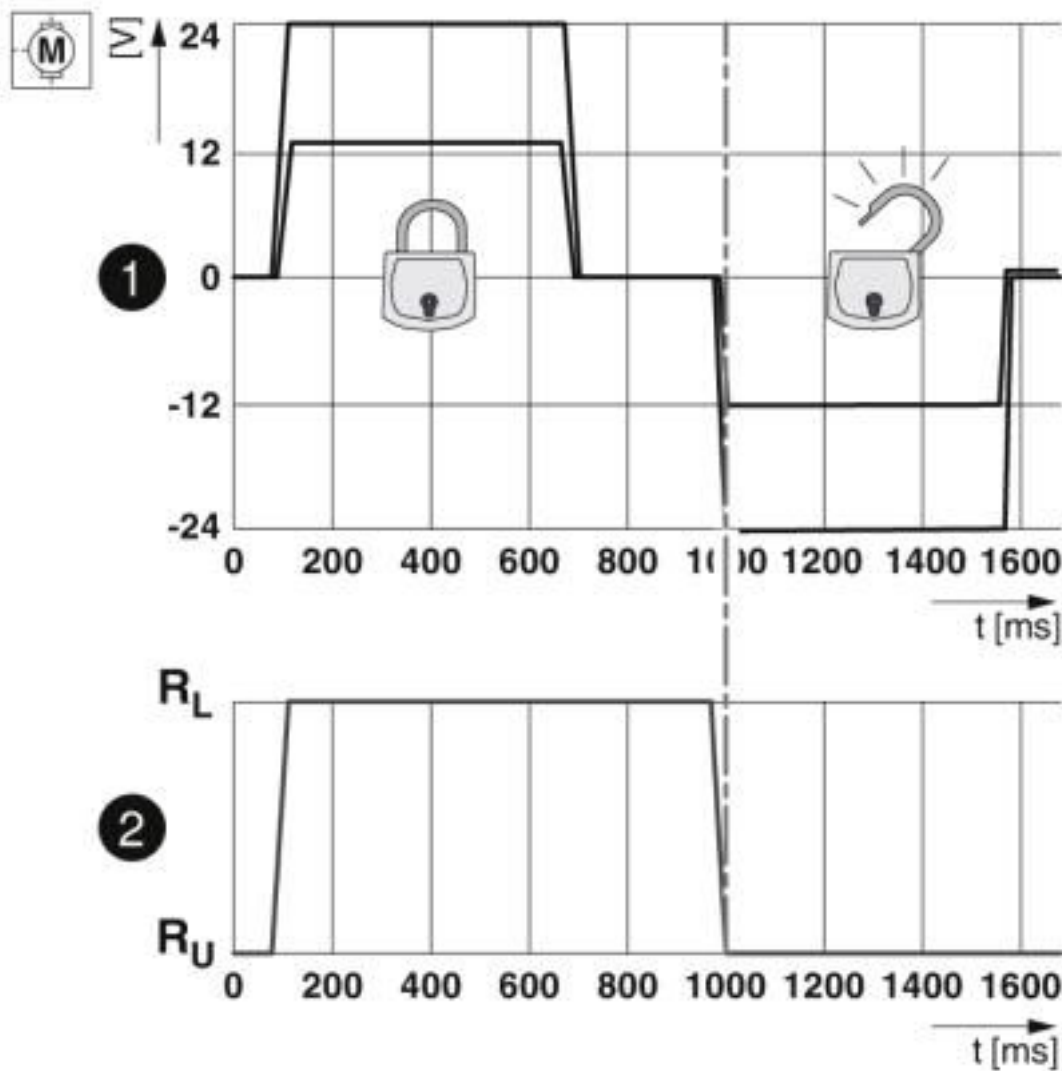
Connection diagram



Pin assignment of Vehicle Inlet

Vehicle Connector test adapter - EV-T2MBIE12-1ACDC-INFRA - 1622038

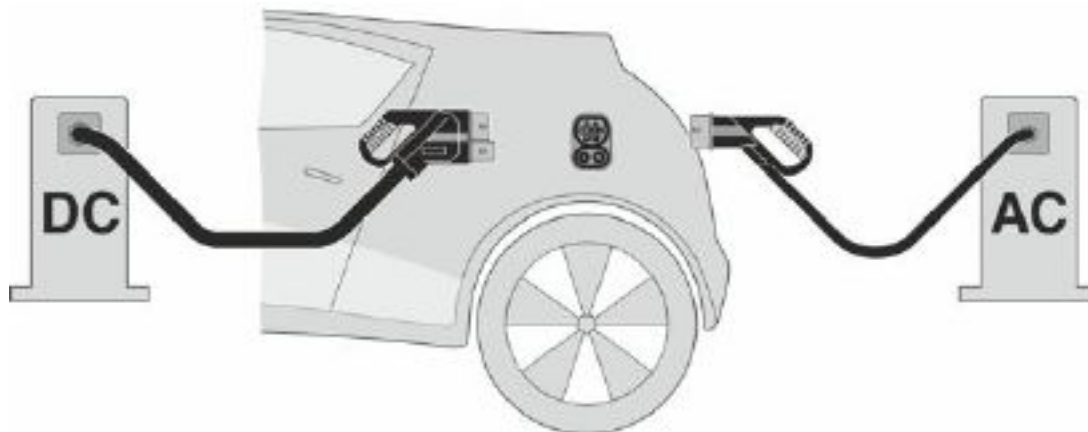
Diagram



Locking states of the locking actuator

Vehicle Connector test adapter - EV-T2MBIE12-1ACDC-INFRA - 1622038

Schematic diagram



The Combined Charging System (CCS) principle - standard-compliant charging system for electric vehicles, which supports both conventional AC charging and fast DC charging. Both Vehicle Connectors fit into the CCS Vehicle Inlet.

Classifications

eCI@ss

eCI@ss 5.1	27379100
eCI@ss 6.0	27379200
eCI@ss 7.0	27379201
eCI@ss 8.0	27379201

ETIM

ETIM 5.0	EC002498
ETIM 6.0	EC002884

UNSPSC

UNSPSC 13.2	39131505
UNSPSC 19.0	39131505

Accessories

Accessories

AC charging cable

AC charging cable - EV-T2M3C-1AC20A-5,0M2,5ESBK00 - 1621804



Design line 1, AC charging cable with Vehicle Connector, open cable end, with protective cap, Type 2, IEC 62196-2, 20 A / 250 V (AC), cable: 5 m, black, straight

Vehicle Connector test adapter - EV-T2MBIE12-1ACDC-INFRA - 1622038

Accessories

AC charging cable - EV-T2G3C-1AC20A-5,0M2,5ESBK01 - 1627354



AC charging cable, with vehicle charging connector and open cable end, with protective cap, Housing color black-gray, for charging electric vehicles (EV) with alternating current (AC) via type 2 vehicle charging inlets, for installation at charging stations for electromobility (EVSE), Type 2, IEC 62196-2, 20 A / 250 V (AC), C-Line, "PHOENIX CONTACT" logo, cable: 5 m, black, straight

DC charging cable

DC charging cable - EV-T2M4CC-DC125A-5,0M50ESBK00 - 1409060



DC charging cable, with vehicle charging connector and open cable end, Housing color black-gray, For charging electric vehicles (EV) with direct current (DC), for installation at charging stations for electromobility (EVSE), CCS type 2, Combined Charging System, IEC 62196-3, 125 A / 1000 V (DC), D-Line 1.0, "PHOENIX CONTACT" logo, cable: 5 m, black, straight

Locking actuator

Locking - EV-T2M3S-E-LOCK12V - 1624129



Locking, For attaching to infrastructure charging sockets, Type 2, GB/T, IEC 61851-1, length: 0.5 m, Locking actuator: 12 V, 4-position, Can be positioned flexibly, Generation 1

Locking - EV-T2M3S-E-LOCK24V - 1622317



Locking, For attaching to infrastructure charging sockets, Type 2, GB/T, IEC 61851-1, length: 0.5 m, Locking actuator: 24 V, 4-position, Can be positioned flexibly, Generation 1

X-ON Electronics

Largest Supplier of Electrical and Electronic Components

Click to view similar products for [Automotive Connectors](#) category:

Click to view products by [Phoenix Contact](#) manufacturer:

Other Similar products are found below :

[003-018-000](#) [60403001](#) [60993906-B](#) [M902-2131](#) [M902-2161](#) [72.330.1035.1](#) [73.353.4028.0](#) [F119300-B](#) [F166900](#) [F258300-B](#) [F358300-B](#)
[F407400](#) [F444110](#) [F487000](#) [F509500B-B](#) [827153-1](#) [8N1515-32-24P](#) [9-1326729-8](#) [925474-1](#) [928905-1](#) [964562-4](#) [968782-1](#) [GT17SA-8DS-](#)
[HU](#) [98891-1012](#) [98947-1016](#) [12004147](#) [12004475-L](#) [12010290](#) [12010309-B](#) [12015454](#) [12020219-B](#) [12020308](#) [12041318-B](#) [12052466](#)
[12059125](#) [12064869](#) [12004327-B](#) [12010503-B](#) [12015308](#) [12015384](#) [12015909](#) [1-21030-1](#) [12041254](#) [12041318](#) [12047946-B](#) [12047957](#)
[12047957-L](#) [12059473](#) [12066261](#) [12110546](#)