

Crimp contact - RC-15P2000 - 1623779

Please be informed that the data shown in this PDF Document is generated from our Online Catalog. Please find the complete data in the user's documentation. Our General Terms of Use for Downloads are valid (<http://phoenixcontact.com/download>)



Crimp contact, turned, contact diameter: 1.5 mm, crimp range: 0.5 mm² ... 1 mm²

The figure may differ depending on the connection area

Your advantages

- Crimping connection: vibration- and temperature-resistant assembly
- High tensile strength of the connection
- Low contact resistance
- Easy production monitoring



Key Commercial Data

Packing unit	100 pc
Minimum order quantity	100 pc
GTIN	
GTIN	4055626190280

Technical data

General

Contact type	turned
Contact diameter	1.5 mm
Type of contact	Pin
Connection method	Crimp connection
Insertion/withdrawal cycles mechanical	100
Litz wire cross section min.	0.5 mm ²
Litz wire cross section max.	1 mm ²
Contact material	CuZn

Environmental Product Compliance

REACH SVHC	Lead 7439-92-1
------------	----------------

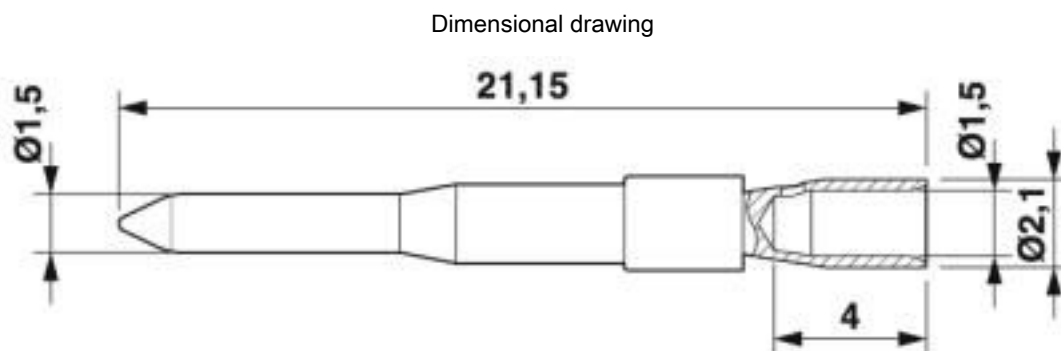
Crimp contact - RC-15P2000 - 1623779

Technical data

Environmental Product Compliance

China RoHS	Environmentally friendly use period: unlimited = EFUP-e
	No hazardous substances above threshold values

Drawings



Classifications

eCl@ss

eCl@ss 10.0.1	27440204
eCl@ss 4.0	272607xx
eCl@ss 4.1	27260701
eCl@ss 5.0	27260701
eCl@ss 5.1	27261200
eCl@ss 6.0	27261200
eCl@ss 7.0	27440204
eCl@ss 8.0	27440204
eCl@ss 9.0	27440204

ETIM

ETIM 5.0	EC000796
ETIM 6.0	EC000796
ETIM 7.0	EC000796

UNSPSC

UNSPSC 13.2	39121522
UNSPSC 18.0	39121522
UNSPSC 19.0	39121522
UNSPSC 20.0	39121522
UNSPSC 21.0	39121522

Accessories

Accessories

Crimp contact - RC-15P2000 - 1623779

Accessories

Crimping tool

Crimping pliers - RC-Z2504 - 1613822



Crimping pliers for turned RC crimp contacts, diameter 1 mm / diameter 1.5 mm / diameter 2 mm for a litz wire cross section of 0.14 mm² ... 2.5 mm²

Crimp locator - RC-Z2540 - 1624504



Locator for RC-Z2514 and RC-Z2504 crimping pliers, for crimping turned RC contacts, diameter of 1.0 mm and 1.5 mm

Mounting material

Contact insertion and removal tool - RC-Z2274 - 1604409



Positioning and unlocking tool for RC crimp contacts for pin/socket with metal clip, diameter 1.0 ... 1.5 mm

Crimping pliers with digital display - RC-Z2514 - 1614590



Crimping pliers for turned RC crimp contacts Ø 1 mm / Ø 1.5 mm / Ø 2 mm, litz wire cross section of 0.08 mm² ... 2.5 mm²

X-ON Electronics

Largest Supplier of Electrical and Electronic Components

Click to view similar products for [Standard Circular Contacts](#) category:

Click to view products by [Phoenix Contact](#) manufacturer:

Other Similar products are found below :

[RC16M23J](#) [133780-1](#) [RM20M13D28](#) [RM24M9D28](#) [RMMX110-1D28](#) [MS3474W10-6P L/C](#) [ELVP16100E](#) [164-901-CD](#) [EN3545007SCE](#)
[BV002BSQ20049CZ](#) [BV002SSQ160404CZ](#) [BV002SSQ200404CZ](#) [1900ND05S1B00B](#) [166566-1](#) [1900ND04S1X00D](#) [ST-JL05-16S-C3-100](#)
[ST-JL05-20S-C1-100](#) [ST-JL05-20S-C2-100](#) [T01-CRIMP-S03](#) [APK-SA16A07-002](#) [27963-15T12](#) [CONT-JL05-08S-C2-10](#) [CONT-JL05-12S-](#)
[C1-10](#) [RC16M-23T](#) [RFD26L-1D28](#) [BV002ASJ16049CW](#) [JN1-22-20S-R-PKG100](#) [031-50565](#) [SJS861301M](#) [ST-JL05-16S-C1-100](#) [ST-JL05-](#)
[20P-C1-100](#) [82911466K](#) [192991-0087](#) [192900-0570](#) [ELFH07251](#) [T3P16FC3LZ](#) [ST-JL05-16S-C2-3500](#) [ZP-4016-10NF](#) [CONT-JL05-12P-](#)
[C1-10](#) [RM20M12G8D28](#) [031-50676](#) [12115010110](#) [RJFTVC2MG](#) [CAP-DACMDPC2](#) [031-50675-002](#) [CAP-DD1FDPC2](#) [CAP-DACMDPC1](#)
[031-50966-010](#) [ASSP-10-F-A-C-SA](#) [FB-00BSMA-TL7001](#)