

EV-T1G2C-1AC15A-4,0M14ASBK01 - AC charging cable



1627334

<https://www.phoenixcontact.com/pl/produkty/1627334>

Please be informed that the data shown in this PDF document is generated from our Online Catalog. Please find the complete data in the user documentation. Our General Terms of Use for Downloads are valid.



CHARX connect comfort, AC charging cable, with vehicle charging connector and open cable end, for charging electric vehicles (EV) with alternating current (AC) via type 1 vehicle charging inlets, with protective cap, Type 1, SAE J1772, housing: black, gray, PHOENIX CONTACT logo, cable: 4 m, black, straight

Product Description

AC charging cable with vehicle charging connector and free cable end for charging electric vehicles (EV) with alternating current (AC) via type 1 vehicle charging inlets, for installation at charging stations for e-mobility (EVSE)

Your advantages

- Complete product range
- Convenient handling due to the ergonomic, triple award-winning design
- Available with your logo on request – for consistent branding of your charging station
- Longitudinal water tightness reliably prevents water ingress
- Developed and produced in accordance with the IATF 16949 automotive standard and ISO 9001
- Tested in accordance with automotive standards LV124, LV214, and LV215-2
- Tested in accordance with EV Ready 37 requirements
- Laser-marked mating face in accordance with DIN EN 17186

Commercial Data

Item number	1627334
Packing unit	1 pc
Minimum order quantity	1 pc
Sales Key	XWBAAA
Product Key	XWBAAA
GTIN	4055626322230
Weight per Piece (including packing)	1,218 g
Weight per Piece (excluding packing)	1.17 g
Customs tariff number	85444290
Country of origin	PL

EV-T1G2C-1AC15A-4,0M14ASBK01 - AC charging cable



1627334

<https://www.phoenixcontact.com/pl/produkty/1627334>

Technical Data

Product properties

Product type	AC charging cable
Product family	CHARX connect comfort
Application	for charging electric vehicles (EV) with alternating current (AC) via type 1 vehicle charging inlets for installation at charging stations for electromobility (EVSE)
Type	AC charging cable with vehicle charging connector and open cable end
Design	with protective cap
Affixed logo	PHOENIX CONTACT logo
Charging mode	AC level 2
Charging standard	Type 1

Electrical properties

Type of charging current	AC single-phase
Charging power	3.75 kW
Charging current	15 A

Material specifications

Color (Housing)	black (9005)
	gray (7042)
	black (9005)
	black (9005)
	black (9005)

Cable/line

Cable length	4 m
Wiring standards/regulations	UL 62
	FFSO7.E343212
Cable weight	max. 155 kg/km
Cable type	straight
Cable structure	3 x 14 AWG + 1 x 20 AWG
External cable diameter	10.5 mm ±0.3 mm
Outer sheath, material	TPE
Stripping length of the sheath	70 mm ±5 mm
Cable resistance	≤ 0.00888 Ω/m (based on a power core, at an ambient temperature of 20°C)
Bending radius	min. 157.5 mm (15x diameter)
Cable length	4 m
Stripping length	70 mm ±5 mm
External cable diameter	10.5 mm ±0.3 mm
Wiring standards/regulations	UL 62

EV-T1G2C-1AC15A-4,0M14ASBK01 - AC charging cable



1627334

<https://www.phoenixcontact.com/pl/produkty/1627334>

	FFSO7.E343212
Cable resistance	$\leq 0.00888 \Omega/\text{m}$ (based on a power core, at an ambient temperature of 20°C)

Standards and regulations

Standards

Standards/regulations	SAE J1772
-----------------------	-----------

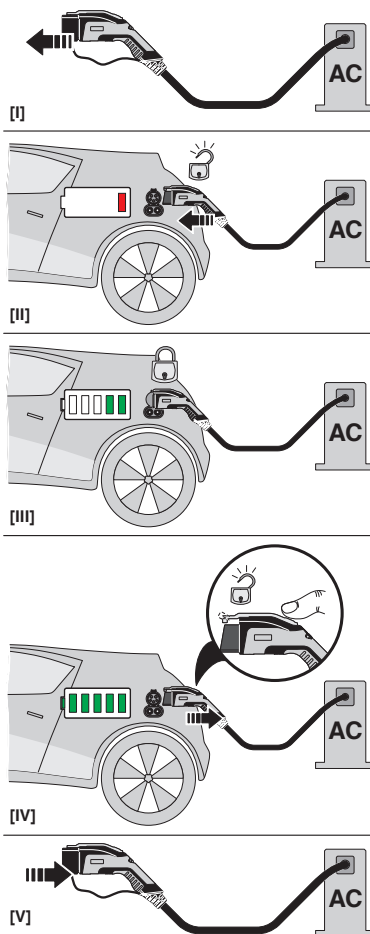
EV-T1G2C-1AC15A-4,0M14ASBK01 - AC charging cable

1627334

<https://www.phoenixcontact.com/pl/produkty/1627334>

Drawings

Schematic diagram



Operating instructions

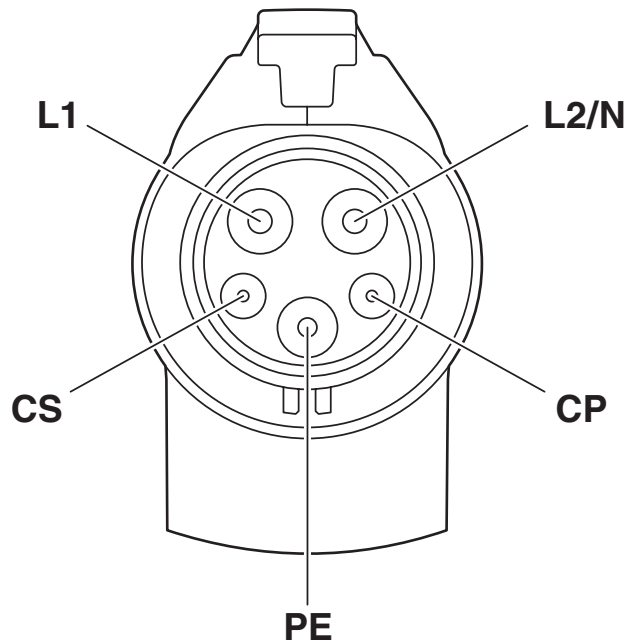
EV-T1G2C-1AC15A-4,0M14ASBK01 - AC charging cable



1627334

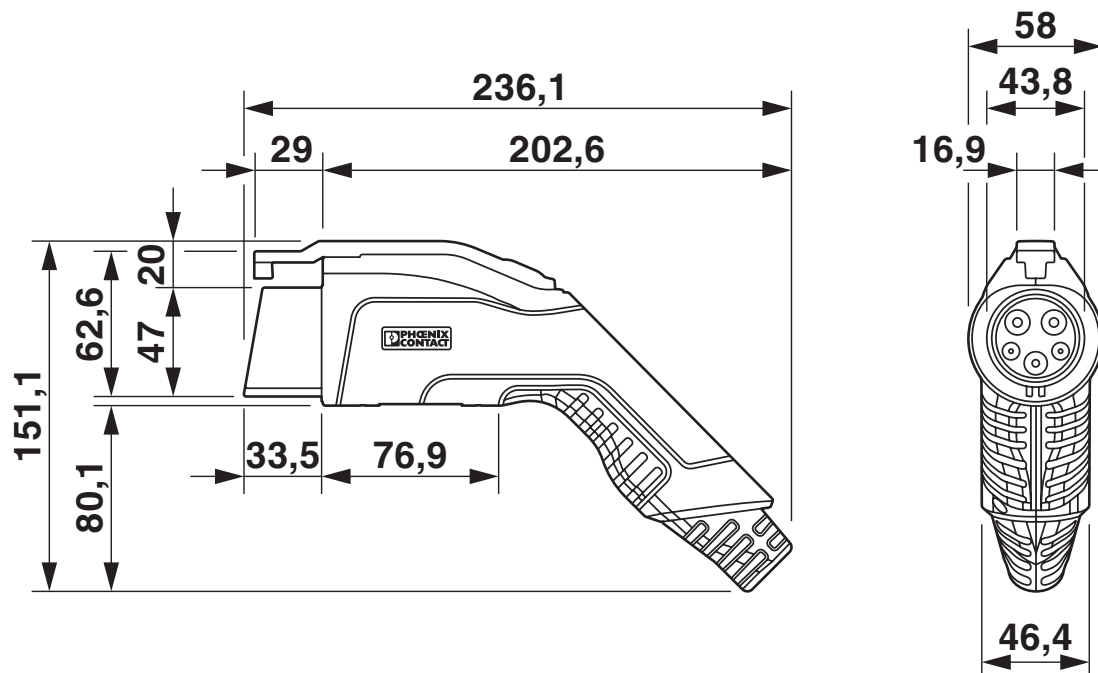
<https://www.phoenixcontact.com/pl/produkty/1627334>

Connection diagram



Pin assignment of the Vehicle Connector

Dimensional drawing



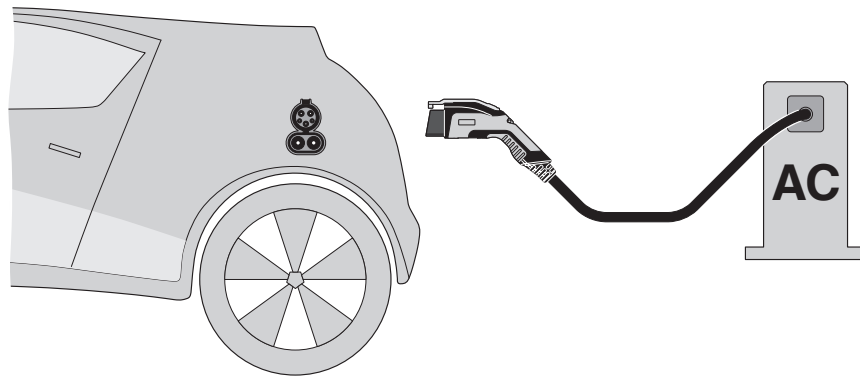
Make sure that the vehicle charging connector is placed in an appropriate charging connector holder, which ensures a minimum protection rating of IP24 in accordance with IEC 61851-1, for the entire time between charging. To create this charging connector holder, use the dimensions of the vehicle charging connector. Detailed dimensions can also be found in the Download area.

EV-T1G2C-1AC15A-4,0M14ASBK01 - AC charging cable

1627334

<https://www.phoenixcontact.com/pl/produkty/1627334>

Schematic diagram



Terminology definition


EV-T1G2C-1AC15A-4,0M14ASBK01 - AC charging cable



1627334

<https://www.phoenixcontact.com/pl/produkty/1627334>

Approvals

 cULus Recognized Approval ID: E473195-20160303	Nominal Voltage U_N	Nominal Current I_N	Cross Section AWG	Cross Section mm^2
	250 V	15 A	- 14	-

EV-T1G2C-1AC15A-4,0M14ASBK01 - AC charging cable



1627334

<https://www.phoenixcontact.com/pl/produkty/1627334>

Classifications

ECLASS

ECLASS-9.0	27144705
ECLASS-10.0.1	27144705
ECLASS-11.0	27144705

ETIM

ETIM 8.0	EC002897
----------	----------

UNSPSC

UNSPSC 21.0	39121500
-------------	----------

EV-T1G2C-1AC15A-4,0M14ASBK01 - AC charging cable



1627334

<https://www.phoenixcontact.com/pl/produkty/1627334>

Environmental Product Compliance

REACH SVHC	Lead 7439-92-1
China RoHS	Environmentally Friendly Use Period = 10;
	For information on hazardous substances, refer to the manufacturer's declaration available under "Downloads"

EV-T1G2C-1AC15A-4,0M14ASBK01 - AC charging cable



1627334

<https://www.phoenixcontact.com/pl/produkty/1627334>

Accessories

EV-T1AC-PARK - Charging connector holder

1624139

<https://www.phoenixcontact.com/pl/produkty/1624139>



CHARX connect, Charging connector holder, Accessories, for vehicle charging connectors on charging stations (EVSE), Type 1, SAE J1772, Front mounting, housing: black

G-INS-M20-S68N-PNES-BK - Cable gland

1411133

<https://www.phoenixcontact.com/pl/produkty/1411133>



Cable gland, material for screw connection: PA, external cable diameter 6 mm ... 12 mm, shielding: no, connecting thread: M20 x 1.5, color: jet black RAL 9005

Phoenix Contact 2023 © - all rights reserved

<https://www.phoenixcontact.com>

PHOENIX CONTACT Sp. z o.o.

ul. Bierutowska 57-59, Budynek nr 3/A

51-317 Wrocław

71/ 39 80 410

pxcpl@phoenixcontact.pl

X-ON Electronics

Largest Supplier of Electrical and Electronic Components

Click to view similar products for [EV Charging Cables](#) category:

Click to view products by [Phoenix Contact](#) manufacturer:

Other Similar products are found below :

[1627354](#) [1628198](#) [1623504](#) [1627999](#) [1628422](#) [1081401](#) [1627365](#) [1628379](#) [1627133](#) [1627355](#) [1623508](#) [35054781](#) [35268956](#) [35054784](#)
[35054782](#) [35054780](#) [35054788](#) [35058252](#) [73422795060](#) [73422795030](#) [ECCV6323-050S0A](#) [ECCV3223-050S0A](#) [ECCV3221-050S0A](#)
[J2CE8021-20S0A](#) [J2CE8021-25S0A](#) [J2CE8021-15S0A](#) [J2CE3221-25L0A](#) [J2CE4021-25L0A](#) [J2CE4821-15L0A](#) [J2CE4821-20L0A](#)
[J2CE4021-15L0A](#) [J2CE4021-20L0A](#) [J2CE3221-20L0A](#) [J2CE3221-15L0A](#) [J2CE4821-20L0A-179](#) [J2CE3221-25L0A-179](#) [J2CE4021-20L0A-](#)
[179](#) [J2CE4021-25L0A-179](#) [J2CE4021-15L0A-179](#) [J2CE4821-15L0A-179](#) [J2CE3221-15L0A-179](#) [J2CE3221-20L0A-179](#) [1013994](#) [1018701](#)
[1031379](#) [1051695](#) [1085631](#) [1085641](#) [1089931](#) [1085642](#)