

## Device connector, rear mounting - PRC 5-FT25-MC WO NUT - 1627609

Please be informed that the data shown in this PDF Document is generated from our Online Catalog. Please find the complete data in the user's documentation. Our General Terms of Use for Downloads are valid (<http://phoenixcontact.com/download>)




Circular connectors (device-side), Range of articles: PRC, Device connector, rear mounting, housing material: PPE, color: black, number of positions: 5, nom. voltage: 690 V AC, rated current: 35 A, Connection method: Crimp connection, Type of contact: Pin

### Your advantages

- ✓ Up to 75% smaller in size than industrial connectors with the same rating
- ✓ Locking mechanism can be unlocked manually or using a tool
- ✓ Ideal for indoor and outdoor use due to weatherproof materials
- ✓ Either pre-assembled or for assembly



### Key Commercial Data

Packing unit	50 pc
Minimum order quantity	50 pc
GTIN	 4 055626 337852
GTIN	4055626337852

### Technical data

#### General data

Number of positions	5
Protection class	II
Color	black
Locking type	Snap-in locking
Insertion/withdrawal cycles	50
Insertion force	40 N ±10 N
Degree of protection (not plugged in)	IP65 (Longitudinal watertightness, only in conjunction with contacts from the accessories range)
Degree of protection (when plugged in)	IP66 / IP68 (2m / 24h) / IP69K
Width	35 mm
Height	35 mm
Length	46.9 mm

# Device connector, rear mounting - PRC 5-FT25-MC WO NUT - 1627609

## Technical data

### Connection data

Rated current	35 A (With 6 mm <sup>2</sup> conductor cross section in accordance with IEC 61984)
	32 A (With 6 mm <sup>2</sup> conductor cross section in accordance with IEC 61535)
	21.4 A (With 6 mm <sup>2</sup> conductor cross section and 85 °C in accordance with 2 PfG 1915)
	30 A (With 6 mm <sup>2</sup> /AWG 10, in accordance with UL 2238)
Nominal voltage ATD	690 V AC (in accordance with IEC 61984)
	500 V AC (in accordance with IEC 61535/2 PfG 1915)
	600 V AC (In accordance with UL 2238)
Rated voltage (III/2)	690 V
Stripping length	12 mm
Torque	2.5 Nm ±0.1 Nm (Tightening torque nut)
Wrench size, union nut	32 mm
Type of contact	Pin
Stripping length of the sheath	12 mm
Connection method	Crimp connection
Degree of protection	IP66 / IP68 (2m / 24h) / IP69K
Insertion force	40 N ±10 N
Stripping length of the individual wire	12 mm

### Material data

Contact material	Cu alloy
Contact surface material	Ag
Contact carrier material	PPE
Housing material	PPE
Seal material	EPDM
O-ring material	Silicon
Color of the housing part	black

### Standards and Regulations

Flammability rating according to UL 94	V0
Safety note	<ul style="list-style-type: none"> <li>• WARNING: Commission properly functioning products only. The products must be regularly inspected for damage. Decommission defective products immediately. Replace damaged products. Repairs are not possible.</li> <li>• WARNING: Only electrically qualified personnel may install and operate the product. They must observe the following safety notes. The qualified personnel must be familiar with the basics of electrical engineering. They must be able to recognize and prevent danger. The relevant symbol on the packaging indicates that only personnel familiar with electrical engineering are allowed to install and operate the product.</li> <li>WARNING: The connectors may not be plugged in or disconnected under load. Ignoring the warning or improper use may damage persons and/or property.</li> <li>• Assembled products may not be manipulated or improperly opened.</li> </ul>

# Device connector, rear mounting - PRC 5-FT25-MC WO NUT - 1627609

## Technical data

### Standards and Regulations

	<ul style="list-style-type: none"> <li>• Only use mating connectors that are specified in the technical data of the standards listed (e.g. the ones listed in the product accessories online at <a href="https://www.phoenixcontact.com/products">phoenixcontact.com/products</a>).</li> </ul>
	<ul style="list-style-type: none"> <li>• When using the product in direct connection with third-party manufacturers, the user is responsible.</li> </ul>
	<ul style="list-style-type: none"> <li>• For operating voltages &gt; 50 V AC, conductive connector housings must be grounded</li> </ul>
	<ul style="list-style-type: none"> <li>• Ensure that the protective or functional ground has been properly connected.</li> </ul>
	<ul style="list-style-type: none"> <li>• VDE 0100/1.97 § 411.1.3.2 and DIN EN 60 204/11.98 § 14.1.3 are applicable when combining several circuits in a cable and/or connector</li> </ul>
	<ul style="list-style-type: none"> <li>• Observe the corresponding technical data. You will find information:                             <ul style="list-style-type: none"> <li>o On the product</li> <li>o On the packing label</li> <li>o In the supplied documentation</li> <li>o Online at <a href="https://www.phoenixcontact.com/products">phoenixcontact.com/products</a> under the product</li> </ul> </li> </ul>
	<ul style="list-style-type: none"> <li>• Only use tools recommended by Phoenix Contact</li> </ul>
	<ul style="list-style-type: none"> <li>• The installation notes/Design In documents online on the download page at <a href="https://www.phoenixcontact.com/products">phoenixcontact.com/products</a> must be observed for this product.</li> </ul>
	<ul style="list-style-type: none"> <li>• Use a protective cap to protect connectors that are not in use. The suitable accessories are available online in the accessory section of the product at <a href="https://www.phoenixcontact.com/products">phoenixcontact.com/products</a></li> </ul>
	<ul style="list-style-type: none"> <li>• Operate the connector only when it is fully plugged in.</li> </ul>
	<ul style="list-style-type: none"> <li>• Operate the connector only when it is fully plugged in and interlocked.</li> </ul>
	<ul style="list-style-type: none"> <li>• Ensure that when laying the cable, the tensile load on the connectors does not exceed the upper limit specified in the standards.</li> </ul>
	<ul style="list-style-type: none"> <li>• Observe the minimum bending radius of the cable. Lay the cable without twisting it.</li> </ul>
	<ul style="list-style-type: none"> <li>• The connector warms up in normal operation. Depending on the ambient conditions, the surface of the connector can continue to warm up. In this case, the user is responsible for posting warnings (e.g. DIN EN ISO 13732-1:2008-12).</li> </ul>

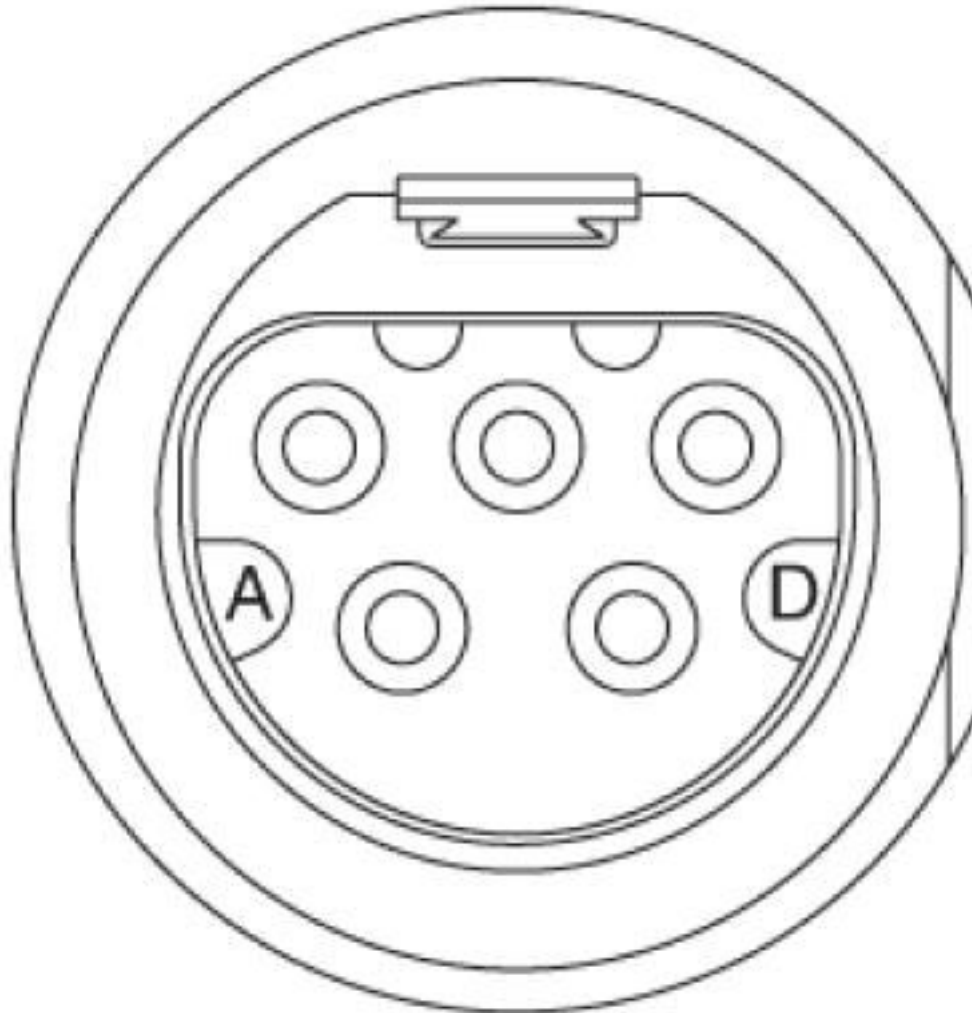
### Environmental Product Compliance

China RoHS	Environmentally friendly use period: unlimited = EFUP-e
	No hazardous substances above threshold values

## Drawings

# Device connector, rear mounting - PRC 5-FT25-MC WO NUT - 1627609

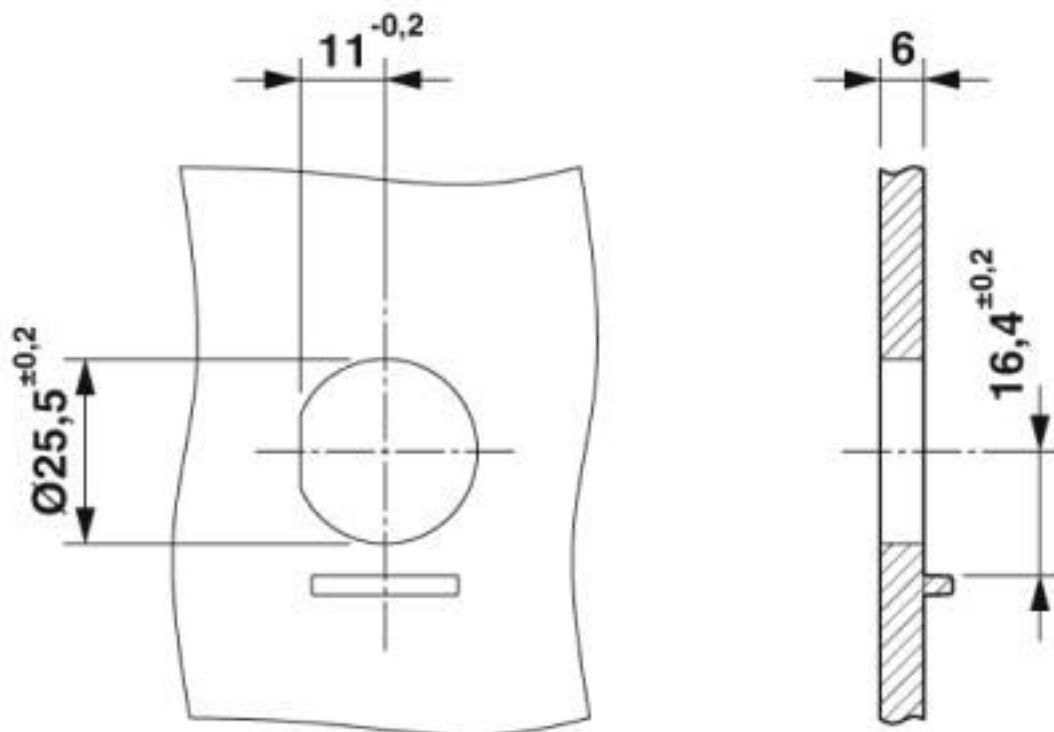
Schematic diagram



Connector pin assignment

# Device connector, rear mounting - PRC 5-FT25-MC WO NUT - 1627609

Dimensional drawing



Housing cutout

## Classifications

eCl@ss

eCl@ss 10.0.1	27440109
eCl@ss 4.0	27140800
eCl@ss 4.1	27140800
eCl@ss 5.0	27143400
eCl@ss 5.1	27143400
eCl@ss 6.0	27143400
eCl@ss 7.0	27440209
eCl@ss 8.0	27440102
eCl@ss 9.0	27440103

ETIM

ETIM 5.0	EC002061
ETIM 6.0	EC002061
ETIM 7.0	EC002635

## Approvals

Approvals

# Device connector, rear mounting - PRC 5-FT25-MC WO NUT - 1627609

## Approvals

---

Approvals

EAC

---

Ex Approvals

---

## Approval details

EAC		B.01687
-----	--	---------

## Accessories

### Accessories

#### Circular connector (cable-side)

Crimp contact - CK2,5-M-2,5 AG - 1409207



Circular connectors (cable-side), Range of articles: PRC, Crimp contact, max. conductor cross section: 2.5 mm<sup>2</sup>, Connection method: Crimp connection, Type of contact: Pin. Crimping recommendation: Crimp the conductors with the crimp contact in accordance with DIN EN 60352-2.

---

Crimp contact - CK2,5-M-4 AG - 1409208



Circular connectors (cable-side), Range of articles: PRC, Crimp contact, max. conductor cross section: 4 mm<sup>2</sup>, Connection method: Crimp connection, Type of contact: Pin. Crimp the wire with the crimp contact in accordance with DIN EN 60352-2

---

Crimp contact - CK2,5-M-6 AG - 1409209



Circular connectors (cable-side), Range of articles: PRC, Crimp contact, max. conductor cross section: 6 mm<sup>2</sup>, Connection method: Crimp connection, Type of contact: Pin. Crimp the wire with the crimp contact in accordance with DIN EN 60352-2

---

#### Circular connectors (device side)

## Device connector, rear mounting - PRC 5-FT25-MC WO NUT - 1627609

### Accessories

Nut - FT NUT M25 BK - 1457937



Circular connectors (device-side), Range of articles: PRC, Nut, color: black

---

Nut - FT NUT M25 GN - 1049830



Circular connectors (device-side), Range of articles: PRC, Nut, color: green

---

Nut - FT NUT M25 BU - 1049831



Circular connectors (device-side), Range of articles: PRC, Nut, color: blue

---

Nut - FT NUT M25 GY - 1049832



Circular connectors (device-side), Range of articles: PRC, Nut, color: gray

---

### Crimping tool

Crimping pliers - CRIMPFOX-1,6/2,5-ED-4,0 - 1687419



Crimping pliers, for turned contacts, CK 1.6 ED... and CK 2.5 ED...

---

## Device connector, rear mounting - PRC 5-FT25-MC WO NUT - 1627609

### Accessories

Crimping pliers - CRIMPFOX-4,0-ED-6,00 - 1205859



Crimping pliers, for CK 4,0... contacts, for 4.0 - 6.0 mm<sup>2</sup> conductor cross sections

---

### Protective cover

Protective cap - PRC COVER M - 1409237



Protective cover, Range of articles: PRC, Protective cap, housing material: PPE, color: black. Suitable for connectors (MS)

---

### Screwdriver tools

Screwdriver - SZF 1-0,6X3,5 - 1204517



Actuation tool, for ST terminal blocks, also suitable for use as a bladed screwdriver, size: 0.6 x 3.5 x 100 mm, 2-component grip, with non-slip grip

---

Screwdriver - SZF 0-0,4X2,5 - 1204504



Actuation tool, for ST terminal blocks, also suitable for use as a bladed screwdriver, size: 0.4 x 2.5 x 75 mm, 2-component grip, with non-slip grip

---

Phoenix Contact 2020 © - all rights reserved  
<http://www.phoenixcontact.com>

PHOENIX CONTACT GmbH & Co. KG  
Flachsmarktstr. 8  
32825 Blomberg  
Germany  
Tel. +49 5235 300  
Fax +49 5235 3 41200  
<http://www.phoenixcontact.com>



## X-ON Electronics

Largest Supplier of Electrical and Electronic Components

*Click to view similar products for [Solar Connectors / Photovoltaic Connectors](#) category:*

*Click to view products by [Phoenix Contact](#) manufacturer:*

Other Similar products are found below :

[1740699-7](#) [1971861-4](#) [1971131-4](#) [1971858-3](#) [1971861-3](#) [PV-090508-F03](#) [PV-090508-M10](#) [PV-CM-S 2 5-6 \(-\)](#) [2270184-3](#) [2270154-2](#)  
[2270226-4](#) [PV-090508-M06-N](#) [1987558-2](#) [PV-090506-F03](#) [UTXPM](#) [UTXPF](#) [UTXCMB6AM](#) [1627092](#) [1017635](#) [1017636](#) [1-2306314-1](#) [1-](#)  
[2306314-2](#) [1302440201](#) [1303450000](#) [PV-STICK+ VPE10](#) [2-1971862-2](#) [H4CMC6DM](#) [1705996](#) [1705995](#) [1971858-2](#) [5-2306317-2](#) [1704926](#)  
[H4CFC4DIS](#) [H4CFC4DC](#) [H4CFC4DM](#) [H4CFC6DM](#) [H4CFM2DI](#) [H4CFM6DI](#) [H4CMC2DI](#) [H4CMC8DM](#) [H4CMM6DI](#) [H4CMC4DMS](#)  
[H4CMC4DIS](#) [H4PF](#) [H4PM](#) [HGLUI](#) [PWJ-03BMMB-LL8001](#) [UTXCFA0AM](#) [UTXCFA4BMH](#) [UTXCMA0AM](#) [UTXCMA4AM](#)