

## Protective covers - EV-T2SC-EM - 1627635

Please be informed that the data shown in this PDF Document is generated from our Online Catalog. Please find the complete data in the user's documentation. Our General Terms of Use for Downloads are valid (<http://phoenixcontact.com/download>)



Protective covers, self-closing, front protective cover screw connection, For attaching to infrastructure charging sockets, Type 2, IEC 62196-2, Front mounting, Generation 1 Easy Mount, Embossed PHOENIX CONTACT logo

### Product Description

Self-closing protective cover for infrastructure socket outlet

### Your advantages

- Certified in accordance with IATF 16949:2016 and ISO 9001:2015
- Individual branding, thanks to the use your own logo
- Reliable protection of your socket outlet from weather and vandalism

### Key Commercial Data

Packing unit	1 pc
GTIN	
GTIN	4055626346083

### Technical data

#### Product definition

Type	self-closing
	front protective cover screw connection
Application	For attaching to infrastructure charging sockets
Affixed logo	Embossed PHOENIX CONTACT logo
Design	Generation 1 Easy Mount
Standards/regulations	IEC 62196-2
Charging standard	Type 2
Charging mode	Mode 3, Case B

#### Dimensions

Height	93.7 mm
Width	85 mm

## Protective covers - EV-T2SC-EM - 1627635

### Technical data

#### Dimensions

Depth	32.5 mm
Bore dimensions	60 mm x 60 mm

#### Ambient conditions

Ambient temperature (operation)	-30 °C ... 50 °C
Ambient temperature (storage/transport)	-40 °C ... 80 °C
Degree of protection	IP54
Degree of protection (IK)	IK08

#### Mounting

Possible mounting positions	Front mounting
	Front screw connection
Screws included in the scope of delivery	M4 cylinder head screws Torx-Plus 10IPR

#### Design

Design line	Generation 1 Easy Mount
Housing color	black
Customer variations	On request

#### Material

Material	Plastic
----------	---------

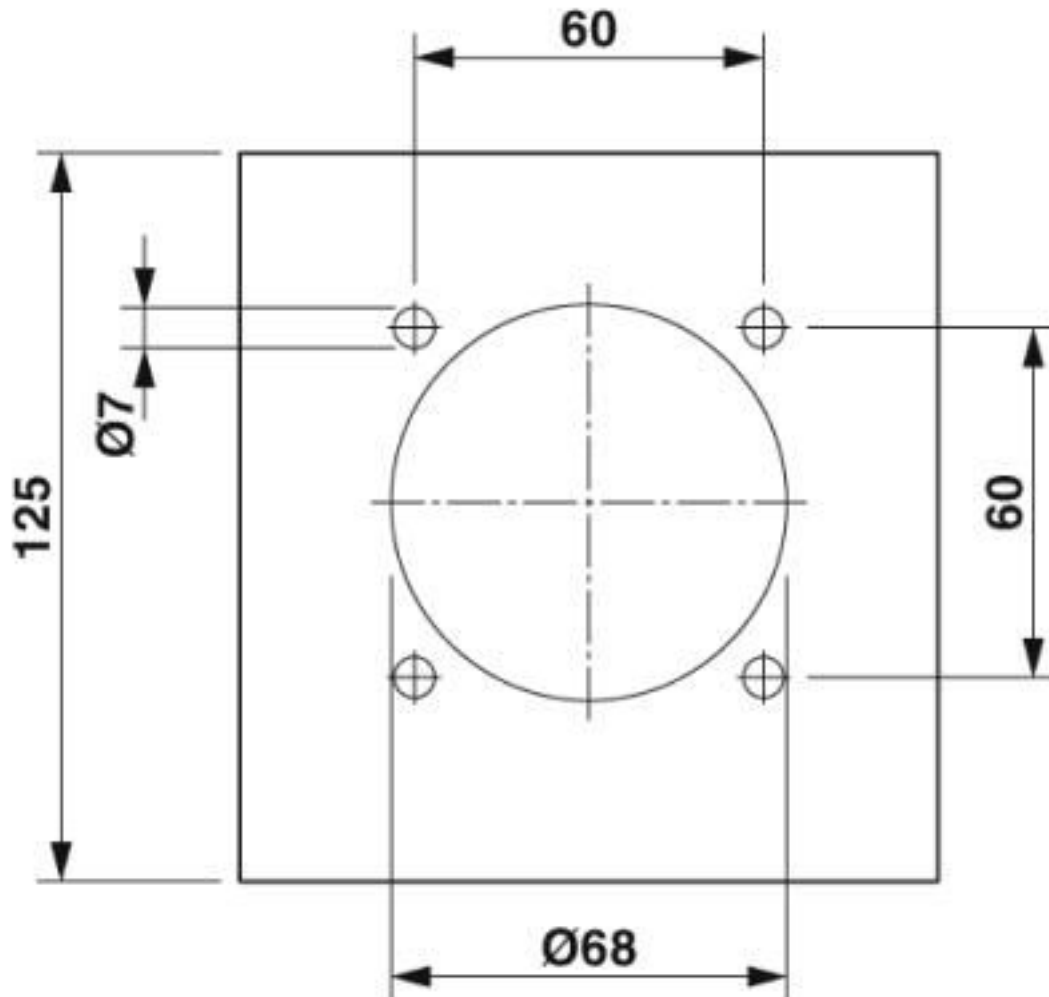
#### Environmental Product Compliance

REACH SVHC	Lead 7439-92-1
China RoHS	Environmentally friendly use period: unlimited = EFUP-e
	No hazardous substances above threshold values

### Drawings

## Protective covers - EV-T2SC-EM - 1627635

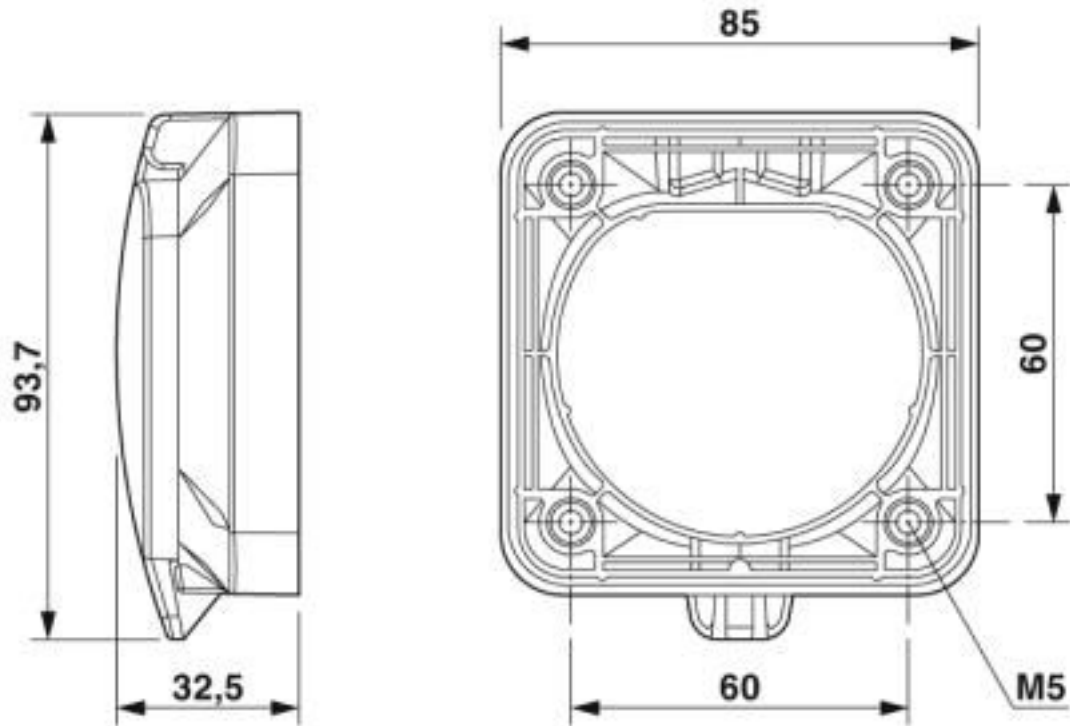
Dimensional drawing



Hole image

## Protective covers - EV-T2SC-EM - 1627635

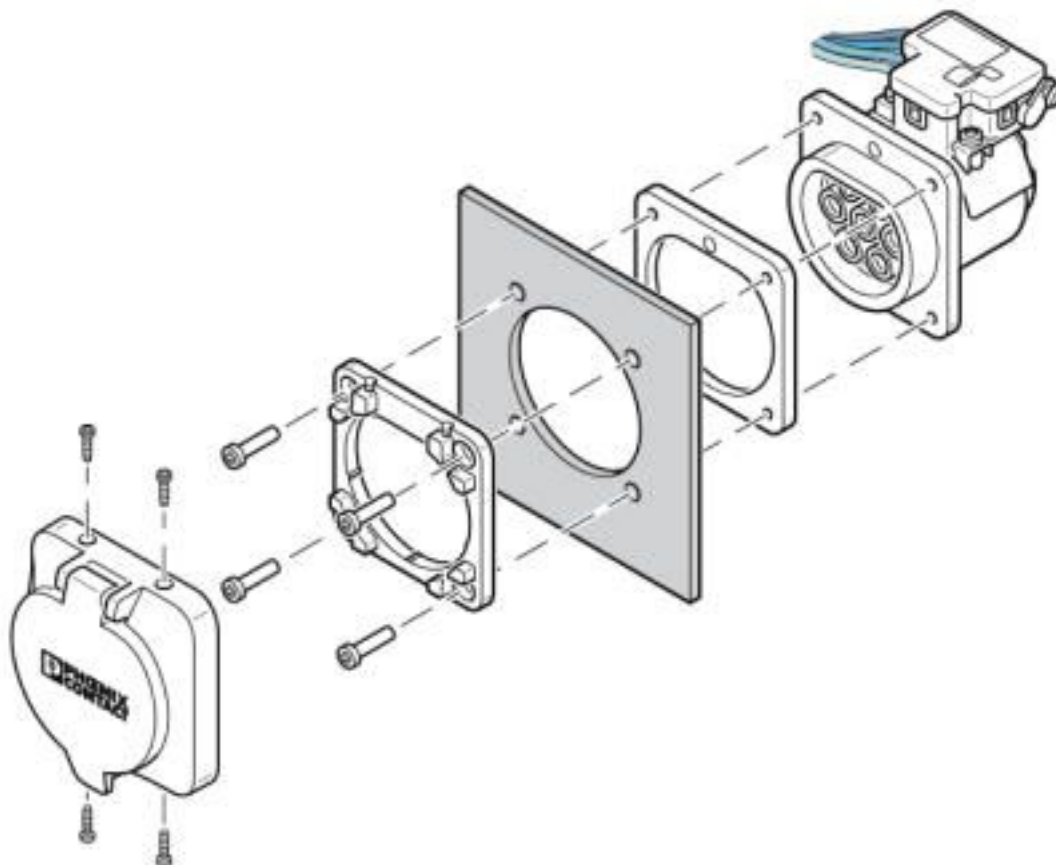
Dimensional drawing



Dimensional drawing

# Protective covers - EV-T2SC-EM - 1627635

Schematic diagram



### Rear mounting with front protective cover screw connection

The screw connection for a protective cover (EV-T2SC-EM) from the accessories range only supports front mounting with a corresponding fixing frame (EV-T2SF-EM). The panel thickness must not exceed 5 mm. The sealing frame that is slid on from the rear must contact the housing panel flush with the flat side and must completely surround the infrastructure socket outlet.

## Classifications

### eCl@ss

eCl@ss 10.0.1	27144792
eCl@ss 4.0	272607xx
eCl@ss 4.1	27260701
eCl@ss 5.0	27260701
eCl@ss 5.1	27059110
eCl@ss 6.0	27261200
eCl@ss 7.0	27440208
eCl@ss 8.0	27440208
eCl@ss 9.0	27144792

### ETIM

ETIM 2.0	EC000241
----------	----------

# Protective covers - EV-T2SC-EM - 1627635

## Classifications

### ETIM

ETIM 3.0	EC002061
ETIM 4.0	EC002061
ETIM 5.0	EC002314
ETIM 6.0	EC002884
ETIM 7.0	EC002884

### UNSPSC

UNSPSC 6.01	30211923
UNSPSC 7.0901	39121522
UNSPSC 11	39121522
UNSPSC 12.01	39121522
UNSPSC 13.2	39121522
UNSPSC 18.0	39121522
UNSPSC 19.0	39121522
UNSPSC 20.0	39121522
UNSPSC 21.0	39121522

## Accessories

### Accessories

#### Fixing frame

Fixing frame - EV-T2SF-EM - 1627637



Fixing frame, front protective cover screw connection, For attaching to infrastructure charging sockets, Type 2, IEC 62196-2, Front mounting, Generation 1 Easy Mount, Without logo

#### Infrastructure socket outlet

Socket Outlet - EV-T2M3SE12-3AC32A-0,7M6,0E14 - 1627693



Socket Outlet, front protective cover screw connection, Optimized insertion and withdrawal forces, For charging electric vehicles (EV) with alternating current (AC), Compatible with infrastructure charging plugs, Type 2, IEC 62196-2, 32 A / 480 V (AC), Single wires, length: 0.7 m, Locking actuator: 12 V, 4-position, Rear panel mounting, Generation 1 Easy Mount, "PHOENIX CONTACT" logo

## Protective covers - EV-T2SC-EM - 1627635

### Accessories

Socket Outlet - EV-T2M3SE12-3AC32A-0,7M6,0E12 - 1627633



Socket Outlet, front protective cover screw connection, For charging electric vehicles (EV) with alternating current (AC), Compatible with infrastructure charging plugs, Type 2, IEC 62196-2, 32 A / 480 V (AC), Single wires, length: 0.7 m, Locking actuator: 12 V, 4-position, Rear panel mounting, Generation 1 Easy Mount, "PHOENIX CONTACT" logo

---

Phoenix Contact 2020 © - all rights reserved  
<http://www.phoenixcontact.com>

PHOENIX CONTACT GmbH & Co. KG  
Flachsmarktstr. 8  
32825 Blomberg  
Germany  
Tel. +49 5235 300  
Fax +49 5235 3 41200  
<http://www.phoenixcontact.com>

## X-ON Electronics

Largest Supplier of Electrical and Electronic Components

*Click to view similar products for [Automotive Connectors](#) category:*

*Click to view products by [Phoenix Contact](#) manufacturer:*

Other Similar products are found below :

[003-018-000](#) [60403001](#) [60993906-B](#) [M902-2131](#) [M902-2161](#) [72.330.1035.1](#) [73.353.4028.0](#) [F119300-B](#) [F166900](#) [F258300-B](#) [F358300-B](#)  
[F407400](#) [F444110](#) [F487000](#) [F509500B-B](#) [827153-1](#) [8N1515-32-24P](#) [9-1326729-8](#) [925474-1](#) [928905-1](#) [964562-4](#) [968782-1](#) [GT17SA-8DS-](#)  
[HU](#) [98891-1012](#) [98947-1016](#) [12004147](#) [12004475-L](#) [12010290](#) [12010309-B](#) [12015454](#) [12020219-B](#) [12020308](#) [12041318-B](#) [12052466](#)  
[12059125](#) [12064869](#) [12004327-B](#) [12010503-B](#) [12015308](#) [12015384](#) [12015909](#) [1-21030-1](#) [12041254](#) [12041318](#) [12047946-B](#) [12047957](#)  
[12047957-L](#) [12059473](#) [12066261](#) [12110546](#)