

Panel feed-through - Q 0,75/3FL/ 9-M16KU-ESA - 1640634

Please be informed that the data shown in this PDF Document is generated from our Online Catalog. Please find the complete data in the user's documentation. Our General Terms of Use for Downloads are valid (<http://phoenixcontact.com/download>)



QUICKON panel feed-through, for external wall mounting with manual solder/slip-on connection, 2.8 x 0.8 mm, 3-pos.

Key Commercial Data

Packing unit	10 pc
GTIN	
GTIN	4017918188740

Technical data

General

Connection	If the conductor is reconnected, it must be cut off above the last contact point. QUICKON components may only be operated when under no load.
Color	green
Locking type	Screw locking
Connection method	QUICKON connection Manual solder/slip on connection
Number of positions	3
Wrench size, union nut	19 mm
Tightening torque, union nut	2.5 Nm
Wrench size, contact carrier	19 mm
Tightening torque contact carrier	3.75 Nm
Tightening torque, counter nut	3.75 Nm
Number of connections	3
Conductor cross section flexible min.	0.34 mm ²
Conductor cross section flexible max.	0.75 mm ²
Conductor cross section solid min.	0.34 mm ²
Conductor cross section solid max.	0.75 mm ²

Panel feed-through - Q 0,75/3FL/ 9-M16KU-ESA - 1640634

Technical data

General

Conductor cross section AWG min.	22
Conductor cross section AWG max.	18

Cabel

Structure of individual litz in acc. with VDE 0295 / smallest wire diameter	Class 2-6 // 0.34 mm ² : 0.1 mm; 0.5 - 0.75 mm ² : 0.15 mm
Wire insulation material	PVC / PE
Wire diameter including insulation	2.5 mm
Position marking	1, 2, 3

Ambient conditions

Degree of protection	IP65
	IP67
Ambient temperature (operation)	-25 °C ... 80 °C (Specifications of the cable manufacturer must be observed.)
	-25 °C ... 50 °C (when the conductor is connected. Specifications of the cable manufacturer must also be observed.)
Temperature when conductor connected	-5 °C ... 50 °C

Electrical characteristics

Nominal current I _N	9 A
Nominal voltage U _N	160 V AC
	160 V DC
Rated voltage (III/3)	160 V
Note on the rated voltage (III/3)	with insulating sleeve
Rated voltage (III/2)	160 V
Note on the rated voltage (III/2)	with insulating sleeve
Rated voltage (II/2)	320 V
Note on the rated voltage (II/2)	with insulating sleeve
Rated surge voltage (III/3)	4 kV

Mechanical characteristics

QUICKON connectability	10 (if the conductor is connected more than once, seal and cap may need to be replaced.)
PC QUICKON thread type	M16 x 1.5
Impact category	3

Material data

Contact material	Cu alloy
Contact surface material	Pre-nickel plated and tin-plated
Contact carrier material	PA
Flammability rating according to UL 94	V0
Overvoltage category	III
Degree of pollution	3

Standards and Regulations

Panel feed-through - Q 0,75/3FL/ 9-M16KU-ESA - 1640634

Technical data

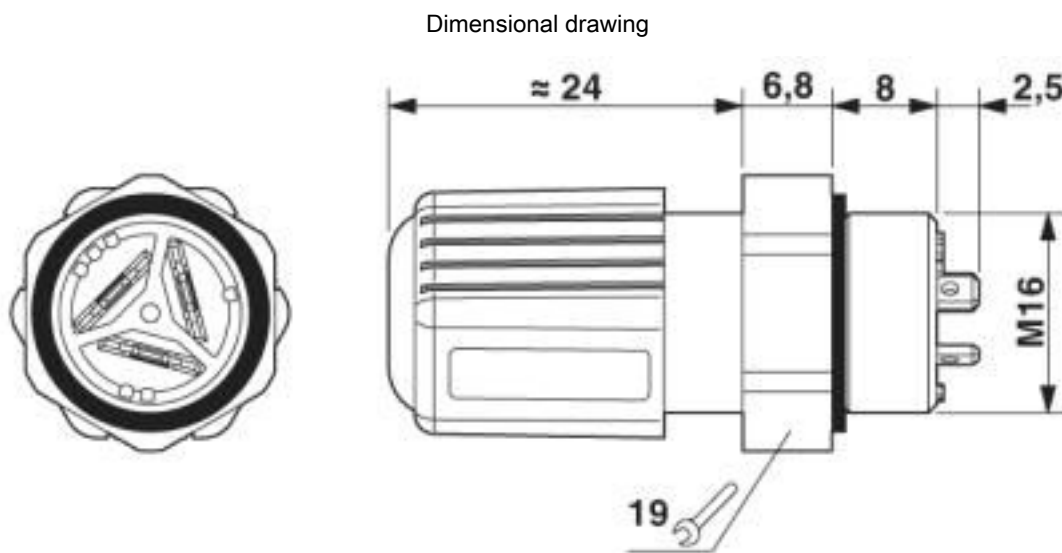
Standards and Regulations

Connection in acc. with standard	CUL
Flammability rating according to UL 94	V0

Environmental Product Compliance

China RoHS	Environmentally Friendly Use Period = 50 years
	For details about hazardous substances go to tab "Downloads", Category "Manufacturer's declaration"

Drawings



Classifications

eCl@ss

eCl@ss 10.0.1	27440602
eCl@ss 4.0	27140800
eCl@ss 4.1	27140800
eCl@ss 5.0	27143400
eCl@ss 5.1	27143400
eCl@ss 6.0	27143400
eCl@ss 7.0	27440602
eCl@ss 8.0	27440602
eCl@ss 9.0	27440602

ETIM

ETIM 2.0	EC001297
ETIM 3.0	EC000516
ETIM 4.0	EC000516

Panel feed-through - Q 0,75/3FL/ 9-M16KU-ESA - 1640634

Classifications

ETIM

ETIM 5.0	EC002566
ETIM 6.0	EC002566
ETIM 7.0	EC002566

UNSPSC

UNSPSC 6.01	30211923
UNSPSC 7.0901	39121522
UNSPSC 11	39121522
UNSPSC 12.01	39121522
UNSPSC 13.2	39121413
UNSPSC 18.0	39121522
UNSPSC 19.0	39121522
UNSPSC 20.0	39121522
UNSPSC 21.0	39121522

Approvals


Approvals


Approvals

UL Recognized / cUL Recognized / EAC / EAC / EAC / cULus Recognized

Ex Approvals

Approval details

UL Recognized		http://database.ul.com/cgi-bin/XYV/template/LISEXT/1FRAME/index.htm	FILE E 118976
Nominal voltage UN		250 V	
Nominal current IN		9 A	

cUL Recognized		http://database.ul.com/cgi-bin/XYV/template/LISEXT/1FRAME/index.htm	FILE E 118976
Nominal voltage UN		250 V	
Nominal current IN		6 A	

Panel feed-through - Q 0,75/3FL/ 9-M16KU-ESA - 1640634

Approvals

EAC		EAC-Zulassung
-----	--	---------------

EAC		RU C- DE.A*30.B.01102
-----	--	--------------------------

EAC		RU C- DE.BL08.B.00511
-----	--	--------------------------

cULus Recognized		
------------------	--	--

Accessories

Accessories

Electronics pliers

Diagonal cutter - MICROFOX-SB - 1212489



Electronic diagonal cutter, round head, without chamfer, with opening spring, mirror-polished and oiled, 2-component grip, cutting capacity: soft 0.2 - 2.0 mm; medium hard 1.2 mm; hard 0.5 mm diameter

Insulating sleeve

Insulating sleeve - PT/FS 2,8 - 1406700

Insulating sleeve, as touch protection, slide onto the conductor before for 2.8 slip-on sleeves



Mounting material

Panel feed-through - Q 0,75/3FL/ 9-M16KU-ESA - 1640634

Accessories

Nut - Q-MU M16 - 1640692



Nut (plastic) to lock the contact carrier from the inside of the device

Mounting material - Q SET- 9 DI/KR - 1640362



Seal/Collar replacement set Pg9

Sealing plugs

Filler plugs - Q-PROT 9/11 - 1670235



Closing cap for Pg9/Pg11 to close unoccupied connections

Socket spanner

Socket wrench - QSS 19 - 1670895



Socket wrench, for tightening and unscrewing the QUICKON union nut, wrench size 19 mm

Phoenix Contact 2020 © - all rights reserved
<http://www.phoenixcontact.com>

PHOENIX CONTACT GmbH & Co. KG
Flachsmarktstr. 8
32825 Blomberg
Germany
Tel. +49 5235 300
Fax +49 5235 3 41200
<http://www.phoenixcontact.com>

X-ON Electronics

Largest Supplier of Electrical and Electronic Components

Click to view similar products for [Circular Metric Connectors](#) category:

Click to view products by [Phoenix Contact](#) manufacturer:

Other Similar products are found below :

[600X518037X](#) [6STD15PCR99B70A](#) [8R4000A16M020](#) [8R5000A16M005](#) [1200910002](#) [1203580030](#) [1200910008](#) [1200910011](#) [1300140094](#)
[130203-0054](#) [1300140026](#) [1300150099](#) [RF-12S1N8A90DU](#) [1-3637-600-5205](#) [1612618](#) [21036836414](#) [8R4006A16M010](#) [1604232](#)
[1R3006A20M005](#) [RF-12P1N8A90DU](#) [41-40011](#) [42-00006](#) [42-01015](#) [4-22279-4](#) [4-22281-1](#) [4-22284-9](#) [43-00113](#) [43-01088](#) [43-01203](#) [41-](#)
[40013](#) [42-00008](#) [43-00343](#) [43-01026](#) [43-01162](#) [43-01173](#) [43-10000](#) [XS3P-M421-2](#) [600X518050X](#) [SACC-DSI-FS-5P-PG9-L180 SC](#)
[8R5006A16M020](#) [8R5006A16M005](#) [8R4000A16M010](#) [6-22279-3](#) [1605332](#) [N03FA03144](#) [1300140077](#) [43-16213](#) [43-01338](#) [XS2RD4265](#)
[XS2R-D426-1](#)