

Valve connectors - SACC-VQ-4CON-0,75-A-VER - 1640799

Please be informed that the data shown in this PDF Document is generated from our Online Catalog. Please find the complete data in the user's documentation. Our General Terms of Use for Downloads are valid (<http://phoenixcontact.com/download>)



Sensor Actuator Plug, 4 position, valve connector type A, with QUICKON connection, mit power amplifier with zener diode, cross section from 0.34 to 0.75 sq mm, with one cable intake for round cables from 4 to 7 mm

Key Commercial Data

Packing unit	1 pc
GTIN	
GTIN	4017918180959
Sales Key	02

Technical data

Dimensions

External diameter	4 mm ... 7 mm
-------------------	---------------

Ambient conditions

Degree of protection	IP65
----------------------	------

General

Rated current at 40°C	2 A
Rated voltage	30 V DC
Number of positions	4
Coding	A - standard
Status display	LED red
Protective circuit/component	Power amplifier with zener diode
Overvoltage category	II
Degree of pollution	3
Connection method	QUICKON
Conductor cross section	0.34 mm ² ... 0.75 mm ²
Wire diameter incl. insulation	≤ 2.5 mm
Frequency of connections between conductors of the same cross section	10 (if the conductor is connected more than once, seal and cap may need to be replaced)
Wire insulation material	PVC / PE
Tightening torque, union nut	2.5 Nm
Structure of individual litz in acc. with VDE 0295 / smallest wire diameter	Class 2-5

Valve connectors - SACC-VQ-4CON-0,75-A-VER - 1640799

Technical data

Material

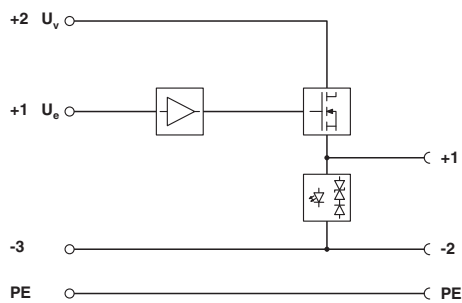
Flammability rating according to UL 94	HB
Contact material	CuSn
Contact surface material	Ag

Standards and Regulations

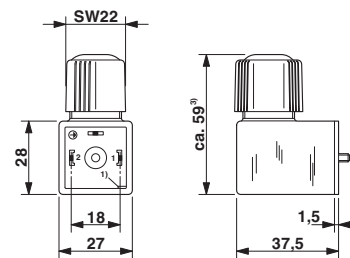
Flammability rating according to UL 94	HB
--	----

Drawings

Circuit diagram



Dimensional drawing



Approvals

Approvals

Approvals

EAC

Ex Approvals

Approval details

EAC		EAC-Zulassung
-----	--	---------------

Phoenix Contact 2018 © - all rights reserved
<http://www.phoenixcontact.com>

PHOENIX CONTACT GmbH & Co. KG
Flachmarktstr. 8
32825 Blomberg
Germany
Tel. +49 5235 300
Fax +49 5235 3 41200
<http://www.phoenixcontact.com>

X-ON Electronics

Largest Supplier of Electrical and Electronic Components

Click to view similar products for [Circular Metric Connectors](#) category:

Click to view products by [Phoenix Contact](#) manufacturer:

Other Similar products are found below :

[600X518037X](#) [6STD15PCR99B70A](#) [8R4000A16M020](#) [8R5000A16M005](#) [1200910002](#) [1203580030](#) [1200910008](#) [1200910011](#) [1300140094](#)
[130203-0054](#) [1300140026](#) [1300150099](#) [RF-12S1N8A90DU](#) [1-3637-600-5205](#) [1612618](#) [21036836414](#) [8R4006A16M010](#) [1604232](#)
[1R3006A20M005](#) [RF-12P1N8A90DU](#) [41-40011](#) [42-00006](#) [42-01015](#) [4-22279-4](#) [4-22281-1](#) [4-22284-9](#) [43-00113](#) [43-01088](#) [43-01203](#) [41-](#)
[40013](#) [42-00008](#) [43-00343](#) [43-01026](#) [43-01162](#) [43-01173](#) [43-10000](#) [XS3P-M421-2](#) [600X518050X](#) [SACC-DSI-FS-5P-PG9-L180 SC](#)
[8R5006A16M020](#) [8R5006A16M005](#) [8R4000A16M010](#) [6-22279-3](#) [1605332](#) [N03FA03144](#) [1300140077](#) [43-16213](#) [43-01338](#) [XS2RD4265](#)
[XS2R-D426-1](#)