

# Connector - HC-A3-BUQ1,5-KML-G-PA - 1641617


Please be informed that the data shown in this PDF Document is generated from our Online Catalog. Please find the complete data in the user's documentation. Our General Terms of Use for Downloads are valid (<http://phoenixcontact.com/download>)



HEAVYCON QUICKON coupling housing A3, with single locking latch, 3-pos., with PE connection, socket, QUICKON connection, straight cable outlet



## Key Commercial Data

Packing unit	1 pc
GTIN	 4 017918 899370
GTIN	4017918899370

## Technical data

### General

Connection	If the conductor is reconnected, it must be cut off above the last contact point. QUICKON components may only be operated when under no load.
Assembly instructions	This product is only intended for use outdoors.
Type	Socket
	D7
Housing type	Complete housing
Locking type	with single locking latch
Connection method	QUICKON connection
	QUICKON fast connection
Number of positions	3
Wrench size, union nut	19 mm
Tightening torque, union nut	3 Nm
Conductor cross section flexible min.	0.75 mm <sup>2</sup>
Conductor cross section flexible max.	1.5 mm <sup>2</sup>
Conductor cross section AWG min.	18
Conductor cross section AWG max.	16

### Cabel

# Connector - HC-A3-BUQ1,5-KML-G-PA - 1641617

## Technical data

### Cabel

Structure of individual litz in acc. with VDE 0295 / smallest wire diameter	VDE 0295 Cl.2-5, min. wire diameter 0.2 mm
Wire insulation material	PVC / PE
Wire diameter including insulation	1.8 mm ... 3 mm
External cable diameter	6 mm ... 12 mm

### Ambient conditions

Degree of protection (IP)	IP65
Ambient temperature (operation)	-25 °C ... 80 °C
Ambient temperature (storage/transport)	-25 °C ... 80 °C
Temperature when conductor connected	-5 °C ... 50 °C (specifications of the cable manufacturer must also be observed)

### Electrical characteristics

Rated current	10 A
Note on the rated voltage (III/3)	230/400 V
Rated surge voltage (III/3)	4 kV
Rated surge voltage (III/2)	4 kV
Rated surge voltage (II/2)	4 kV

### Mechanical characteristics

QUICKON connectability	10 (For the same conductor cross section)
Insertion/withdrawal cycles	>= 500

### Material data

Contact material	Copper alloy
Contact surface material	Ag
Contact carrier material	PA / PC
Insulating material	PA
Flammability rating according to UL 94	V0
Overvoltage category	III
Degree of pollution	3

### Standards and Regulations

Connection in acc. with standard	CUL
Flammability rating according to UL 94	V0

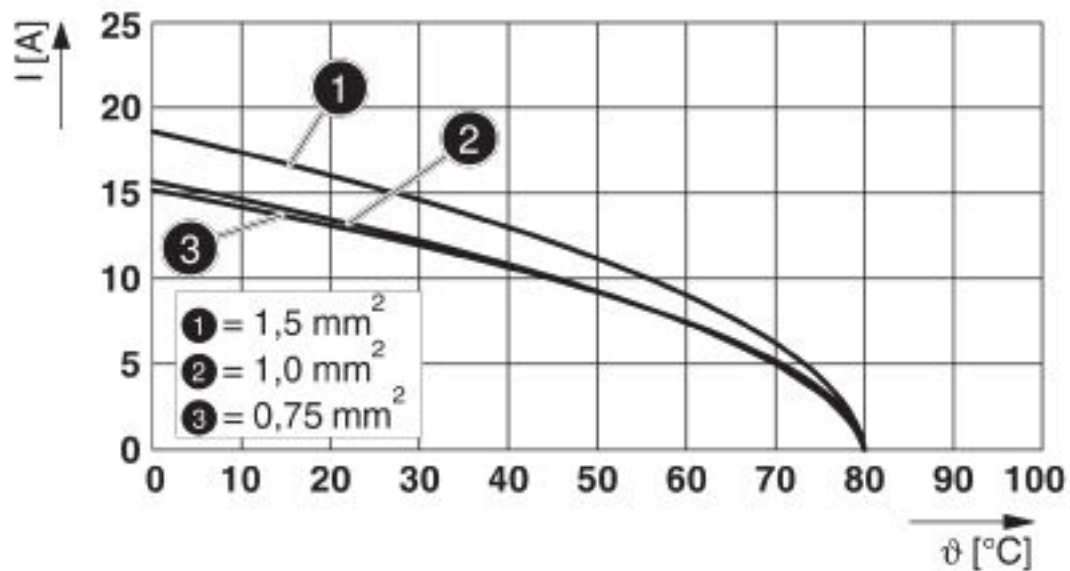
### Environmental Product Compliance

China RoHS	Environmentally Friendly Use Period = 50 years
	For details about hazardous substances go to tab "Downloads", Category "Manufacturer's declaration"

## Drawings

# Connector - HC-A3-BUQ1,5-KML-G-PA - 1641617

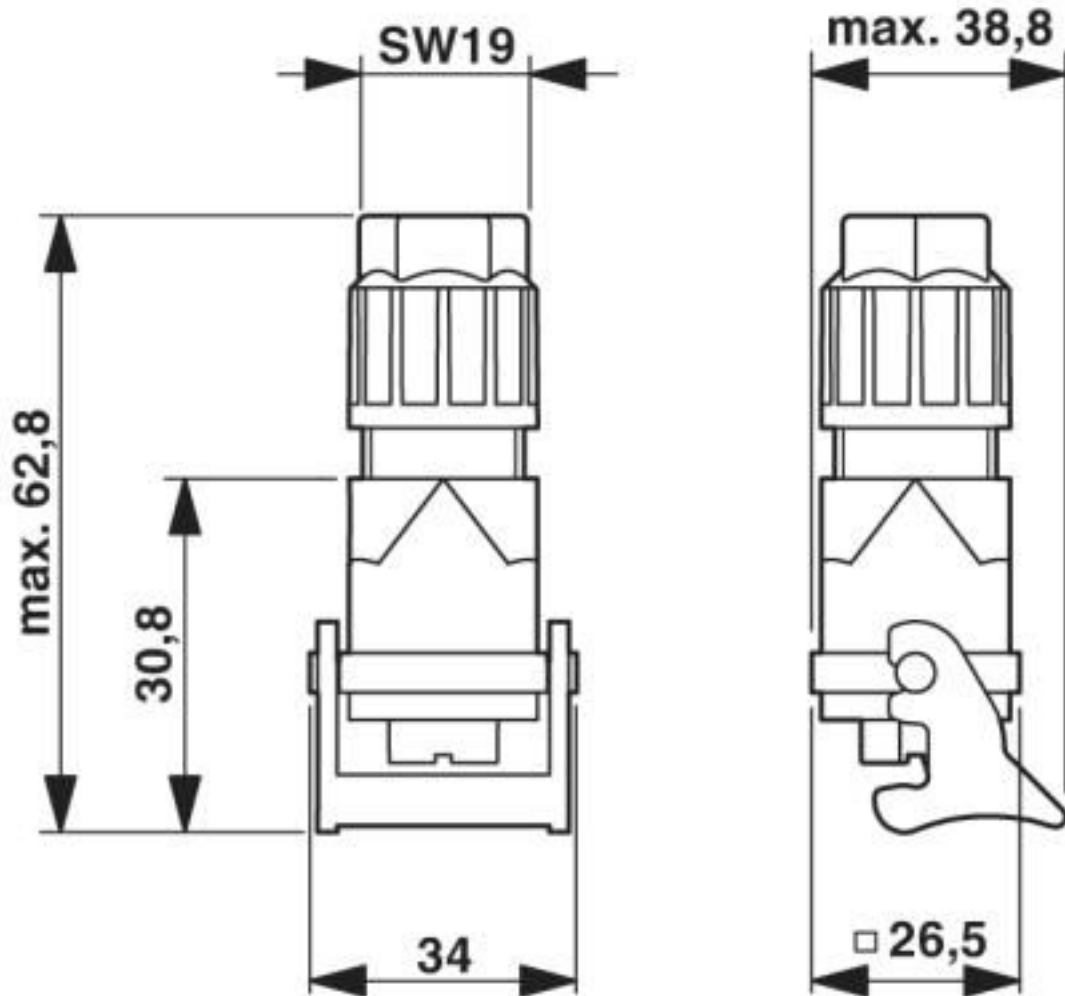
Diagram



Derating diagram

# Connector - HC-A3-BUQ1,5-KML-G-PA - 1641617

Dimensional drawing



Dimensional drawing

## Classifications

eCl@ss

eCl@ss 10.0.1	27440101
eCl@ss 4.0	27140800
eCl@ss 4.1	27140800
eCl@ss 5.0	27143400
eCl@ss 5.1	27261200
eCl@ss 6.0	27261200
eCl@ss 7.0	27440205
eCl@ss 8.0	27440205
eCl@ss 9.0	27440101

# Connector - HC-A3-BUQ1,5-KML-G-PA - 1641617

## Classifications

### ETIM

ETIM 2.0	EC000516
ETIM 3.0	EC000516
ETIM 4.0	EC000516
ETIM 5.0	EC000438
ETIM 6.0	EC002636
ETIM 7.0	EC002636

### UNSPSC

UNSPSC 6.01	30211923
UNSPSC 7.0901	39121522
UNSPSC 11	39121522
UNSPSC 12.01	39121522
UNSPSC 13.2	31261501
UNSPSC 18.0	39121409
UNSPSC 19.0	39121409
UNSPSC 20.0	39121409
UNSPSC 21.0	39121409

## Approvals


### Approvals

#### Approvals

UL Recognized / cUL Recognized / EAC / DNV GL / EAC / cULus Recognized

#### Ex Approvals

### Approval details

UL Recognized		<a href="http://database.ul.com/cgi-bin/XYV/template/LISEXT/1FRAME/index.htm">http://database.ul.com/cgi-bin/XYV/template/LISEXT/1FRAME/index.htm</a>	FILE E 118976
Nominal voltage UN	600 V		
Nominal current IN	10 A		
mm <sup>2</sup> /AWG/kcmil	18-16		

# Connector - HC-A3-BUQ1,5-KML-G-PA - 1641617

## Approvals

cUL Recognized		<a href="http://database.ul.com/cgi-bin/XYV/template/LISEXT/1FRAME/index.htm">http://database.ul.com/cgi-bin/XYV/template/LISEXT/1FRAME/index.htm</a>	FILE E 118976
Nominal voltage UN		600 V	
Nominal current IN		10 A	
mm <sup>2</sup> /AWG/kcmil		18-16	

EAC		RU C-DE.AI30.B.01102
-----	--	----------------------

DNV GL		<a href="https://approvalfinder.dnvgl.com/">https://approvalfinder.dnvgl.com/</a>	TAE000037S
--------	--	---	------------

EAC		EAC-Zulassung
-----	--	---------------

cULus Recognized	
------------------	--

## Accessories

### Accessories

#### Cable connector

Conductor connectors - Q 1,5/4IDC/24-24KU-KU BK PE - 1642182



QUICKON cable connector, black, 3+PE-pos., 0.75 mm<sup>2</sup> ... 1.5 mm<sup>2</sup> /500 V/15 A, for a cable diameter of 6 mm ... 12 mm.

### Electronics pliers

## Connector - HC-A3-BUQ1,5-KML-G-PA - 1641617

### Accessories

Diagonal cutter - MICROFOX-SB - 1212489



Electronic diagonal cutter, round head, without chamfer, with opening spring, mirror-polished and oiled, 2-component grip, cutting capacity: soft 0.2 - 2.0 mm; medium hard 1.2 mm; hard 0.5 mm diameter

---

### Socket spanner

Socket wrench - QSS 19 - 1670895



Socket wrench, for tightening and unscrewing the QUICKON union nut, wrench size 19 mm

---

### Additional products

Connector - HC-A3-STQ1,5-TFL-G-PA - 1641581



HEAVYCON QUICKON sleeve housing A3, for single locking latch, 3-pos., with PE connection, plug, QUICKON connection, straight cable outlet

---

Phoenix Contact 2020 © - all rights reserved  
<http://www.phoenixcontact.com>

PHOENIX CONTACT GmbH & Co. KG  
Flachsmarktstr. 8  
32825 Blomberg  
Germany  
Tel. +49 5235 300  
Fax +49 5235 3 41200  
<http://www.phoenixcontact.com>

## X-ON Electronics

Largest Supplier of Electrical and Electronic Components

*Click to view similar products for [Heavy Duty Power Connectors](#) category:*

*Click to view products by [Phoenix Contact](#) manufacturer:*

Other Similar products are found below :

[647757-1](#) [6643411-1](#) [6646058-2](#) [6646137-1](#) [6646138-1](#) [6646479-1](#) [6646608-1](#) [6646786-1](#) [6646940-1](#) [6651091-1](#) [6651525-1](#) [6651529-1](#)  
[6651788-1](#) [696475-1](#) [702-32-01109](#) [703-25-02205](#) [73000005059](#) [73000005642](#) [73080255059](#) [73080965046](#) [765-15-0080A](#) [765-16-0080B](#)  
[765-18-0080D](#) [829992-1](#) [902-77-02113](#) [PS00/A0620/6300](#) [PS25/A0420/63](#) [129-1J](#) [1409400](#) [AN0024023](#) [E6374G1](#) [e6389g2](#) [157-43GW8](#)  
[MS3117-14AC](#) [1643543-1](#) [1650540-1](#) [1651811-2](#) [1766260-1](#) [1766282-1](#) [1766966-1](#) [1791340000](#) [NLDFT-3-BL-L-S120-M40A](#) [NLDFT-N-](#)  
[W-L-C240-M40B](#) [NLS-2-R-C240-M40B](#) [NLS-N-W-C240-M40B](#) [NPS-3-BL-T6](#) [1986615-1](#) [2-1589900-8](#) [2199314-1](#) [KA8102](#)