

Corrugated tube screw connection - HC-WRV-M25 - 1644902

Please be informed that the data shown in this PDF Document is generated from our Online Catalog. Please find the complete data in the user's documentation. Our General Terms of Use for Downloads are valid (<http://phoenixcontact.com/download>)



Protective hose screw connection, for protective hose, for leading individual cables and wires into the housing of HEAVYCON industrial connectors, IP65, M25



Key Commercial Data

Packing unit	10 pc
GTIN	
GTIN	4017918911188

Technical data

Ambient conditions

Degree of protection	IP65
	IP65
Ambient temperature (operation)	-40 °C ... 110 °C

General

Material	PA
Cable gland material	PA
Flammability rating according to UL 94	HB

Standards and Regulations

Flammability rating according to UL 94	HB
--	----

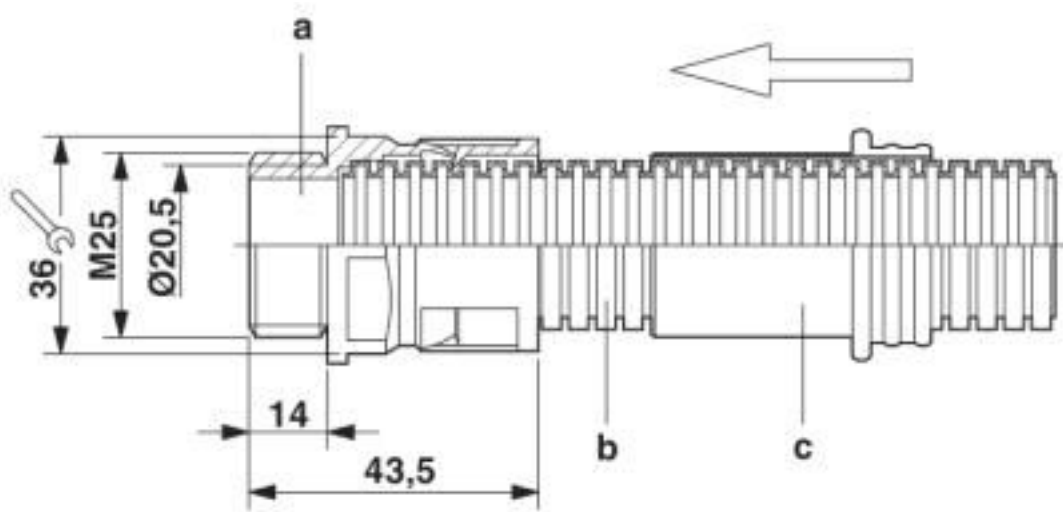
Environmental Product Compliance

China RoHS	Environmentally friendly use period: unlimited = EFUP-e
	No hazardous substances above threshold values

Drawings

Corrugated tube screw connection - HC-WRV-M25 - 1644902

Dimensional drawing



Assembly instructions for Pg 16 corrugated pipe

a = Corrugated screw connection

b = Corrugated pipe

c = N/C contact

Assembly instructions:

Cut the corrugated pipe in the groove to retain a round shape for insertion. The darker outer seal (not shown in the mounting diagram) is pulled inside out over the corrugated tube screw connection. The corrugated pipe is then inserted as far as possible into the corrugated tube screw connection until it audibly clicks into place. To open the screw connection, the yellow corrugated pipe N/C contact is firmly inserted between the locking clip and corrugated pipe, which is then removed.

Classifications

eCl@ss

eCl@ss 4.0	27141209
eCl@ss 4.1	27141209
eCl@ss 5.0	27149109
eCl@ss 5.1	27149100
eCl@ss 6.0	27149100
eCl@ss 7.0	27439205
eCl@ss 8.0	27439205
eCl@ss 9.0	27440290

ETIM

ETIM 2.0	EC000441
ETIM 3.0	EC000441
ETIM 4.0	EC000441
ETIM 5.0	EC001176
ETIM 6.0	EC002908

UNSPSC

UNSPSC 6.01	30211808
-------------	----------

Corrugated tube screw connection - HC-WRV-M25 - 1644902

Classifications

UNSPSC

UNSPSC 7.0901	39121408
UNSPSC 11	39121408
UNSPSC 12.01	39121408
UNSPSC 13.2	39121408

Phoenix Contact 2020 © - all rights reserved
<http://www.phoenixcontact.com>

PHOENIX CONTACT GmbH & Co. KG
Flachsmarktstr. 8
32825 Blomberg
Germany
Tel. +49 5235 300
Fax +49 5235 3 41200
<http://www.phoenixcontact.com>

X-ON Electronics

Largest Supplier of Electrical and Electronic Components

Click to view similar products for [Spiral Wraps, Sleeves, Tubing & Conduit](#) category:

Click to view products by [Phoenix Contact](#) manufacturer:

Other Similar products are found below :

[601203-000](#) [CTA-0053](#) [8426-11](#) [8429-9](#) [8445-7.5](#) [8450](#) [120-104-24](#) [120-113-16B](#) [120-116-1-1-09BE](#) [120-116-1-1-09BF](#) [120-116-1-1-09BP](#)
[120-116-1-1-12BE](#) [120-116-1-1-12BP](#) [120-116-1-1-20BP](#) [120-116-1-1-32BE](#) [120-117-40](#) [120-123-06](#) [120-123-10](#) [120-123-14](#) [120-123-16](#)
[120-125-12BL](#) [120-125-12R](#) [120-125-16](#) [120-125-16R](#) [120-125-16Y](#) [120-125-20R](#) [120-125-24Y](#) [120-125-28](#) [120-125-28R](#) [120-125-32](#)
[120-125-32R](#) [120-125-40](#) [120-125-56](#) [120-126-09](#) [120-126-09BL](#) [120-126-12](#) [120-126-12BL](#) [120-126-14](#) [120-126-16](#) [120-126-16BL](#) [120-](#)
[126-20](#) [120-126-20BL](#) [120-126-20R](#) [120-126-24](#) [120-126-28](#) [120-126-32](#) [120-126-40BL](#) [120-126-52](#) [120-126-52BL](#) [120-104-12](#)