

Housing - HC-B 24-AMLD-AL - 1645493

Please be informed that the data shown in this PDF Document is generated from our Online Catalog. Please find the complete data in the user's documentation. Our General Terms of Use for Downloads are valid (<http://phoenixcontact.com/download>)



Panel mounting base B24, with single locking latch, material: Aluminum die-cast, protective cover material: Al, height: 29 mm, cable gland: none, support sleeve: no, protective cover: yes, Standard, with flat gasket

RoHS

Key Commercial Data

Packing unit	10 pc
GTIN	
GTIN	4046356028646

Technical data

Dimensions

Height	29 mm
Width	43 mm
Length	140 mm
Length of the assembly cutout	113 mm
Width of the assembly cutout	35 mm

Ambient conditions

Degree of protection of housing (IP)	IP65 (When plugged in)
	IP54 (with closed protective cover)
Ambient temperature (operation)	-40 °C ... 125 °C

General

Note	For contact inserts HC-B24, BB46, BBB64, D64, DD108, M
Size	B24
Housing type	Panel mounting base
Locking type	with single locking latch
Torque	1.5 Nm ... 2 Nm (Mounting screw)
Screw connection	none
Protective cover	yes

Housing - HC-B 24-AMLD-AL - 1645493

Technical data

General

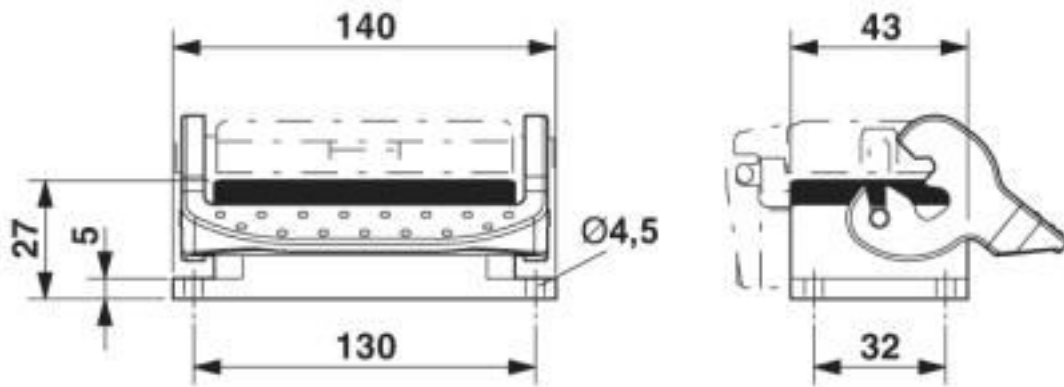
Housing material	Aluminum die-cast
Housing surface material	Powder-coated, gray
Material lock	Stainless steel, handle: PA
Material grip body interlock	PA
Material, protective cover	Al

Environmental Product Compliance

China RoHS	Environmentally friendly use period: unlimited = EFUP-e
	No hazardous substances above threshold values

Drawings

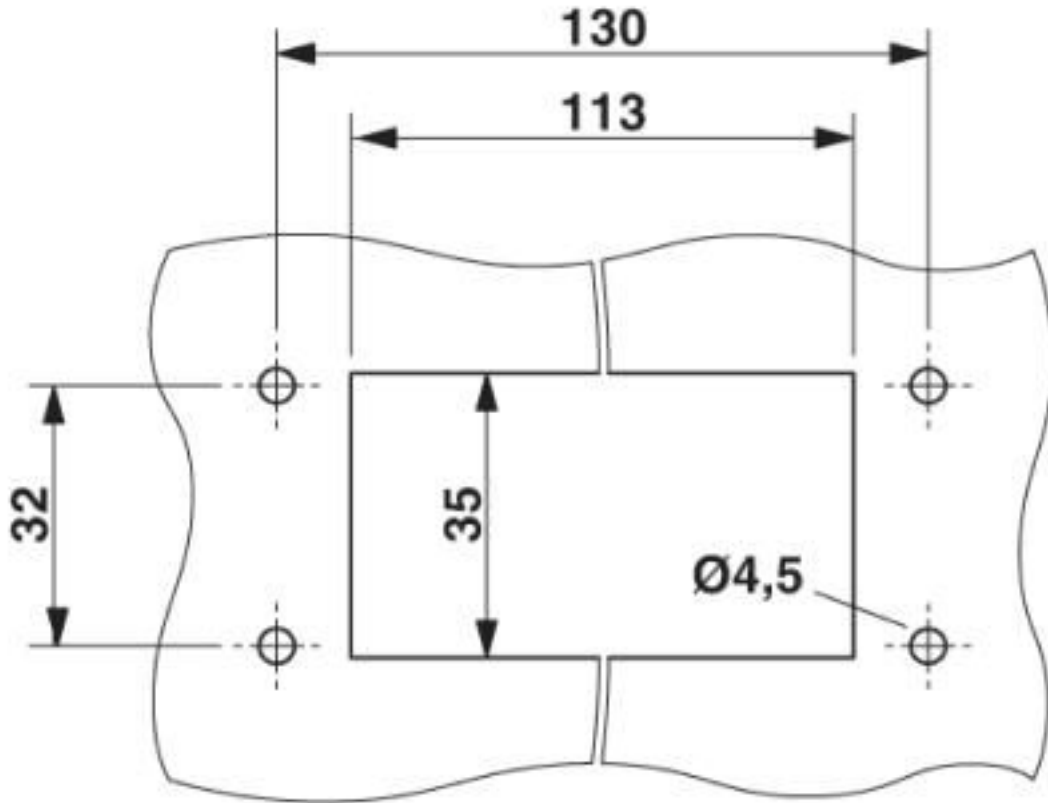
Dimensional drawing



Dimensional drawing

Housing - HC-B 24-AMLD-AL - 1645493

Dimensional drawing



Mounting cutout

Classifications

eCl@ss

eCl@ss 10.0.1	27440202
eCl@ss 4.0	27140800
eCl@ss 4.1	27140800
eCl@ss 5.0	27143400
eCl@ss 5.1	27261200
eCl@ss 6.0	27261200
eCl@ss 7.0	27440202
eCl@ss 8.0	27440202
eCl@ss 9.0	27440202

ETIM

ETIM 3.0	EC000437
ETIM 4.0	EC000437
ETIM 5.0	EC000437
ETIM 6.0	EC000437

Housing - HC-B 24-AMLD-AL - 1645493

Classifications

ETIM

ETIM 7.0	EC000437
----------	----------

UNSPSC

UNSPSC 6.01	31261502
UNSPSC 7.0901	31261502
UNSPSC 11	31261502
UNSPSC 12.01	31261502
UNSPSC 13.2	31261501
UNSPSC 18.0	31261501
UNSPSC 19.0	31261501
UNSPSC 20.0	31261501
UNSPSC 21.0	31261501

Approvals

Approvals

Approvals

EAC

Ex Approvals

Approval details

EAC		RU C- DE.AI30.B.01102
-----	--	--------------------------

Accessories

Accessories

Housing latches

Housing brackets - HC-B 24-LB - 1584677



Replacement plastic single locking latch for standard housings of type B24

Seal

Housing - HC-B 24-AMLD-AL - 1645493

Accessories

Profile gasket - HC-B 24-PR-DI - 1663048



Profile gasket for type B24 supporting base element

Flat gasket - HC-B 24-FL-DI - 1774665



Replacement flange seal, for HEAVYCON panel mounting base of type: B24, self-adhesive, not for HC-...EMC housings, color: Black

Seal - HC-B 24-FL-DI-N - 1411465



Replacement flange seal, for HEAVYCON type B24 panel mounting base, latching, for panel mounting base with snapped-on flat gaskets, not for HC-....EMV housing, color: black

Phoenix Contact 2020 © - all rights reserved
<http://www.phoenixcontact.com>

PHOENIX CONTACT GmbH & Co. KG
Flachsmarktstr. 8
32825 Blomberg
Germany
Tel. +49 5235 300
Fax +49 5235 3 41200
<http://www.phoenixcontact.com>

X-ON Electronics

Largest Supplier of Electrical and Electronic Components

Click to view similar products for [Heavy Duty Power Connectors](#) category:

Click to view products by [Phoenix Contact](#) manufacturer:

Other Similar products are found below :

[647757-1](#) [6643411-1](#) [6646058-2](#) [6646137-1](#) [6646138-1](#) [6646479-1](#) [6646608-1](#) [6646786-1](#) [6646940-1](#) [6651091-1](#) [6651525-1](#) [6651529-1](#)
[6651788-1](#) [696475-1](#) [702-32-01109](#) [703-25-02205](#) [73000005059](#) [73000005642](#) [73080965046](#) [765-15-0080A](#) [765-16-0080B](#) [765-18-0080D](#)
[829992-1](#) [902-77-02113](#) [PS00/A0620/6300](#) [129-1J](#) [1409400](#) [AN0024023](#) [E6374G1](#) [e6389g2](#) [157-43GW8](#) [MS3117-14AC](#) [1643543-1](#)
[1650540-1](#) [1651811-2](#) [1766260-1](#) [1766282-1](#) [1766966-1](#) [1791340000](#) [NLDFT-3-BL-L-S120-M40A](#) [NLDFT-N-W-L-C240-M40B](#) [NLS-2-R-](#)
[C240-M40B](#) [NLS-N-W-C240-M40B](#) [NPS-3-BL-T6](#) [1986615-1](#) [2-1589900-8](#) [2199314-1](#) [KA8102](#) [9300480317](#) [SBS50BRN#6](#)