

## RJ45 male insert - VS-08-ST-H21-RJ45 - 1652729


Please be informed that the data shown in this PDF Document is generated from our Online Catalog. Please find the complete data in the user's documentation. Our General Terms of Use for Downloads are valid (<http://phoenixcontact.com/download>)



RJ45 male insert, CAT6, 8-pos., shielded, IDC displacement connection, for litz wire AWG 25 ... 24 and solid wires AWG 24, with strain relief



### Key Commercial Data

|                        |   |
|------------------------|---|
| Packing unit           | 5 pc  |
| Minimum order quantity | 5 pc  |
| GTIN                   | <br>4 017918 952853 |
| GTIN                   | 4017918952853   |

### Technical data

#### Mechanical characteristics

|  |  |
|--|--|
| Connection method                      | IDC connection technology                                |
| Overvoltage category                   | I  |
| AWG solid min.                         | 24   |
| AWG solid max.                         | 25   |
| AWG multi-stranded max.                | 24   |
| Degree of pollution                    | 2  |
| Cable outlet                           | straight   |
| No. of cable outlets                   | 1  |
| Conductor cross section                | 0.16 mm <sup>2</sup> ... 0.22 mm <sup>2</sup> (flexible) |
|  | 0.2 mm <sup>2</sup> (solid)                              |
| Weight                                 | 4.078 g  |
| Flammability rating according to UL 94 | V2   |

#### Ambient conditions

|                                 |                  |
|---------------------------------|------------------|
| Ambient temperature (operation) | -25 °C ... 60 °C |
|---------------------------------|------------------|

#### Material data

|                          |      |
|--------------------------|------|
| Contact surface material | Gold |
|--------------------------|------|

## RJ45 male insert - VS-08-ST-H21-RJ45 - 1652729

### Technical data

#### Material data

|                          |                   |
|--------------------------|-------------------|
| Contact material         | Phosphor bronze   |
| Contact carrier material | PC                |
| Housing material         | Steel, tin-plated |
| Width                    | 11.7 mm           |
| Height                   | 13.5 mm           |
| Length                   | 30.2 mm           |

#### Electrical characteristics

|   |                                |
|---|--------------------------------|
| Number of positions                     | 8                              |
| Nominal voltage $U_N$                   | 48 V                           |
| Nominal current $I_N$                   | 1.75 A                         |
| Transmission characteristics (category) | CAT6                           |
| GRP transmission properties             | CAT6 CAT6                      |
| Frequency range                         | to 250 MHz                     |
| Rated current                           | 1 A                            |
| Overvoltage category                    | I                              |
| Degree of pollution                     | 2                              |
| Rated voltage (III/3)                   | 72 V (DC)                      |
| Insulation resistance                   | min. 100 M $\Omega$ (100 V DC) |

#### Standards and Regulations

|  |    |
|--|----|
| Flammability rating according to UL 94 | V2 |
|--|----|

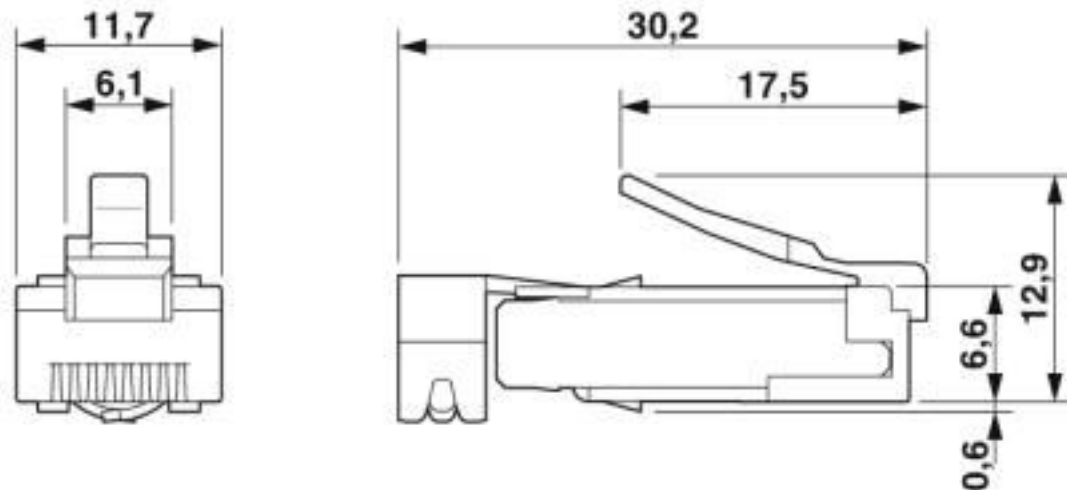
#### Environmental Product Compliance

|            |   |
|------------|---|
| China RoHS | Environmentally friendly use period: unlimited = EFUP-e |
|            | No hazardous substances above threshold values          |

### Drawings

# RJ45 male insert - VS-08-ST-H21-RJ45 - 1652729

Dimensional drawing



RJ45 male insert

## Classifications

eCl@ss

|               |          |
|---------------|----------|
| eCl@ss 10.0.1 | 27440205 |
| eCl@ss 4.0    | 27260700 |
| eCl@ss 4.1    | 27260700 |
| eCl@ss 5.0    | 27260700 |
| eCl@ss 5.1    | 27261200 |
| eCl@ss 6.0    | 27261200 |
| eCl@ss 7.0    | 27440205 |
| eCl@ss 8.0    | 27440205 |
| eCl@ss 9.0    | 27440205 |

ETIM

|          |          |
|----------|----------|
| ETIM 2.0 | EC000438 |
| ETIM 3.0 | EC000438 |
| ETIM 4.0 | EC000438 |
| ETIM 5.0 | EC000438 |
| ETIM 6.0 | EC000438 |
| ETIM 7.0 | EC000438 |

UNSPSC

|               |          |
|---------------|----------|
| UNSPSC 6.01   | 30211923 |
| UNSPSC 7.0901 | 39121522 |
| UNSPSC 11     | 39121522 |
| UNSPSC 12.01  | 39121522 |
| UNSPSC 13.2   | 39121522 |

# RJ45 male insert - VS-08-ST-H21-RJ45 - 1652729

## Classifications

### UNSPSC

|             |          |
|-------------|----------|
| UNSPSC 18.0 | 39121522 |
| UNSPSC 19.0 | 39121522 |
| UNSPSC 20.0 | 39121522 |
| UNSPSC 21.0 | 39121522 |

## Approvals

### Approvals

Approvals

EAC / EAC

Ex Approvals

### Approval details

|     |  |         |
|-----|--|---------|
| EAC |  | B.01687 |
|-----|--|---------|

|     |  |         |
|-----|--|---------|
| EAC |  | B.01687 |
|-----|--|---------|

## Accessories

### Accessories

#### Bend protection sleeve

RJ45 bending protection sleeve - VS-08-KS-H/GY - 1654743



RJ45 bend protection sleeve, for pin inserts VS-08-ST-H11-RJ45 and VS-08-ST-H21-RJ45, for cable cross section up to 7 mm, color: gray

## RJ45 male insert - VS-08-ST-H21-RJ45 - 1652729

### Accessories

RJ45 bending protection sleeve - VS-08-KS-H/GN - 1654756



RJ45 bend protection sleeve, for pin inserts VS-08-ST-H11-RJ45 and VS-08-ST-H21-RJ45, for cable cross section up to 7 mm, color: green

---

### Crimping tool

Crimping pliers - VS-CT-RJ45-H - 1653265



Crimp tool, pliers with die, for RJ45 pin inserts VS-08-ST-H...-RJ45 and VS-08-RJ45-10G/C

---

### Sleeve housings

RJ45 sleeve housings - VS-08-T-H-RJ45/IP67 - 1652732



RJ45 sleeve housings, degree of protection: IP67, number of positions: 8, material: PA, cable outlet: straight, color: traffic grey A RAL 7042

RJ45 sleeve housings - VS-08-T-H-RJ45/IP67-BK - 1658671



RJ45 sleeve housings, degree of protection: IP67, number of positions: 8, material: PA, cable outlet: straight, color: jet black RAL 9005

## X-ON Electronics

Largest Supplier of Electrical and Electronic Components

*Click to view similar products for [Modular Connectors / Ethernet Connectors](#) category:*

*Click to view products by [Phoenix Contact](#) manufacturer:*

Other Similar products are found below :

[8949-H88/06BLKA/SN](#) [74441-0010/BKN](#) [MP1010RX-1000](#) [MP44RX-1000](#) [PHJ-4P4C-1-V-4](#) [PHP-6P6C-5](#) [GAX-3-66](#) [GAX-8-62](#) [GDCX-PA-66-50](#) [GDCX-PN-64](#) [GDCX-PN-66](#) [GDCX-PN-66-50](#) [GDLX-A-66](#) [GDLX-N-66](#) [GDLX-S-66](#) [GDLX-S-88K](#) [GDTX-S-88-50](#) [GDX-PA-1010](#) [GLX-N-1010M-BLK](#) [GLX-S-88M-BLK](#) [GMX-N-1010](#) [GMX-S-1010](#) [GMX-S-66](#) [GMX-SMT4-N-88](#) [GPX-2-64](#) [GSGX-N-2-88](#) [GSGX-N-4-88](#) [GSX-NS2-88-3.05](#) [GSX-NS2-88-3.05-50](#) [GSX-NS-88-3.05-50](#) [PT-108A-8C-UL](#) [PT-J951-8C](#) [PTS-J531-8CS-50UL](#) [1-1775629-2](#) [A-2014-0-4](#) [GWLX-S-88-GR](#) [GWLX-S9-88-YG](#) [DC-1021-8-WH-6](#) [1300530003](#) [1324640-4](#) [RJ11FTVC2G](#) [RJ11FTVC2N](#) [RJFTVX2SA1G](#) [132764-001](#) [1413235](#) [MP88X-1000](#) [MPS88RX-5000](#) [E5288-S000K3-L](#) [E5908-15A242-L](#) [155302-001](#)