

RJ45 sleeve housings - VS-08-T-H-RJ45/IP67 - 1652732

Please be informed that the data shown in this PDF Document is generated from our Online Catalog. Please find the complete data in the user's documentation. Our General Terms of Use for Downloads are valid (<http://phoenixcontact.com/download>)




RJ45 sleeve housings, degree of protection: IP67, number of positions: 8, material: PA, cable outlet: straight, color: traffic grey A RAL 7042

Your advantages

- ✓ High-quality and inexpensive solution in the IP protection zone
- ✓ Simple operation
- ✓ IP65/67



Key Commercial Data

Packing unit	5 pc
GTIN	 4 017918 952877
GTIN	4017918952877

Technical data

Mechanical characteristics

Minimum external conductor diameter	5 mm
Maximum external conductor diameter	8.5 mm
Overvoltage category	I
Degree of pollution	2
Cable outlet	straight
No. of cable outlets	1
Weight	13.92 g
Flammability rating according to UL 94	V0

Ambient conditions

Ambient temperature (operation)	-40 °C ... 80 °C
---------------------------------	------------------

Material data

Housing material	PA
------------------	----

RJ45 sleeve housings - VS-08-T-H-RJ45/IP67 - 1652732

Technical data

Material data

Width	18.5 mm
Height	43 mm
Length	37 mm

Electrical characteristics

Number of positions	8
Overvoltage category	I
Degree of pollution	2
Rated voltage (III/3)	72 V (DC)

Standards and Regulations

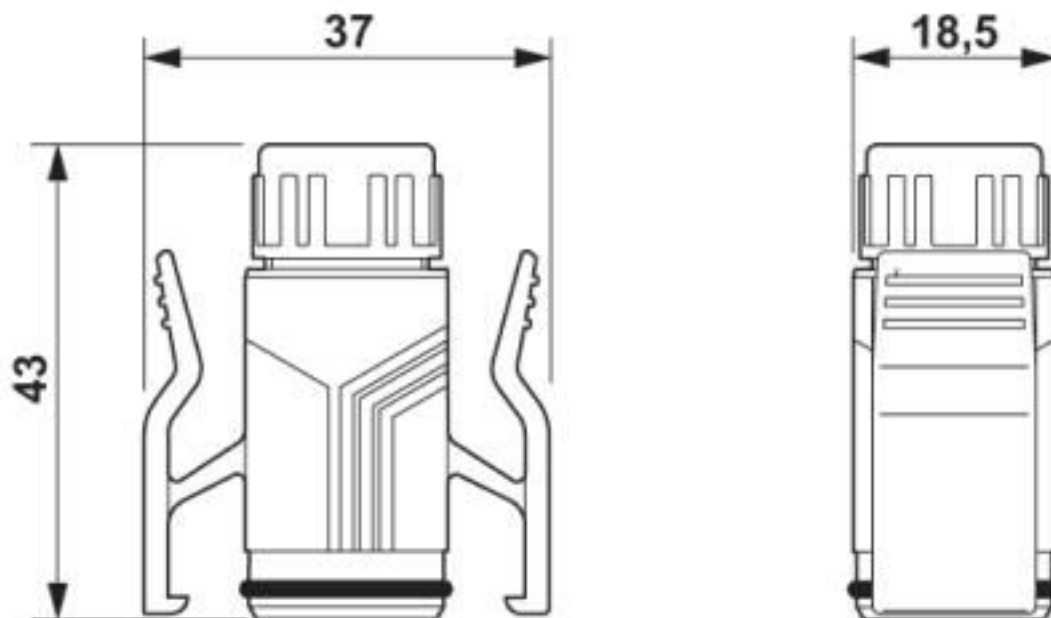
Flammability rating according to UL 94	V0
--	----

Environmental Product Compliance

China RoHS	Environmentally friendly use period: unlimited = EFUP-e
	No hazardous substances above threshold values

Drawings

Dimensional drawing



RJ45 sleeve housing IP67

Classifications

eCl@ss

eCl@ss 10.0.1	27440202
---------------	----------

RJ45 sleeve housings - VS-08-T-H-RJ45/IP67 - 1652732

Classifications

eCl@ss

eCl@ss 4.0	27260700
eCl@ss 4.1	27260700
eCl@ss 5.0	27260700
eCl@ss 5.1	27261200
eCl@ss 6.0	27261200
eCl@ss 7.0	27440202
eCl@ss 8.0	27440202
eCl@ss 9.0	27440202

ETIM

ETIM 2.0	EC000764
ETIM 3.0	EC001121
ETIM 4.0	EC001121
ETIM 5.0	EC000437
ETIM 6.0	EC000437
ETIM 7.0	EC000437

UNSPSC

UNSPSC 6.01	31261501
UNSPSC 7.0901	31261501
UNSPSC 11	31261501
UNSPSC 12.01	31261501
UNSPSC 13.2	31261501
UNSPSC 18.0	31261501
UNSPSC 19.0	31261501
UNSPSC 20.0	31261501
UNSPSC 21.0	31261501

Approvals

Approvals

Approvals

EAC

Ex Approvals

Approval details

RJ45 sleeve housings - VS-08-T-H-RJ45/IP67 - 1652732

Approvals

EAC



B.01687

Accessories

Accessories

Male insert

RJ45 male insert - VS-08-ST-H11-RJ45 - 1652716



RJ45 pin insert, CAT5, 8-pos., shielded, IDC connection technology, for 27 ... 26 AWG litz wires, with strain relief

RJ45 male insert - VS-08-ST-H21-RJ45 - 1652729



RJ45 male insert, CAT6, 8-pos., shielded, IDC displacement connection, for litz wire AWG 25 ... 24 and solid wires AWG 24, with strain relief

RJ45 male insert - VS-08-RJ45-10G/C - 1418853



Male insert RJ45, CAT6_A, 10 Gigabit

Protective cover

Protective covers - VS-SCRJ-PC - 1653757



IP67 protective cover, for covering the male inserts in the sleeve housings IP67, VS-SC-RJ-..., VS-04-..., VS-06-... and VS-08-...

Phoenix Contact 2020 © - all rights reserved
<http://www.phoenixcontact.com>

PHOENIX CONTACT GmbH & Co. KG
Flachsmarktstr. 8
32825 Blomberg
Germany
Tel. +49 5235 300
Fax +49 5235 3 41200
<http://www.phoenixcontact.com>

X-ON Electronics

Largest Supplier of Electrical and Electronic Components

Click to view similar products for [Modular Connectors / Ethernet Connectors](#) category:

Click to view products by [Phoenix Contact](#) manufacturer:

Other Similar products are found below :

[8949-H88/06BLKA/SN](#) [74441-0010/BKN](#) [MP1010RX-1000](#) [MP44RX-1000](#) [PHP-6P6C-5](#) [GAX-3-66](#) [GAX-8-62](#) [GDCX-PA-66-50](#) [GDCX-PN-64](#) [GDCX-PN-66](#) [GDCX-PN-66-50](#) [GDLX-A-66](#) [GDLX-N-66](#) [GDLX-S-66](#) [GDLX-S-88K](#) [GDTX-S-88-50](#) [GDX-PA-1010](#) [GLX-N-1010M-BLK](#) [GLX-S-88M-BLK](#) [GMX-N-1010](#) [GMX-S-1010](#) [GMX-S-66](#) [GMX-SMT4-N-88](#) [GPX-2-64](#) [GSGX-N-2-88](#) [GSGX-N-4-88](#) [GSX-NS2-88-3.05](#) [GSX-NS2-88-3.05-50](#) [GSX-NS-88-3.05-50](#) [PT-108A-8C-UL](#) [PT-J951-8C](#) [PTS-J531-8CS-50UL](#) [1-1775629-2](#) [A-2014-0-4](#) [GWLX-S-88-GR](#) [GWLX-S9-88-YG](#) [DC-1021-8-WH-6](#) [1300530003](#) [1324640-4](#) [RJ11FTVC2G](#) [RJ11FTVC2N](#) [RJFTVX2SA1G](#) [132764-001](#) [1413235](#) [MP88X-1000](#) [MPS88RX-5000](#) [E5288-S000K3-L](#) [E5908-15A242-L](#) [155302-001](#) [AX100653](#)