

## FO connecting cable - VS-IL-2XHCS-200-2XSCRJ67-20 - 1654921


Please be informed that the data shown in this PDF Document is generated from our Online Catalog. Please find the complete data in the user's documentation. Our General Terms of Use for Downloads are valid (<http://phoenixcontact.com/download>)



Assembled fiber optic cable, round cable, PCF fiber 200/230 µm, SC-RJ/IP67 on SC-RJ/IP67, for installation inside buildings, length: 20 m



### Key Commercial Data

Packing unit	1 pc
GTIN	 4 046356 028899
GTIN	4046356028899

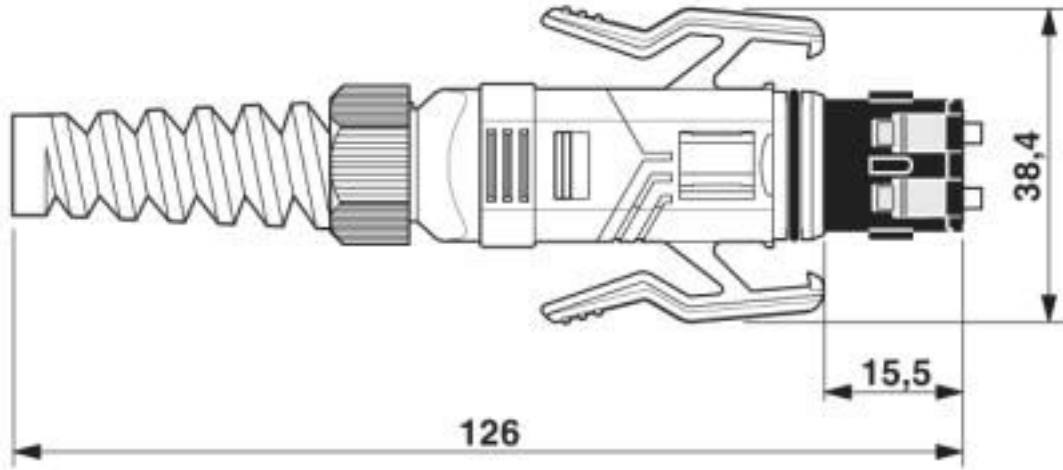
### Technical data

Product type	Data plug
Approval	EAC
Number of positions	2
Signal type	Ethernet
Material	PA
Degree of protection	IP67
Housing material	PA

### Drawings

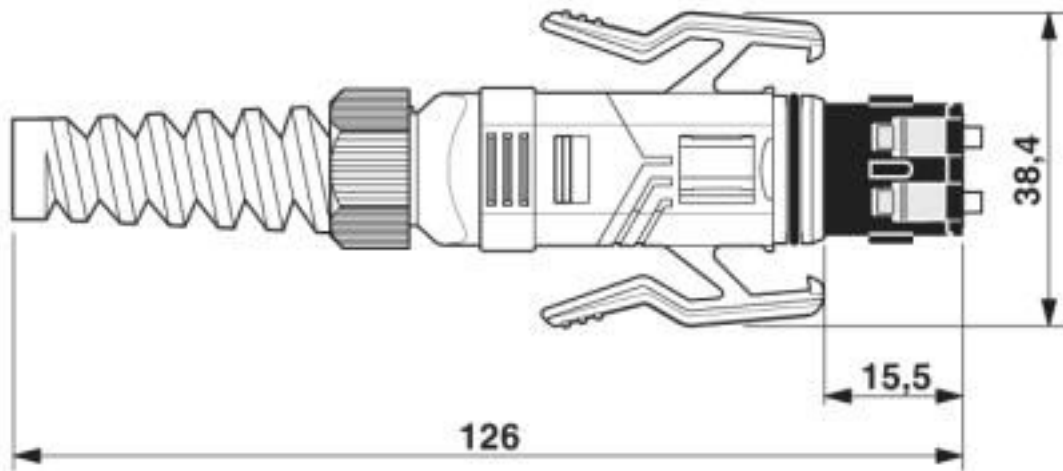
# FO connecting cable - VS-IL-2XHCS-200-2XSCRJ67-20 - 1654921

Dimensional drawing



SC-RJ connector, PCF, IP67

Dimensional drawing



SC-RJ connector, PCF, IP67

## Classifications

eCl@ss

eCl@ss 10.0.1	27061003
eCl@ss 4.0	27061000
eCl@ss 4.1	27061000
eCl@ss 5.0	27061000
eCl@ss 5.1	27061000
eCl@ss 6.0	27061000
eCl@ss 7.0	27061003

# FO connecting cable - VS-IL-2XHCS-200-2XSCRJ67-20 - 1654921

## Classifications

### eCl@ss

eCl@ss 8.0	27061003
eCl@ss 9.0	27061003

### ETIM

ETIM 2.0	EC000764
ETIM 3.0	EC001263
ETIM 4.0	EC001263
ETIM 5.0	EC001263
ETIM 6.0	EC001263
ETIM 7.0	EC001263

### UNSPSC

UNSPSC 6.01	31261501
UNSPSC 7.0901	31261501
UNSPSC 11	31261501
UNSPSC 12.01	31261501
UNSPSC 13.2	26121607
UNSPSC 18.0	26121607
UNSPSC 19.0	26121607
UNSPSC 20.0	26121607
UNSPSC 21.0	26121607

## Approvals

### Approvals

---

Approvals

EAC

---

Ex Approvals

---

### Approval details

EAC		B.01687
-----	--	---------

## Accessories

Accessories

Protective cover

## FO connecting cable - VS-IL-2XHCS-200-2XSCRJ67-20 - 1654921

### Accessories

Protective covers - VS-SCRJ-PC - 1653757



IP67 protective cover, for covering the male inserts in the sleeve housings IP67, VS-SC-RJ-..., VS-04-..., VS-06-... and VS-08-...

---

Phoenix Contact 2020 © - all rights reserved  
<http://www.phoenixcontact.com>

PHOENIX CONTACT GmbH & Co. KG  
Flachsmarktstr. 8  
32825 Blomberg  
Germany  
Tel. +49 5235 300  
Fax +49 5235 3 41200  
<http://www.phoenixcontact.com>

## X-ON Electronics

Largest Supplier of Electrical and Electronic Components

*Click to view similar products for [Fibre Optic Cable Assemblies](#) category:*

*Click to view products by [Phoenix Contact](#) manufacturer:*

Other Similar products are found below :

[7-21002-9](#) [760-1518](#) [FA04390-50-M-72-LC-N](#) [MLB 501 V RED](#) [MLB 501 V YELLOW](#) [1-3636-600-5208](#) [2061529-7](#) [1-6693182-0](#)  
[1754898-1](#) [21055-6](#) [FXBSCSCE2LM002](#) [3000005](#) [3-21053-2](#) [MLB 2001 V RED](#) [MLB 2001 V YELLOW](#) [MLB 501 V BLACK](#) [5492011-6](#)  
[106284-7000](#) [5492011-5](#) [5492011-8](#) [5492011-9](#) [8-21007-5](#) [2123524-2](#) [2123524-1](#) [106386-4447](#) [DFSM-SCSC-2M](#) [2123909-4](#) [2123909-8](#)  
[106273-0629](#) [2125046-1](#) [2821236-3](#) [2821310-2](#) [2821310-3](#) [2821313-4](#) [FX2ERLNLNSNM0.5](#) [CF-980062-074](#) [CF-901200-394](#) [CF-980062-](#)  
[073](#) [CF-980062-071](#) [CF-980062-075](#) [CF-980062-072](#) [17-300310-100](#) [2821236-2](#) [2821313-1](#) [G-FC-FC-S-002.0-DX-A-18-Y](#) [G-E2A-E2A-S-](#)  
[003.0-SX-A-18-Y](#) [956-322-502214](#) [FA04474](#) [1083665](#) [1111540](#)