

# D-SUB sleeve housings - VS-15-T-20-1-S-A - 1655687

Please be informed that the data shown in this PDF Document is generated from our Online Catalog. Please find the complete data in the user's documentation. Our General Terms of Use for Downloads are valid (<http://phoenixcontact.com/download>)



D-SUB sleeve housings, type: D-SUB 15, degree of protection: IP20, material: ABS, cable outlet: Angled, size of housing: 2, color: Bare metallic



## Key Commercial Data

Packing unit	1 pc
GTIN	
GTIN	4046356029575

## Technical data

### Mechanical characteristics

Minimum external conductor diameter	4 mm
Maximum external conductor diameter	8.5 mm
Cable outlet	Angled
No. of cable outlets	1
Weight	13.6 g
Type	D-SUB 15
Flammability rating according to UL 94	V0

### Ambient conditions

Ambient temperature (operation)	-40 °C ... 90 °C
---------------------------------	------------------

### Material data

Housing material	ABS
Housing surface material	metal-plated
Width	39.7 mm
Height	15.2 mm
Length	37 mm

## Standards and Regulations

# D-SUB sleeve housings - VS-15-T-20-1-S-A - 1655687

## Technical data

### Standards and Regulations

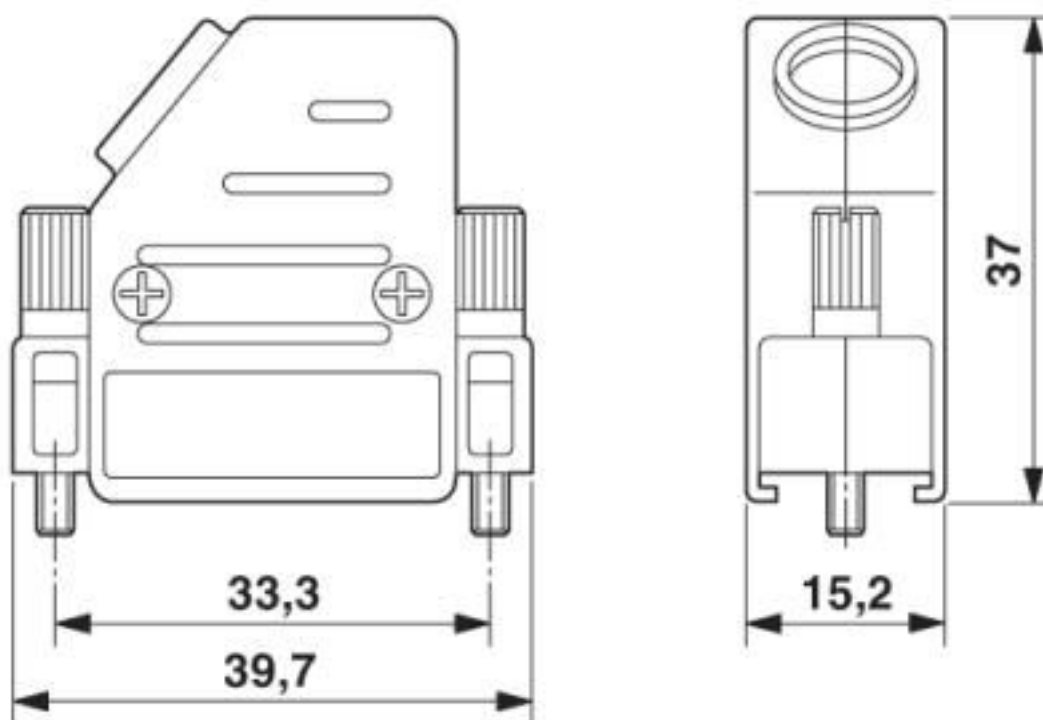
Flammability rating according to UL 94	V0
--	----

### Environmental Product Compliance

China RoHS	Environmentally friendly use period: unlimited = EFUP-e
	No hazardous substances above threshold values

## Drawings

Dimensional drawing



## Classifications

eCl@ss

eCl@ss 4.0	27140816
eCl@ss 4.1	27140816
eCl@ss 5.0	27143424
eCl@ss 5.1	27261200
eCl@ss 6.0	27261200
eCl@ss 7.0	27440202
eCl@ss 8.0	27440202
eCl@ss 9.0	27440202

## D-SUB sleeve housings - VS-15-T-20-1-S-A - 1655687

### Classifications

#### ETIM

ETIM 2.0	EC001133
ETIM 3.0	EC001133
ETIM 4.0	EC001133
ETIM 5.0	EC000437
ETIM 6.0	EC000437

#### UNSPSC

UNSPSC 6.01	31261501
UNSPSC 7.0901	31261501
UNSPSC 11	31261501
UNSPSC 12.01	31261501
UNSPSC 13.2	31261501
UNSPSC 19.0	31261501

### Accessories

#### Spare parts

D-SUB sleeve housings - CUC-DST-GPME-A/DSSC15 - 1419718



D-SUB sleeve housings, degree of protection: IP20, material: ABS, metal-plated, cable outlet: angled, size of housing: 2, color: Bare metallic

---

Phoenix Contact 2020 © - all rights reserved  
<http://www.phoenixcontact.com>

PHOENIX CONTACT GmbH & Co. KG  
Flachsmarktstr. 8  
32825 Blomberg  
Germany  
Tel. +49 5235 300  
Fax +49 5235 3 41200  
<http://www.phoenixcontact.com>

## X-ON Electronics

Largest Supplier of Electrical and Electronic Components

*Click to view similar products for [D-Sub Backshells](#) category:*

*Click to view products by [Phoenix Contact](#) manufacturer:*

Other Similar products are found below :

[173114-0084](#) [173112-1658](#) [600X51137X](#) [600X54009X](#) [66241-12A](#) [M85049/48-1-2](#) [M85049/48-3-5F](#) [M85049/6-38N](#) [M85049/86-12N03](#)  
[70.350.2435.1](#) [72.350.1035.2](#) [72.352.2435.1](#) [73.359.4035.3](#) [799-015TMH07M](#) [799-015TMH08N](#) [FKH1RE](#) [829472-1](#) [F-PHG-1E](#) [F-PHG-3E](#)  
[F-PHG-4E](#) [F-PHR-4E](#) [PCS-E20W](#) [8655MHRA0901KLF](#) [8655MHRA2501KLF](#) [958-009-010R011](#) [970-015-040R011](#) [970-025-040R011](#)  
[971-009-030R121](#) [971-009-040R011](#) [971-015-040R011](#) [971-025-040R011](#) [GS85049/38-25M](#) [975T009-020R121](#) [975T015-020R121](#) [1-](#)  
[21986-2](#) [1-21986-5](#) [DB-20962](#) [DB-C4-J11](#) [DE-C8-J9-F4-1R](#) [DE-C8-J9-F5-1R](#) [DPH-B-003](#) [1437013-9](#) [1484402-8](#) [MS3057-10A](#) [156-3025-](#)  
[EX](#) [MS3417-16C](#) [16-500800](#) [165X02659X](#) [165X03399A](#) [165X10139X](#)