

D-SUB cable - VS-15-DSUB-20-LI-5,0 - 1656288

Please be informed that the data shown in this PDF Document is generated from our Online Catalog. Please find the complete data in the user's documentation. Our General Terms of Use for Downloads are valid (<http://phoenixcontact.com/download>)



Assembled D-SUB cable shielded, 15-pos., stranded (7-wire), cable color RAL 7000 (gray), IP20 degree of protection, head 1 with socket shell 2 and straight cable outlet, head 2 with pin shell 2 and straight cable outlet, length: 5 m



Key Commercial Data

Packing unit	1 pc
GTIN	
GTIN	4046356029766

Technical data

Ambient conditions

Degree of protection	IP20
Ambient temperature (operation)	0 °C ... 70 °C

General data

Number of positions	15
Overvoltage category	III
Degree of pollution	2
Contact material	Copper alloy
Contact surface material	gold-plated
Housing material	PVC
Degree of protection	IP20
Rated current	1 A

Characteristics head 1

Outer sheath, material	PVC
External sheath, color	beige

Environmental Product Compliance

China RoHS	Environmentally friendly use period: unlimited = EFUP-e
------------	---

D-SUB cable - VS-15-DSUB-20-LI-5,0 - 1656288

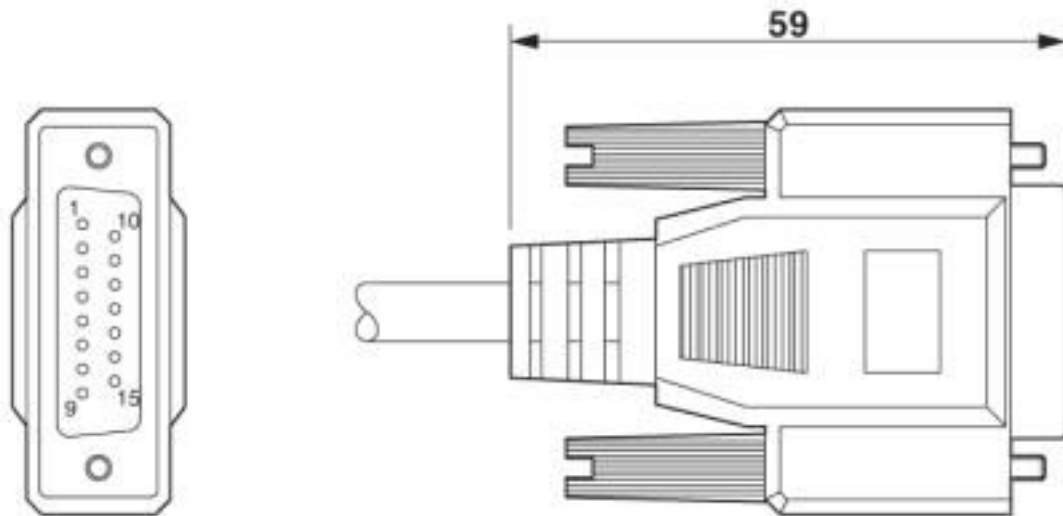
Technical data

Environmental Product Compliance

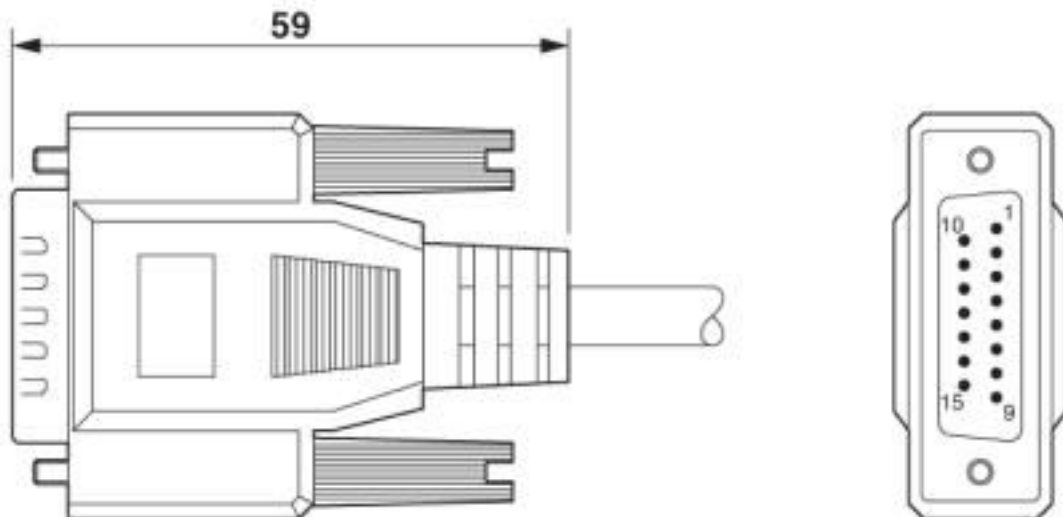
	No hazardous substances above threshold values
--	--

Drawings

Dimensional drawing

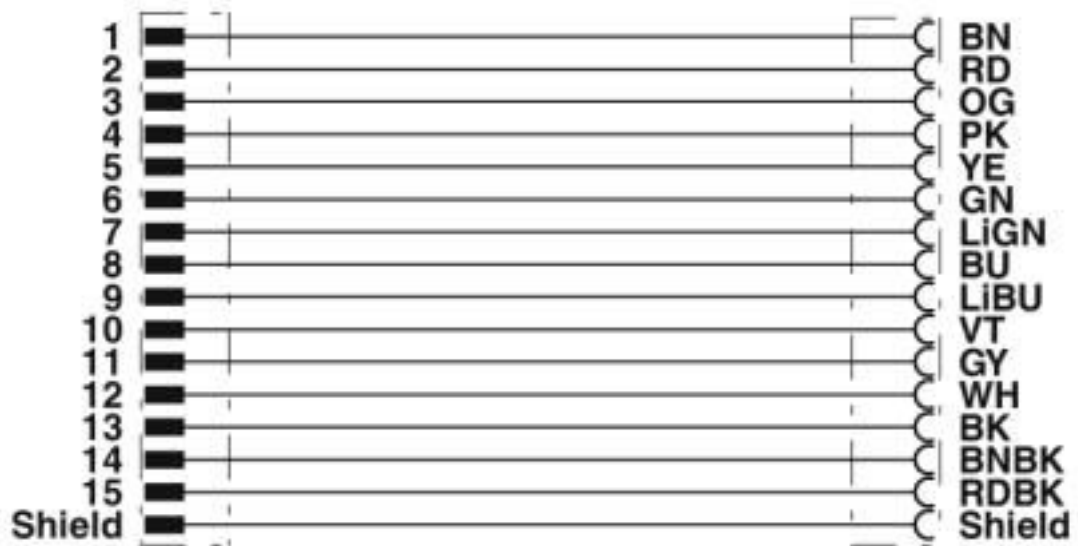


Dimensional drawing

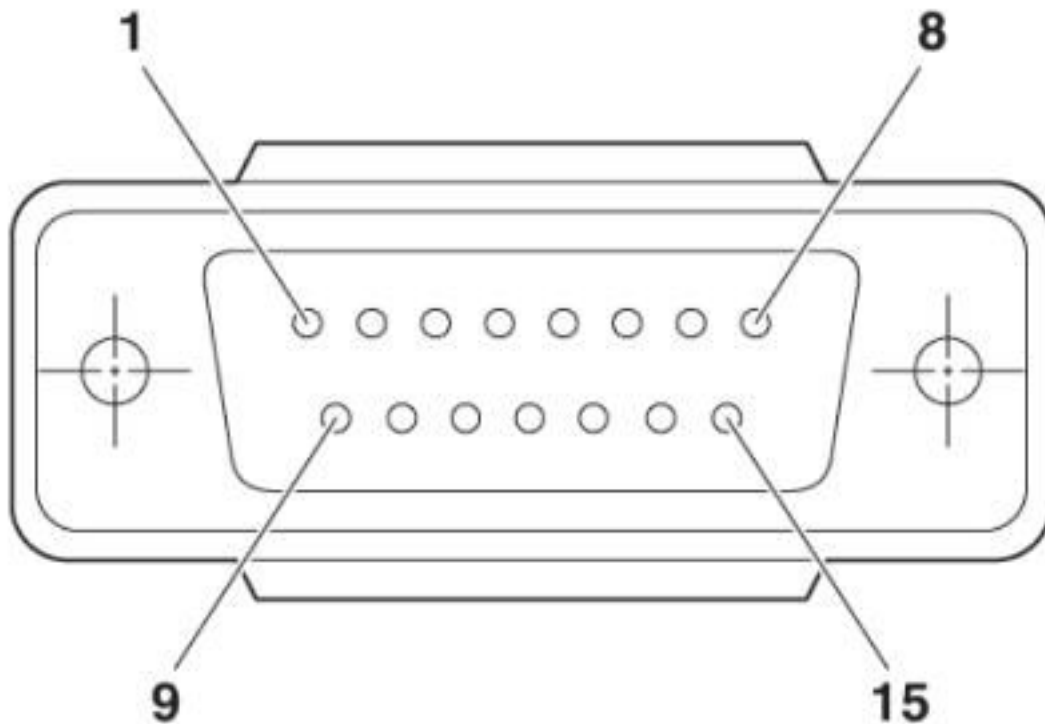


D-SUB cable - VS-15-DSUB-20-LI-5,0 - 1656288

Circuit diagram

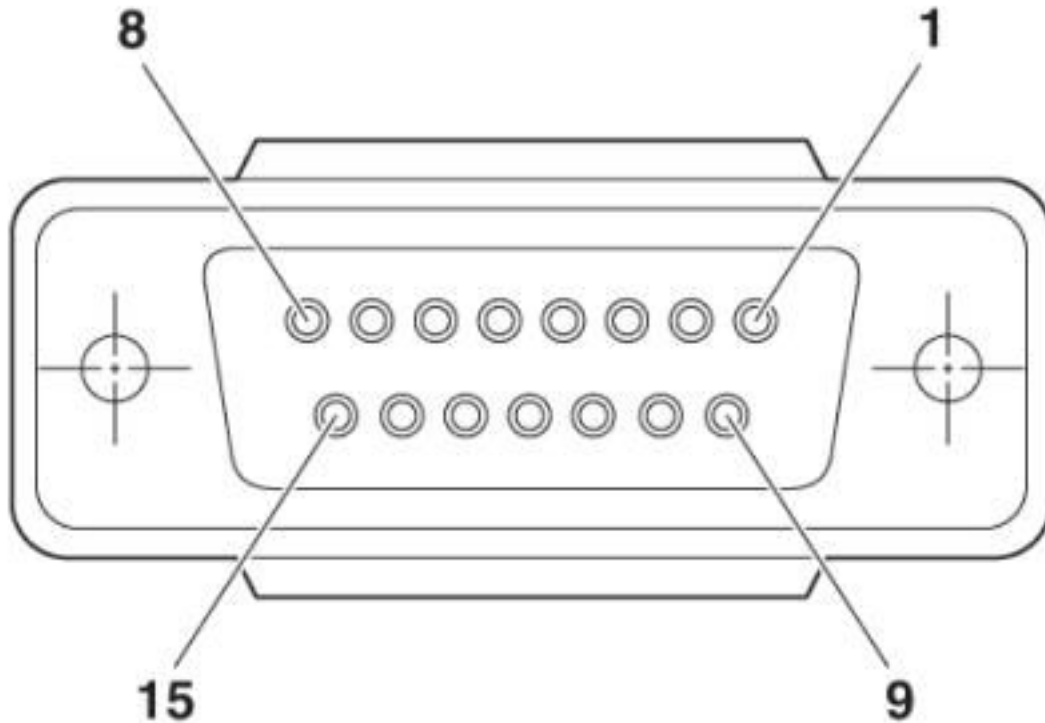


Schematic diagram



D-SUB cable - VS-15-DSUB-20-LI-5,0 - 1656288

Schematic diagram



Classifications

eCl@ss

eCl@ss 10.0.1	27060390
eCl@ss 4.0	24010400
eCl@ss 4.1	24010400
eCl@ss 5.0	19030300
eCl@ss 5.1	19030300
eCl@ss 6.0	27060300
eCl@ss 7.0	27060390
eCl@ss 8.0	27060390
eCl@ss 9.0	27060390

ETIM

ETIM 2.0	EC000830
ETIM 3.0	EC001855
ETIM 4.0	EC001855
ETIM 5.0	EC001408
ETIM 6.0	EC000748
ETIM 7.0	EC000748

D-SUB cable - VS-15-DSUB-20-LI-5,0 - 1656288

Classifications

UNSPSC

UNSPSC 6.01	31261501
UNSPSC 7.0901	31261501
UNSPSC 11	31261501
UNSPSC 12.01	31261501
UNSPSC 13.2	26121604
UNSPSC 18.0	26121604
UNSPSC 19.0	26121604
UNSPSC 20.0	26121604
UNSPSC 21.0	26121604

Approvals

Approvals

Approvals

EAC

Ex Approvals

Approval details

EAC		19060508
-----	---	----------

Phoenix Contact 2020 © - all rights reserved
<http://www.phoenixcontact.com>

PHOENIX CONTACT GmbH & Co. KG
Flachsmarktstr. 8
32825 Blomberg
Germany
Tel. +49 5235 300
Fax +49 5235 3 41200
<http://www.phoenixcontact.com>

X-ON Electronics

Largest Supplier of Electrical and Electronic Components

Click to view similar products for [D-Sub Cables](#) category:

Click to view products by [Phoenix Contact](#) manufacturer:

Other Similar products are found below :

[1200980218](#) [1200980067](#) [RB09P09P-006](#) [RB09P09P-012](#) [RB15P15P-006](#) [RB25P25P-006](#) [RB37P37P-024](#) [172-0906](#) [SHD15P15S-012](#)
[SHD15P15S-036](#) [SHD15P15S-060](#) [ACL-10137-2MM](#) [RB09P09P-024](#) [319285-3](#) [RS422-OM2](#) [SHD26P26S-060](#) [SHD44P44S-036](#) [73-](#)
[6210MM-6](#) [C200H-CN320-EU](#) [49725A 060S2](#) [73231-1321](#) [SDB-50AFFM-SL7A02](#) [49760A 060S2](#) [HDB-26AFFM-SL7A02](#) [30-9503P](#) [30-](#)
[9522P](#) [73-6220MM-6](#) [1200980058](#) [1200980066](#) [1200980078](#) [1200980052](#) [1200980093](#) [1200980028](#) [1200980021](#) [1200980127](#) [SDB-](#)
[09AFFM-SL7A02](#) [SDB-15AMMM-SL7A01](#) [BB-LDVYCBL](#) [83421-9286](#) [MLDM2L-21P-6K7-18B](#) [KSFD1](#) [MM-2J2-021-SS1-41WN](#) [HDB-](#)
[78AMMM-SL7A05](#) [SDB-37AMMM-SL7A03](#) [SDB-15AFFM-SL7A05](#) [ACC-500-163-R](#) [172-1910](#) [2900907/21.4](#) [VS-25-DSUB-20-LI-2,0](#)
[VS-25-DSUB-20-LI-5,0](#)