

# FO connecting cable - VS-PC-2XPOF-980-SCRJ/SCRJ-5 - 1656479

Please be informed that the data shown in this PDF Document is generated from our Online Catalog. Please find the complete data in the user's documentation. Our General Terms of Use for Downloads are valid (<http://phoenixcontact.com/download>)




Assembled FO cable, breakout cable, 980/1000 µm polymer fiber, SC-RJ/IP20 to SC-RJ/IP20, for installation inside control cabinets, the cable is suitable for UV-protected outdoor use, length: 5 m

## Your advantages

- Pre-assembled patch cable



## Key Commercial Data

Packing unit	1 pc
GTIN	 4 046356 029841
GTIN	4046356029841

## Technical data

### Mechanical characteristics

Connection method	POF SC-RJ
Number of slots	2
Weight	74.5 g

### Ambient conditions

Ambient temperature (operation)	-20 °C ... 70 °C
	-20 °C ... 60 °C
	-20 °C ... 70 °C
Ambient temperature (assembly)	-5 °C ... 50 °C
Ambient temperature (storage/transport)	-40 °C ... 85 °C
Degree of protection	IP20

### Material data

Contact material	Phosphor bronze
Housing material	PBT

## Environmental Product Compliance

# FO connecting cable - VS-PC-2XPOF-980-SCRJ/SCRJ-5 - 1656479

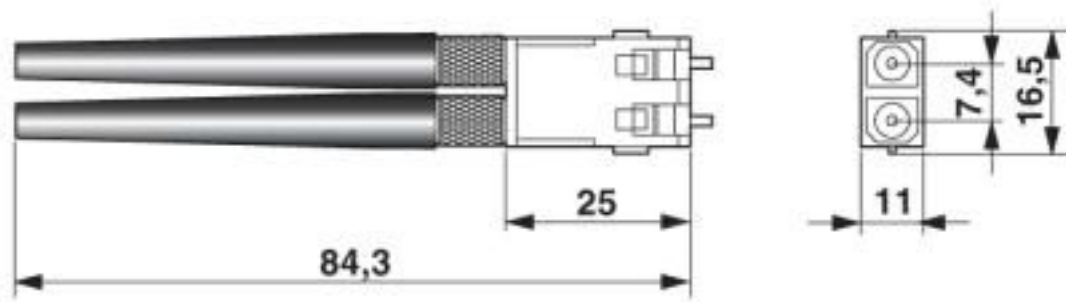
## Technical data

### Environmental Product Compliance

REACH SVHC	Lead 7439-92-1
China RoHS	Environmentally Friendly Use Period = 50 years
	For details about hazardous substances go to tab "Downloads", Category "Manufacturer's declaration"

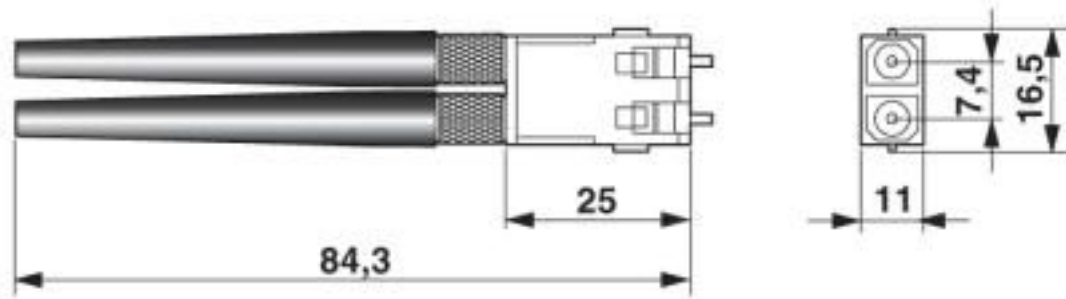
## Drawings

Dimensional drawing



SC-RJ connector, POD, IP20

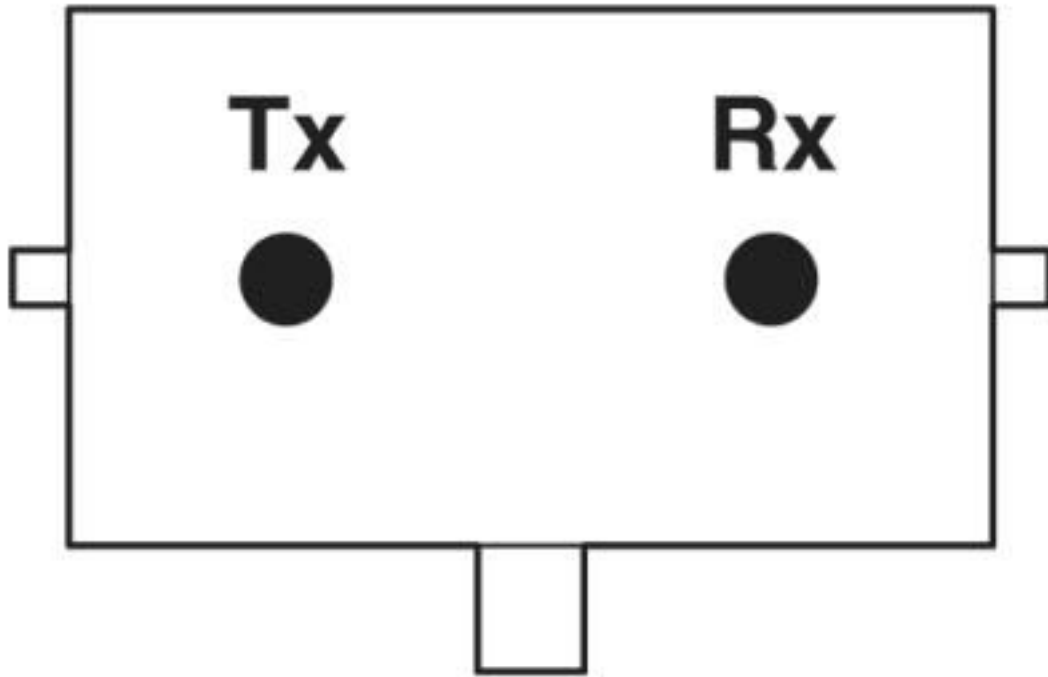
Dimensional drawing



SC-RJ connector, POD, IP20

# FO connecting cable - VS-PC-2XPOF-980-SCRJ/SCRJ-5 - 1656479

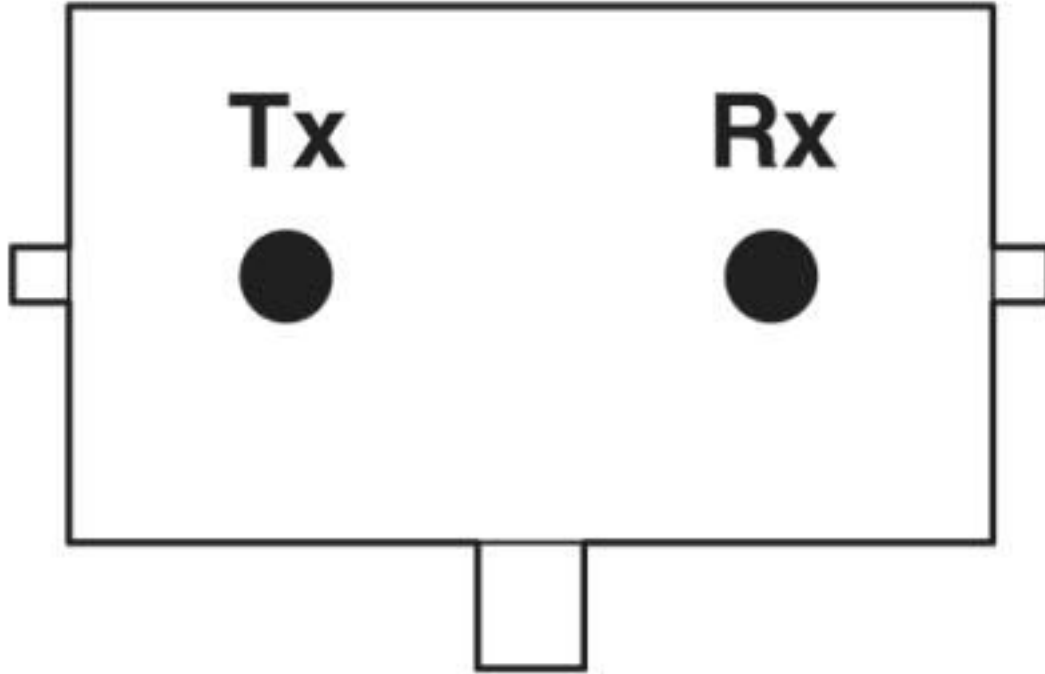
Schematic diagram



Pin assignment plug SCRJ

# FO connecting cable - VS-PC-2XPOF-980-SCRJ/SCRJ-5 - 1656479

Schematic diagram



Pin assignment plug SCRJ

## Classifications

### eCl@ss

eCl@ss 10.0.1	27061003
eCl@ss 4.0	27061000
eCl@ss 4.1	27061000
eCl@ss 5.0	27061000
eCl@ss 5.1	27061000
eCl@ss 6.0	27061000
eCl@ss 7.0	27061003
eCl@ss 8.0	27061003
eCl@ss 9.0	27061003

### ETIM

ETIM 2.0	EC000764
ETIM 3.0	EC001263
ETIM 4.0	EC001263
ETIM 5.0	EC001263
ETIM 6.0	EC001263
ETIM 7.0	EC001263

# FO connecting cable - VS-PC-2XPOF-980-SCRJ/SCRJ-5 - 1656479

## Classifications

### UNSPSC

UNSPSC 6.01	31261501
UNSPSC 7.0901	31261501
UNSPSC 11	31261501
UNSPSC 12.01	31261501
UNSPSC 13.2	26121607
UNSPSC 18.0	26121607
UNSPSC 19.0	26121607
UNSPSC 20.0	26121607
UNSPSC 21.0	26121607

## Approvals

### Approvals

---

Approvals

EAC

---

Ex Approvals

---

### Approval details

EAC		B.01742
-----	--	---------

## Accessories

### Accessories

Fiber optics connector (device side)

SC-RJ female insert - VS-SCRJ-GOF-BU/BU - 1652978



SC-RJ socket insert, duplex, for VS-A-F-IP67 panel mounting frame, can be used for fiberglass (multi-mode and single mode), PCF, and polymer fibers

### Panel mounting frame

## FO connecting cable - VS-PC-2XPOF-980-SCRJ/SCRJ-5 - 1656479

### Accessories

Panel mounting frames - VS-PPC-F1-SCRJ-MNNA-1C-F - 1405235



Push-pull panel mounting frame, IP67, metal, with Freenet system, for round mounting cutout, with seal and SC-RJ coupling (for POF, PCF, and GOF)

Panel mounting frames - FOC-V14-F1ZNI-EM/SJB - 1413964



SC-RJ panel mounting frame, IP67, for push-pull interlocking, metal, for rectangular mounting cutout, with seal and mounting screws, incl. SC-RJ coupling

Panel mounting frames - VS-A-F-IP67-BK - 1658668



Panel mounting frame, IP67, for Freenet system, for round panel cutout, with grommet, without mounting screws, color: black

### Patch panel

DIN rail adapter - VS-PP-F-SCRJ - 1658121



Patch panel, SC-RJ, DIN rail mounting, IP20, 1 slot, socket/socket, can be used for glass, multi-mode, PCF, and polymer fibers

### Additional products

FO accessories - FOC-TOOL-FERRULECLEANER-2.50 - 1407029



2.50 mm ferrule cleaner, for ST, SC, FC, E2000 (also APC), approx. 500 cleaning cycles

Phoenix Contact 2020 © - all rights reserved  
<http://www.phoenixcontact.com>

PHOENIX CONTACT GmbH & Co. KG  
Flachsmarktstr. 8  
32825 Blomberg  
Germany  
Tel. +49 5235 300  
Fax +49 5235 3 41200  
<http://www.phoenixcontact.com>

## X-ON Electronics

Largest Supplier of Electrical and Electronic Components

*Click to view similar products for [Fibre Optic Cable Assemblies](#) category:*

*Click to view products by [Phoenix Contact](#) manufacturer:*

Other Similar products are found below :

[7-21002-9](#) [760-1518](#) [FA04390-50-M-72-LC-N](#) [MLB 501 V RED](#) [MLB 501 V YELLOW](#) [1-3636-600-5208](#) [2061529-7](#) [1-6693182-0](#)  
[1754898-1](#) [21055-6](#) [FXBSCSCE2LM002](#) [3000005](#) [3-21053-2](#) [MLB 200/1 V BLACK](#) [MLB 2001 V RED](#) [MLB 2001 V YELLOW](#) [MLB 501](#)  
[V BLACK](#) [5492011-6](#) [106284-7000](#) [5492011-5](#) [5492011-8](#) [5492011-9](#) [8-21007-5](#) [2123524-2](#) [2123524-1](#) [106386-4447](#) [DFSM-SCSC-2M](#)  
[2123909-4](#) [2123909-8](#) [106273-0629](#) [2125046-1](#) [2821236-3](#) [2821310-2](#) [2821310-3](#) [2821313-4](#) [FX2ERLNLNSNM0.5](#) [CF-980062-074](#) [CF-](#)  
[901200-394](#) [CF-980062-073](#) [CF-980062-071](#) [CF-980062-075](#) [CF-980062-072](#) [17-300310-100](#) [2821236-2](#) [2821313-1](#) [G-FC-FC-S-002.0-DX-](#)  
[A-18-Y](#) [G-E2A-E2A-S-003.0-SX-A-18-Y](#) [956-322-502214](#) [FA04474](#) [1083665](#)