

Socket insert - VS-SI-SD-FR - 1656534


Please be informed that the data shown in this PDF Document is generated from our Online Catalog. Please find the complete data in the user's documentation. Our General Terms of Use for Downloads are valid (<http://phoenixcontact.com/download>)



Ground contact socket, plastic, for France

RoHS

Key Commercial Data

Packing unit	1 pc
GTIN	 4 046356 029902
GTIN	4046356029902

Technical data

Mechanical characteristics

Connection method	Screw connection
AWG solid max.	10
Conductor cross section	6 mm ²
Weight	154.2 g
Flammability rating according to UL 94	V0

Ambient conditions

Ambient temperature (operation)	-10 °C ... 60 °C
Degree of protection	IP20

Material data

Housing material	PA
Width	51 mm
Height	88 mm
Depth	68 mm
Assembly instructions	suitable for all mounting frames

Electrical characteristics

Connection cross section AWG	10
------------------------------	----

Socket insert - VS-SI-SD-FR - 1656534

Technical data

Electrical characteristics

Rated current	16 A
---------------	------

Standards and Regulations

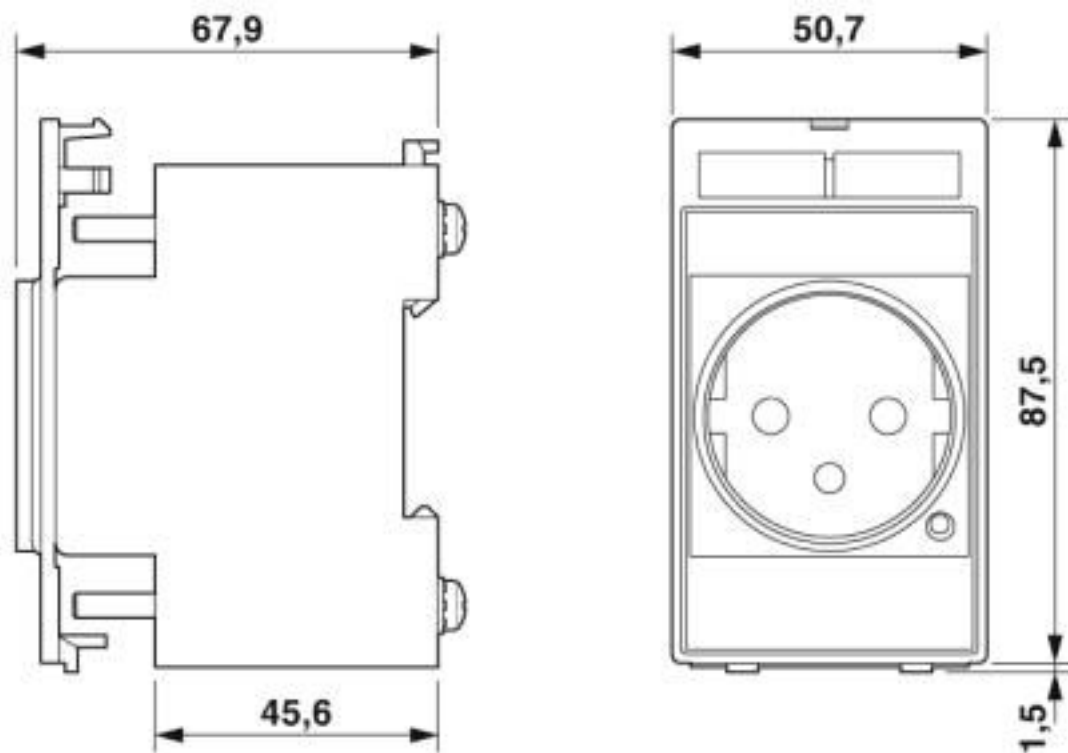
Flammability rating according to UL 94	V0
--	----

Environmental Product Compliance

REACH SVHC	Lead 7439-92-1
China RoHS	Environmentally Friendly Use Period = 50 years
	For details about hazardous substances go to tab "Downloads", Category "Manufacturer's declaration"

Drawings

Dimensional drawing



Socket insert

Classifications

eCl@ss

eCl@ss 10.0.1	27144021
eCl@ss 4.0	27142300
eCl@ss 4.1	27142300

Socket insert - VS-SI-SD-FR - 1656534

Classifications

eCl@ss

eCl@ss 5.0	27142300
eCl@ss 5.1	27142300
eCl@ss 6.0	27142300
eCl@ss 7.0	27142305
eCl@ss 8.0	27142305
eCl@ss 9.0	27144021

ETIM

ETIM 2.0	EC001121
ETIM 3.0	EC000125
ETIM 4.0	EC000125
ETIM 5.0	EC001663
ETIM 6.0	EC000450
ETIM 7.0	EC000450

UNSPSC

UNSPSC 6.01	31261501
UNSPSC 7.0901	31261501
UNSPSC 11	31261501
UNSPSC 12.01	31261501
UNSPSC 13.2	39121406
UNSPSC 19.0	39121406

Approvals

Approvals

Approvals

EAC / EAC

Ex Approvals

Approval details

EAC		EAC-Zulassung
-----	--	---------------

Socket insert - VS-SI-SD-FR - 1656534

Approvals

EAC



RU C-
DE.A*30.B.01102

Phoenix Contact 2020 © - all rights reserved
<http://www.phoenixcontact.com>

PHOENIX CONTACT GmbH & Co. KG
Flachsmarktstr. 8
32825 Blomberg
Germany
Tel. +49 5235 300
Fax +49 5235 3 41200
<http://www.phoenixcontact.com>

X-ON Electronics

Largest Supplier of Electrical and Electronic Components

Click to view similar products for [Power to the Board](#) category:

Click to view products by [Phoenix Contact](#) manufacturer:

Other Similar products are found below :

[6450171-4](#) [6450552-7](#) [6600323-8](#) [6643429-1](#) [6646040-2](#) [6651939-1](#) [6766604-1](#) [120959-1](#) [1393557-2](#) [1393532-2](#) [1393532-3](#) [1393532-4](#)
[1393557-1](#) [1600812-5](#) [1-6450861-2](#) [1744132-7](#) [1761122-1](#) [1766250-1](#) [1892109-1](#) [2-6450860-5](#) [2-6450870-0](#) [1-6450161-4](#) [1-6450850-6](#) [1-](#)
[6450869-6](#) [1645526-2](#) [1-6600130-0](#) [2005243-2](#) [377-0020-11130](#) [TE34-12-16P-F0](#) [51700-10201602AALF](#) [5-6450830-6](#) [5646956-4](#) [377-](#)
[0080-11131A](#) [4-6450830-9](#) [4-6600333-3](#) [10125416-4050LF](#) [10130248-005LF](#) [6600320-3](#) [3-6450860-5](#) [1888123-2](#) [6450166-1](#) [6643978-1](#)
[6766605-1](#) [701-15-02109](#) [N11444](#) [6651938-1](#) [6450810-7](#) [46437-1112](#) [1-1589677-8](#) [5646956-5](#)