

FO connectors - VS-SCRJ-HCS-FA-IP67 - 1657012

Please be informed that the data shown in this PDF Document is generated from our Online Catalog. Please find the complete data in the user's documentation. Our General Terms of Use for Downloads are valid (<http://phoenixcontact.com/download>)



SC-RJ fiber optic connector, IP67, duplex, with fast connection technology, for PCF fiber 200/230 μm, for individual wire diameter 2.9 mm, for cable cross section 5.0 mm ... 8.5 mm



Key Commercial Data

Packing unit	1 pc
GTIN	
GTIN	4046356081375

Technical data

Mechanical characteristics

Minimum external conductor diameter	5 mm
Maximum external conductor diameter	8.5 mm
Cable outlet	straight
No. of cable outlets	1
Weight	43.5 g
Flammability rating according to UL 94	V0

Ambient conditions

Ambient temperature (operation)	-20 °C ... 70 °C
Degree of protection	IP67

Material data

Housing material	PA
Width	38.4 mm
Height	22.8 mm
Length	125 mm

Optical characteristics

Attenuation	≤ 1 dB (Insertion attenuation)
-------------	--------------------------------

FO connectors - VS-SCRJ-HCS-FA-IP67 - 1657012

Technical data

Standards and Regulations

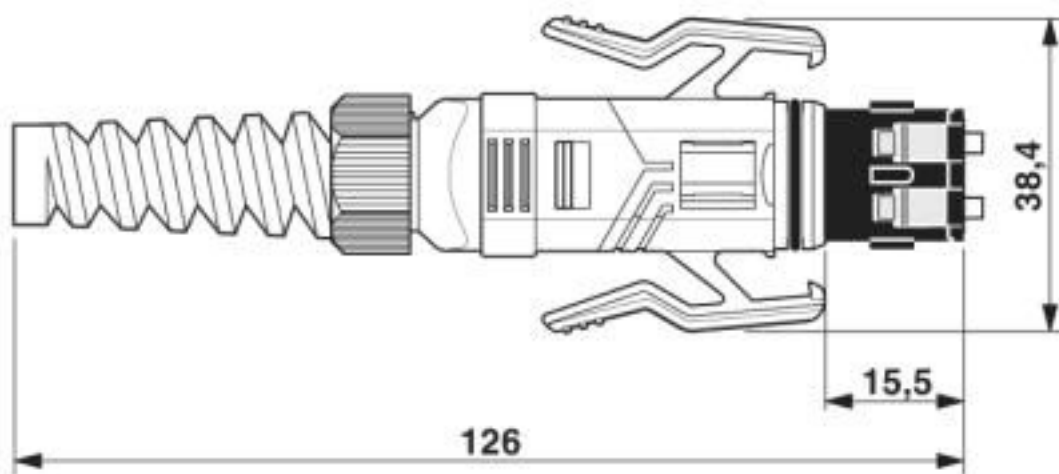
Flammability rating according to UL 94	V0
--	----

Environmental Product Compliance

China RoHS	Environmentally friendly use period: unlimited = EFUP-e
	No hazardous substances above threshold values

Drawings

Dimensional drawing



SC-RJ connector IP67

Classifications

eCl@ss

eCl@ss 10.0.1	19170122
eCl@ss 4.0	27260700
eCl@ss 4.1	27260700
eCl@ss 5.0	27260700
eCl@ss 5.1	27260700
eCl@ss 6.0	27260700
eCl@ss 7.0	27440312
eCl@ss 8.0	19170122
eCl@ss 9.0	19170122

ETIM

ETIM 3.0	EC001122
ETIM 4.0	EC001122
ETIM 5.0	EC001122
ETIM 6.0	EC001122

FO connectors - VS-SCRJ-HCS-FA-IP67 - 1657012

Classifications

ETIM

ETIM 7.0	EC001122
----------	----------

UNSPSC

UNSPSC 6.01	30211832
UNSPSC 7.0901	31261501
UNSPSC 11	31261501
UNSPSC 12.01	31261501
UNSPSC 13.2	43223310
UNSPSC 18.0	43223310
UNSPSC 19.0	43223310
UNSPSC 20.0	43223310
UNSPSC 21.0	43223310

Approvals

Approvals

Approvals

UL Listed / EAC

Ex Approvals

Approval details

UL Listed		http://database.ul.com/cgi-bin/XYV/template/LISEXT/1FRAME/index.htm E308814-20070105
-----------	--	--

EAC		B.01742
-----	--	---------

Accessories

Accessories

Data plug

FO connectors - VS-SCRJ-HCS-FA-IP67 - 1657012

Accessories

Assembly tool - PSM-HCS-KONFTOOL/SC-RJ - 2708876



HCS assembly kit for SC-RJ quick mounting connectors, including stripping blade, stripping pliers, aramide yarn scissors, fiber stripper, microscope, fiber cleaving tool for standard HCS and HCS GI fibers, two SC-RJ connectors for standard HCS fiber, and documentation

Protective cover

Protective covers - VS-SCRJ-PC - 1653757



IP67 protective cover, for covering the male inserts in the sleeve housings IP67, VS-SC-RJ-..., VS-04-..., VS-06-... and VS-08-...

Phoenix Contact 2020 © - all rights reserved
<http://www.phoenixcontact.com>

PHOENIX CONTACT GmbH & Co. KG
Flachsmarktstr. 8
32825 Blomberg
Germany
Tel. +49 5235 300
Fax +49 5235 3 41200
<http://www.phoenixcontact.com>

X-ON Electronics

Largest Supplier of Electrical and Electronic Components

Click to view similar products for [Fibre Optic Connectors](#) category:

Click to view products by [Phoenix Contact](#) manufacturer:

Other Similar products are found below :

[0004700001](#) [6100-R](#) [6313](#) [F709034706](#) [F709722200](#) [F709730000](#) [F718183204](#) [F727403500](#) [F727752800](#) [8119](#) [9440F20-27S-190](#) [944-120-6001](#) [9441F10SL-3S](#) [9444W28-21S](#) [9444W36-10S](#) [9446F10SL-4S](#) [9446W20-16S](#) [953-101-5310-P](#) [954-101-57202B](#) [A0270169](#) [12-9122](#) [12-5702](#) [AX101713](#) [AX102420](#) [AX103923](#) [AX104024](#) [AX104193](#) [AX104230](#) [AX104562](#) [AX105203-B25](#) [AX105205-S1](#) [EHSC2M](#) [17-300800](#) [181-011-126](#) [181-011-S](#) [181-057-126](#) [HRFC-R2\(40\)](#) [NKSOPBUY](#) [20500002116](#) [2064996-1](#) [20800001065](#) [2170](#) [9132](#) [2612](#) [2620](#) [9291](#) [9440F16-10S](#) [9440F20-18S](#) [9446F16-10S-190](#) [953-106-50231](#)