

# FO connecting cable - VS-PC-2X-POF-980-SCRJ/FSMA-1 - 1657106


Please be informed that the data shown in this PDF Document is generated from our Online Catalog. Please find the complete data in the user's documentation. Our General Terms of Use for Downloads are valid (<http://phoenixcontact.com/download>)



Assembled FO cable, break-out cable, polymer fiber 980/1000 μm, SC-RJ/IP20 on FSMA/IP20, for installation inside the control cabinets, the conductor is suitable for the UV-protected outside insert, length: 1 m



## Key Commercial Data

Packing unit	1 pc
GTIN	 4 046356 100168
GTIN	4046356100168

## Technical data

### Mechanical characteristics

Connection method	POF SC-RJ
Number of slots	2
Weight	35.9 g

### Ambient conditions

Ambient temperature (operation)	-30 °C ... 70 °C
	-20 °C ... 60 °C
	-20 °C ... 70 °C
Ambient temperature (assembly)	-5 °C ... 50 °C
Ambient temperature (storage/transport)	-40 °C ... 85 °C
Degree of protection	IP20

### Material data

Housing material	PBT/nickel silver
------------------	-------------------

### Environmental Product Compliance

REACH SVHC	Lead 7439-92-1
China RoHS	Environmentally Friendly Use Period = 50 years

# FO connecting cable - VS-PC-2X-POF-980-SCRJ/FSMA-1 - 1657106

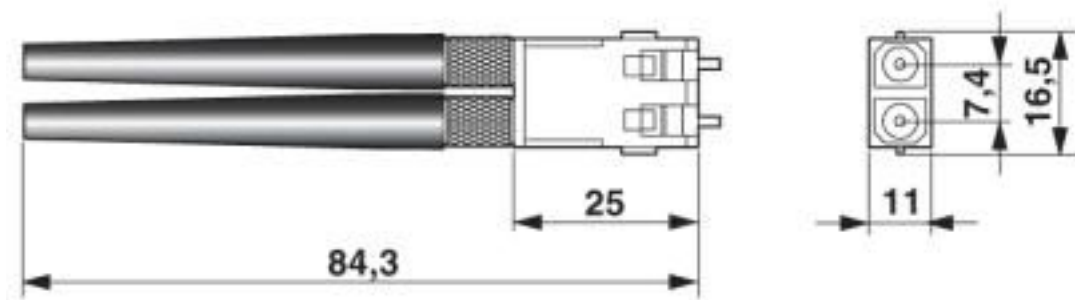
## Technical data

### Environmental Product Compliance

	For details about hazardous substances go to tab "Downloads", Category "Manufacturer's declaration"
--	---

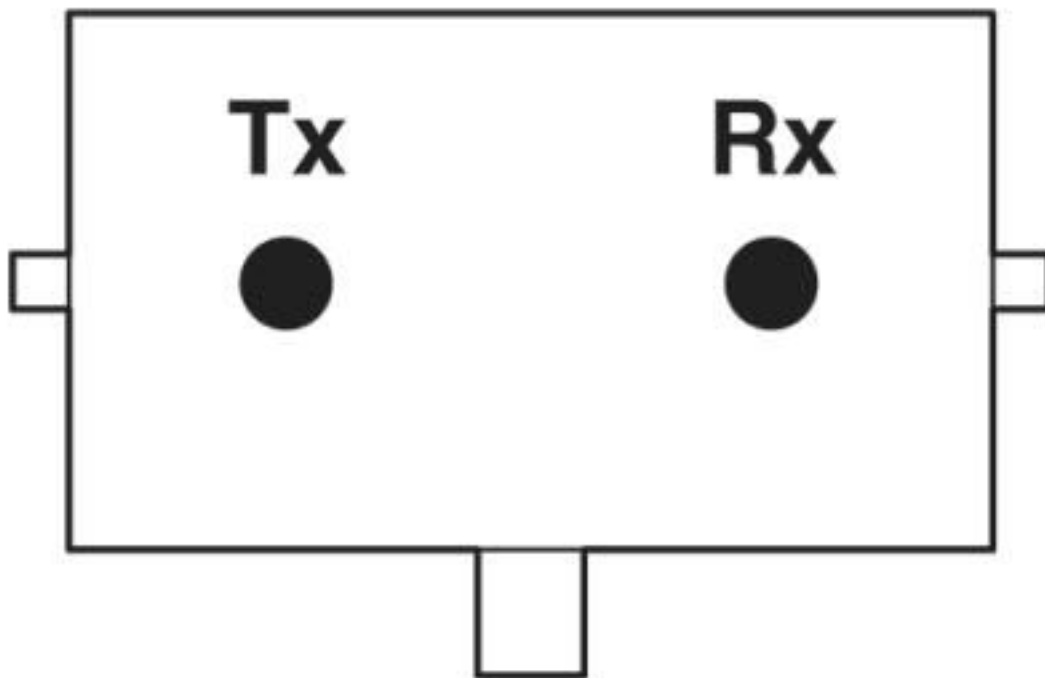
## Drawings

Dimensional drawing



SC-RJ connector IP20

Schematic diagram



Pin assignment plug SCRJ

# FO connecting cable - VS-PC-2X-POF-980-SCRJ/FSMA-1 - 1657106

## Classifications

### eCl@ss

eCl@ss 10.0.1	27061003
eCl@ss 4.0	24010400
eCl@ss 4.1	24010400
eCl@ss 5.0	19030300
eCl@ss 5.1	19030300
eCl@ss 6.0	27061800
eCl@ss 7.0	27061803
eCl@ss 8.0	27061003
eCl@ss 9.0	27061003

### ETIM

ETIM 3.0	EC000034
ETIM 4.0	EC001476
ETIM 5.0	EC001263
ETIM 6.0	EC001263
ETIM 7.0	EC001263

### UNSPSC

UNSPSC 6.01	31261501
UNSPSC 7.0901	31261501
UNSPSC 11	31261501
UNSPSC 12.01	31261501
UNSPSC 13.2	26121607
UNSPSC 18.0	26121607
UNSPSC 19.0	26121607
UNSPSC 20.0	26121607
UNSPSC 21.0	26121607

## Approvals

### Approvals

---

Approvals

EAC

---

Ex Approvals

---

### Approval details

## FO connecting cable - VS-PC-2X-POF-980-SCRJ/FSMA-1 - 1657106

### Approvals

EAC



B.01687

Phoenix Contact 2020 © - all rights reserved  
<http://www.phoenixcontact.com>

PHOENIX CONTACT GmbH & Co. KG  
Flachsmarktstr. 8  
32825 Blomberg  
Germany  
Tel. +49 5235 300  
Fax +49 5235 3 41200  
<http://www.phoenixcontact.com>

## X-ON Electronics

Largest Supplier of Electrical and Electronic Components

*Click to view similar products for [Fibre Optic Cable Assemblies](#) category:*

*Click to view products by [Phoenix Contact](#) manufacturer:*

Other Similar products are found below :

[7-21002-9](#) [760-1518](#) [FA04390-50-M-72-LC-N](#) [MLB 501 V RED](#) [MLB 501 V YELLOW](#) [1-3636-600-5208](#) [2061529-7](#) [1-6693182-0](#)  
[1754898-1](#) [21055-6](#) [FXBSCSCE2LM002](#) [3000005](#) [3-21053-2](#) [MLB 200/1 V BLACK](#) [5492011-6](#) [106284-7000](#) [5492011-5](#) [5492011-8](#)  
[5492011-9](#) [8-21007-5](#) [2123524-2](#) [2123524-1](#) [106386-4447](#) [DFSM-SCSC-2M](#) [2123909-4](#) [2123909-8](#) [106273-0629](#) [2125046-1](#) [2821236-3](#)  
[2821310-2](#) [2821310-3](#) [2821313-4](#) [FX2ERLNLNSNM0.5](#) [CF-980062-074](#) [CF-901200-394](#) [CF-980062-073](#) [CF-980062-071](#) [CF-980062-075](#)  
[CF-980062-072](#) [17-300310-100](#) [2821236-2](#) [2821313-1](#) [G-FC-FC-S-002.0-DX-A-18-Y](#) [G-E2A-E2A-S-003.0-SX-A-18-Y](#) [956-322-502214](#)  
[FA04474](#) [1083665](#) [1111540](#) [1111843](#) [1115533](#)