

FO connectors - VS-PPC-C1-SCRJ-POBK-PG9-A4D-C - 1657850


Please be informed that the data shown in this PDF Document is generated from our Online Catalog. Please find the complete data in the user's documentation. Our General Terms of Use for Downloads are valid (<http://phoenixcontact.com/download>)



SC-RJ fiber optic connector, IP67, with push-pull interlocking, plastic housing, duplex, with fast connection technology, for polymer fiber 980/1000 µm, for individual wire diameter 2.2 mm, for cable cross section 6.5 mm ... 9.5 mm



Key Commercial Data

Packing unit	1 pc
GTIN	 4 046356 131926
GTIN	4046356131926

Technical data

Mechanical characteristics

Minimum external conductor diameter	6.5 mm
Maximum external conductor diameter	9.5 mm
Degree of pollution	2
Locking type	Push Pull
Weight	32.54 g
Flammability rating according to UL 94	V0

Ambient conditions

Ambient temperature (operation)	-20 °C ... 70 °C
Degree of protection	IP67

Material data

Housing material	PA-GF
Width	22 mm
Height	30 mm
Length	62.5 mm

Electrical characteristics

Number of positions	2
---------------------	---

FO connectors - VS-PPC-C1-SCRJ-POBK-PG9-A4D-C - 1657850

Technical data

Electrical characteristics

Degree of pollution	2
Attenuation	≤ 1.5 dB (Insertion attenuation)

Standards and Regulations

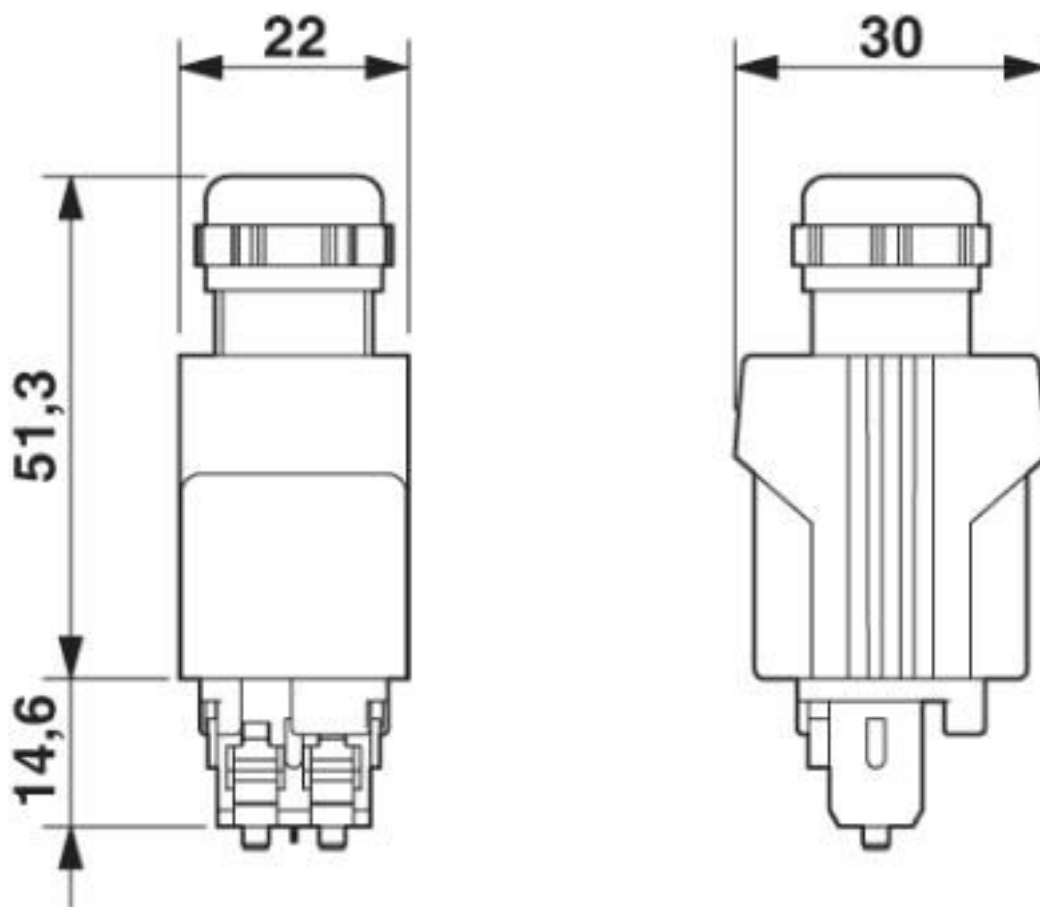
Standards/specifications	IEC PAS 61076-3-117
Flammability rating according to UL 94	V0

Environmental Product Compliance

REACH SVHC	Lead 7439-92-1
China RoHS	Environmentally Friendly Use Period = 50 years
	For details about hazardous substances go to tab "Downloads", Category "Manufacturer's declaration"

Drawings

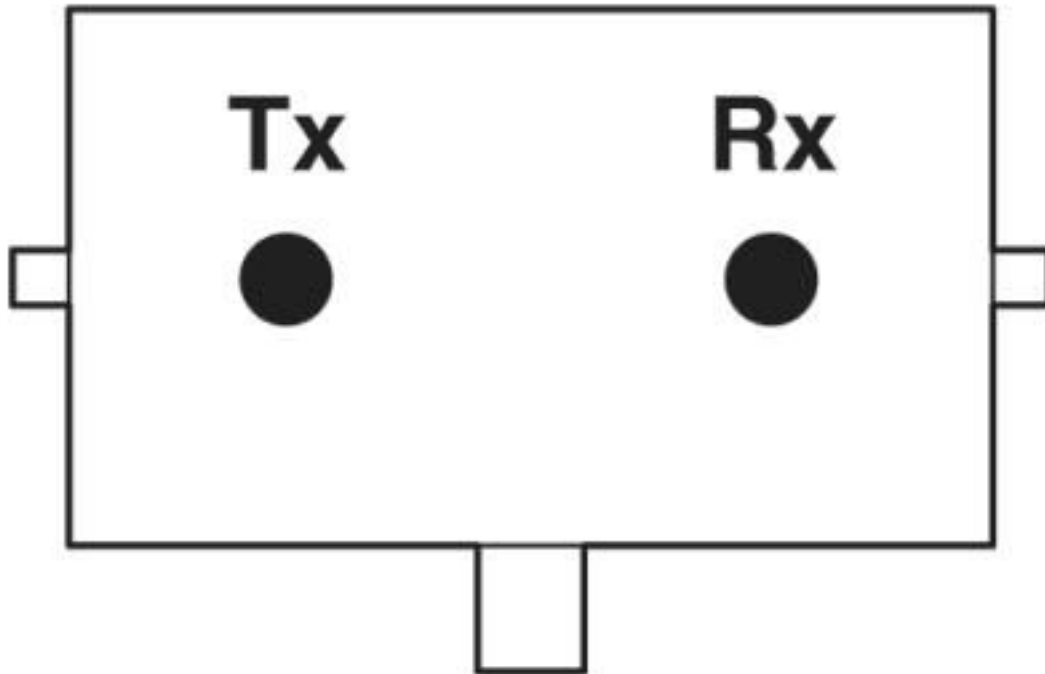
Dimensional drawing



Push-Pull SC-RJ connector IP65/67

FO connectors - VS-PPC-C1-SCRJ-POBK-PG9-A4D-C - 1657850

Schematic diagram



Classifications

eCl@ss

eCl@ss 10.0.1	19170122
eCl@ss 4.0	27260700
eCl@ss 4.1	27260700
eCl@ss 5.0	27260700
eCl@ss 5.1	27260700
eCl@ss 6.0	27260700
eCl@ss 7.0	27440312
eCl@ss 8.0	19170122
eCl@ss 9.0	19170122

ETIM

ETIM 3.0	EC001122
ETIM 4.0	EC001122
ETIM 5.0	EC001122
ETIM 6.0	EC001122
ETIM 7.0	EC001122

UNSPSC

UNSPSC 6.01	31261501
UNSPSC 7.0901	31261501

FO connectors - VS-PPC-C1-SCRJ-POBK-PG9-A4D-C - 1657850

Classifications

UNSPSC

UNSPSC 11	31261501
UNSPSC 12.01	31261501
UNSPSC 13.2	43223310
UNSPSC 18.0	43223310
UNSPSC 19.0	43223310
UNSPSC 20.0	43223310
UNSPSC 21.0	43223310

Approvals

Approvals

Approvals

UL Listed / EAC

Ex Approvals

Approval details

UL Listed		http://database.ul.com/cgi-bin/XYV/template/LISEXT/1FRAME/index.htm E308814-20070105
-----------	--	--

EAC		B.01687
-----	--	---------

Accessories

Accessories

Assembly tool

Tool set - TF-SCRJ-POF KONF SET - 1405246



SC-RJ cutting tool set, for polymer fiber, for field assembly of SC-RJ/IP20 and SC-RJ/IP67 push/pull connectors with fast connection technology, consisting of stripping tool, aramid scissors, SC-RJ cutting tool, microscope

Data plug

FO connectors - VS-PPC-C1-SCRJ-POBK-PG9-A4D-C - 1657850

Accessories

FO accessories - WIREFOX-PN POF - 1405249



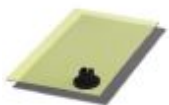
Sheath stripping tool, for polymer fiber

FO accessories - VS-SCRJ-POF-KONFTOOL-POLISH - 1658820



SC-RJ polishing tool set, for polymer fiber, for field assembly of the SC-RJ connector (IP20/IP67) with fast connection technology, with stripping tool, diagonal cutter, aramid scissors, polishing materials, microscope, 2x SC-RJ connector IP20

FO accessories - VS-SCRJ-POF-POLISH - 1656673



Refilling set for VS-SC-RJ-POF-KONFTOOL-POLISH, consisting of two polishing discs and a polisher

Phoenix Contact 2020 © - all rights reserved
<http://www.phoenixcontact.com>

PHOENIX CONTACT GmbH & Co. KG
Flachsmarktstr. 8
32825 Blomberg
Germany
Tel. +49 5235 300
Fax +49 5235 3 41200
<http://www.phoenixcontact.com>

X-ON Electronics

Largest Supplier of Electrical and Electronic Components

Click to view similar products for [Fibre Optic Connectors](#) category:

Click to view products by [Phoenix Contact](#) manufacturer:

Other Similar products are found below :

[0004700001](#) [6100-R](#) [6313](#) [F709034706](#) [F709722200](#) [F709730000](#) [F718183204](#) [F727403500](#) [F727752800](#) [8119](#) [9440F20-27S-190](#) [944-120-6001](#) [9441F10SL-3S](#) [9444W28-21S](#) [9444W36-10S](#) [9446F10SL-4S](#) [9446W20-16S](#) [953-101-5310-P](#) [954-101-57202B](#) [A0270169](#) [12-9122](#) [12-5702](#) [AX101713](#) [AX102420](#) [AX103923](#) [AX104024](#) [AX104193](#) [AX104230](#) [AX104562](#) [AX105203-B25](#) [AX105205-S1](#) [EHSC2M](#) [17-300800](#) [181-011-126](#) [181-011-S](#) [181-057-126](#) [HRFC-R2\(40\)](#) [NKSOPBUY](#) [20500002116](#) [2064996-1](#) [20800001065](#) [2170](#) [9132](#) [2612](#) [2620](#) [9291](#) [9440F16-10S](#) [9440F20-18S](#) [9446F16-10S-190](#) [953-106-50231](#)