

DIN rail adapter - VS-PP-F-SCRJ - 1658121

Please be informed that the data shown in this PDF Document is generated from our Online Catalog. Please find the complete data in the user's documentation. Our General Terms of Use for Downloads are valid (<http://phoenixcontact.com/download>)



Patch panel, SC-RJ, DIN rail mounting, IP20, 1 slot, socket/socket, can be used for glass, multi-mode, PCF, and polymer fibers

Product Description

Freenet system

Your advantages

- DIN rail mounting
- Compact dimensions
- Individual marking field
- Suitable for all fiber types



Key Commercial Data

Packing unit	1 pc
GTIN	
GTIN	4046356149167

Technical data

Mechanical characteristics

Connection method	Coupling
Number of slots	1
Minimum external conductor diameter	4.5 mm
Maximum external conductor diameter	9 mm
Weight	48.3 g
Type	SC-RJ
Flammability rating according to UL 94	V0

Ambient conditions

Ambient temperature (operation)	-10 °C ... 60 °C
Ambient temperature (storage/transport)	-40 °C ... 70 °C

DIN rail adapter - VS-PP-F-SCRJ - 1658121

Technical data

Ambient conditions

Degree of protection	IP20
----------------------	------

Material data

Housing material	PC-GF
Width	26.8 mm
Height	71 mm
Length	81.4 mm
Mounting type	DIN rail mounting

Electrical characteristics

Number of positions	2
---------------------	---

Standards and Regulations

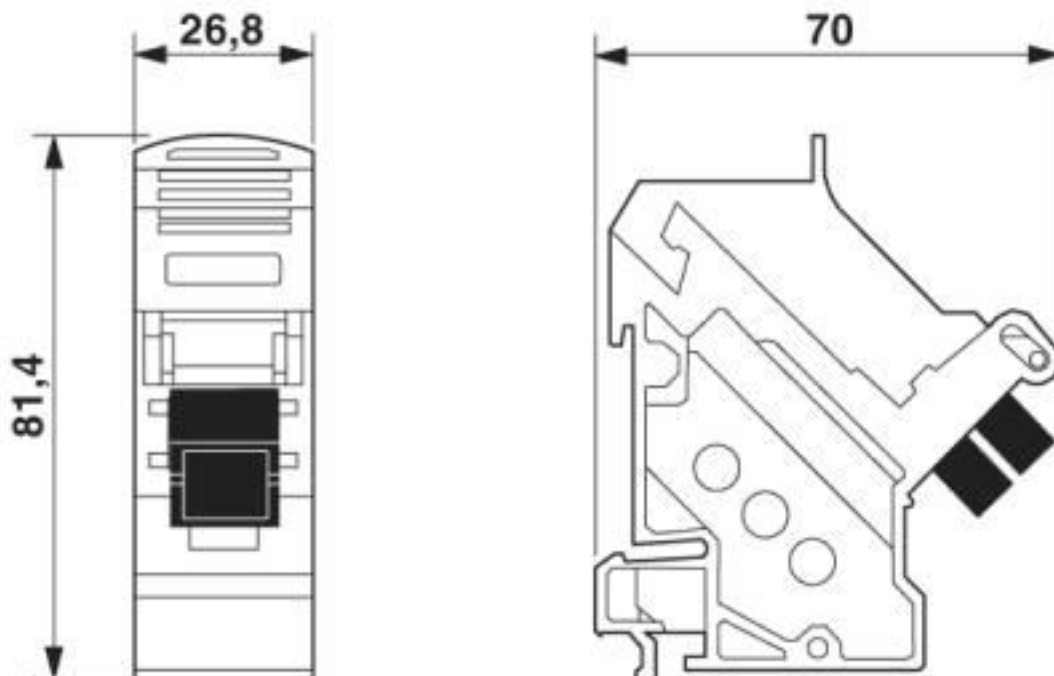
Flammability rating according to UL 94	V0
--	----

Environmental Product Compliance

China RoHS	Environmentally friendly use period: unlimited = EFUP-e
	No hazardous substances above threshold values

Drawings

Dimensional drawing



SCRJ patch panel

DIN rail adapter - VS-PP-F-SCRJ - 1658121

Classifications

eCl@ss

eCl@ss 10.0.1	19170112
eCl@ss 4.0	27260700
eCl@ss 4.1	27260700
eCl@ss 5.0	19030100
eCl@ss 5.1	19030100
eCl@ss 6.0	19170100
eCl@ss 7.0	19170112
eCl@ss 8.0	19170112
eCl@ss 9.0	19170112

ETIM

ETIM 3.0	EC001128
ETIM 4.0	EC001128
ETIM 5.0	EC002599
ETIM 6.0	EC002599
ETIM 7.0	EC002599

UNSPSC

UNSPSC 6.01	31261501
UNSPSC 7.0901	31261501
UNSPSC 11	31261501
UNSPSC 12.01	31261501
UNSPSC 13.2	26121604
UNSPSC 18.0	43223309
UNSPSC 19.0	43223309
UNSPSC 20.0	43223309
UNSPSC 21.0	43223309

Approvals

Approvals

Approvals

EAC

Ex Approvals

Approval details

DIN rail adapter - VS-PP-F-SCRJ - 1658121

Approvals

EAC		B.01742
-----	---	---------

Accessories

Accessories

Data cable preassembled

FO patch cable - FOC-SC:A-SJ:A-GZ01/... - 1405700



Assembled FO cable, zip cord cable, multi-mode fiberglass 50/125 µm, OM2, plug: SC duplex/SC-RJ, degree of protection: IP20, for installation in cable ducts or control cabinets

FO patch cable - FOC-SJ:A-SJ:A-GZ02/... - 1405704



Assembled FO cable, zip cord cable, multi-mode fiberglass 50/125 µm, OM3, plug: SC-RJ/SC-RJ, degree of protection: IP20, for installation in cable ducts or control cabinets

FO patch cable - FOC-SJ:A-SJ:A-GZ03/... - 1405705



Assembled FO cable, zip cord cable, multi-mode fiberglass 50/125 µm, OM4, plug: SC-RJ/SC-RJ, degree of protection: IP20, for installation in cable ducts or control cabinets

FO patch cable - FOC-LC:A-SJ:A-GZ01/... - 1405694



Assembled FO cable, zip cord cable, multi-mode fiberglass 50/125 µm, OM2, plug: LC/SC-RJ, degree of protection: IP20, for installation in cable ducts or control cabinets

DIN rail adapter - VS-PP-F-SCRJ - 1658121

Accessories

FO patch cable - FOC-LC:A-SJ:A-GZ02/... - 1405695



Assembled FO cable, zip cord cable, multi-mode fiberglass 50/125 µm, OM3, plug: LC/SC-RJ, degree of protection: IP20, for installation in cable ducts or control cabinets

FO patch cable - FOC-LC:A-SJ:A-GZ03/... - 1405696



Assembled FO cable, zip cord cable, multi-mode fiberglass 50/125 µm, OM4, plug: LC/SC-RJ, degree of protection: IP20, for installation in cable ducts or control cabinets

FO patch cable - FOC-ST:A-SJ:A-GZ01/... - 1405710



Assembled FO cable, zip cord cable, multi-mode fiberglass 50/125 µm, OM2, plug: B-FOC (ST)/SC-RJ, degree of protection: IP20, for installation in cable ducts or control cabinets

FO patch cable - FOC-ST:A-SJ:A-GZ02/... - 1405711



Assembled FO cable, zip cord cable, multi-mode fiberglass 50/125 µm, OM3, plug: ST/SC-RJ, degree of protection: IP20, for installation in cable ducts or control cabinets

FO patch cable - FOC-SC:A-SJ:A-GZ01/... - 1405700



Assembled FO cable, zip cord cable, multi-mode fiberglass 50/125 µm, OM2, plug: SC duplex/SC-RJ, degree of protection: IP20, for installation in cable ducts or control cabinets

DIN rail adapter - VS-PP-F-SCRJ - 1658121

Accessories

FO patch cable - FOC-SC:A-SJ:A-GZ02/... - 1405701



Assembled FO cable, zip cord cable, multi-mode fiberglass 50/125 μm , OM3, plug: SC/SC-RJ, degree of protection: IP20, for installation in cable ducts or control cabinets

FO patch cable - FOC-ST:A-SJ:A-GZ02/... - 1405711



Assembled FO cable, zip cord cable, multi-mode fiberglass 50/125 μm , OM3, plug: ST/SC-RJ, degree of protection: IP20, for installation in cable ducts or control cabinets

Fiber optic connector (cable side)

FO connectors - FOC-C-SCRJ-GOF-MM - 1411290



SC-RJ connector, with long bend protection, for multi-mode 50/125 μm , beige

FO connectors - FOC-C-SCRJ-GOF-SM-PC - 1411291



SC-RJ connector, with long bend protection, for single mode 9/125 μm , PC polishing, blue

FO connectors - FOC-C-SCRJ-PCF - 1411304



SC-RJ connector, with bend protection, for 200/230 μm , 50/200/230 μm , and 62.5/200/230 μm PCF fibers

DIN rail adapter - VS-PP-F-SCRJ - 1658121

Accessories

FO connectors - VS-SCRJ-POF-FA-IP20 - 1654879



SC-RJ fiber optic connector, IP20, duplex, with fast connection technology, for polymer fiber 980/1000 μm , for individual wire diameter 2.2 mm

Mounting rail adapter

DIN rail adapter - FL DIN RA - 2891053



The FL DIN RA is installed in a standard, 19-inch rack (EIA-310-D, IEC 60297-3-100) to allow DIN rail mounted equipment to be rack mounted.

Additional products

FO accessories - FOC-TOOL-FERRULECLEANER-2.50 - 1407029



2.50 mm ferrule cleaner, for ST, SC, FC, E2000 (also APC), approx. 500 cleaning cycles

Phoenix Contact 2020 © - all rights reserved
<http://www.phoenixcontact.com>

PHOENIX CONTACT GmbH & Co. KG
Flachsmarktstr. 8
32825 Blomberg
Germany
Tel. +49 5235 300
Fax +49 5235 3 41200
<http://www.phoenixcontact.com>

X-ON Electronics

Largest Supplier of Electrical and Electronic Components

Click to view similar products for [Modular Connectors / Ethernet Connectors](#) category:

Click to view products by [Phoenix Contact](#) manufacturer:

Other Similar products are found below :

[8949-H88/06BLKA/SN](#) [74441-0010/BKN](#) [MP1010RX-1000](#) [MP44RX-1000](#) [PHP-6P6C-5](#) [GAX-3-66](#) [GAX-8-62](#) [GDCX-PA-66-50](#) [GDCX-PN-64](#) [GDCX-PN-66](#) [GDCX-PN-66-50](#) [GDLX-A-66](#) [GDLX-N-66](#) [GDLX-S-66](#) [GDLX-S-88K](#) [GDTX-S-88-50](#) [GDX-PA-1010](#) [GLX-N-1010M-BLK](#) [GLX-S-88M-BLK](#) [GMX-N-1010](#) [GMX-S-1010](#) [GMX-S-66](#) [GMX-SMT4-N-88](#) [GPX-2-64](#) [GSGX-N-2-88](#) [GSGX-N-4-88](#) [GSX-NS2-88-3.05](#) [GSX-NS2-88-3.05-50](#) [GSX-NS-88-3.05-50](#) [PT-108A-8C-UL](#) [PT-J951-8C](#) [PTS-J531-8CS-50UL](#) [1-1775629-2](#) [A-2014-0-4](#) [GWLX-S-88-GR](#) [GWLX-S9-88-YG](#) [DC-1021-8-WH-6](#) [1300530003](#) [1324640-4](#) [RJ11FTVC2G](#) [RJ11FTVC2N](#) [RJFTVX2SA1G](#) [132764-001](#) [1413235](#) [MP88X-1000](#) [MPS88RX-5000](#) [E5288-S000K3-L](#) [E5908-15A242-L](#) [155302-001](#) [AX100653](#)