

RJ45 connector - VS-PN-RJ45-5-Q/IP20 - 1658435

Please be informed that the data shown in this PDF Document is generated from our Online Catalog. Please find the complete data in the user's documentation. Our General Terms of Use for Downloads are valid (<http://phoenixcontact.com/download>)



RJ45 connector, degree of protection: IP20, number of positions: 4, 100 Mbps, CAT5 (IEC 11801:2002), material: PA, connection method: IDC fast connection, cable outlet: straight, color: traffic grey A RAL 7042



Key Commercial Data

Packing unit	1 pc
GTIN	
GTIN	4046356163118

Technical data

Mechanical characteristics

Connection method	IDC fast connection
Overvoltage category	I
AWG solid min.	22
AWG multi-stranded min.	22
Insertion/withdrawal cycles	≥ 1000
Number of positions	4
Degree of pollution	1
Cable outlet	straight
No. of cable outlets	1
Locking type	Locking clips
Conductor cross section	0.32 mm ² ... 0.32 mm ² (solid) 0.34 mm ² ... 0.34 mm ² (flexible)
Weight	10.2 g
Flammability rating according to UL 94	V0

Ambient conditions

Ambient temperature (operation)	-20 °C ... 70 °C
Ambient temperature (storage/transport)	-40 °C ... 70 °C

RJ45 connector - VS-PN-RJ45-5-Q/IP20 - 1658435

Technical data

Material data

Contact surface material	Au/Ni
Contact material	Cu/Sn
Contact carrier material	PC
Cable gland material	PA
Housing material	PA
Width	14 mm
Height	14.6 mm
Length	56 mm
Housing surface material 1	PA, light gray

Electrical characteristics

Number of positions	4
Nominal voltage U_N	48 V
Nominal current I_N	1.75 A
Transmission speed	100 Mbps
Transmission characteristics (category)	CAT5 (IEC 11801:2002)
GRP transmission properties	CAT5 (IEC 11801:2002) CAT5 (IEC 11801:2002)
Transmission speed	100 Mbps
Frequency range	100 MHz
Rated current	1.75 A
Overvoltage category	I
Degree of pollution	1
Contact resistance	< 0.001 Ω (Wire – IDC)
	< 0.005 Ω (Litz wires – IDC)
Rated voltage (III/3)	72 V (DC)
Insulation resistance	> 500 M Ω (100 V)

Standards and Regulations

Connection in acc. with standard	CUL
Flammability rating according to UL 94	V0

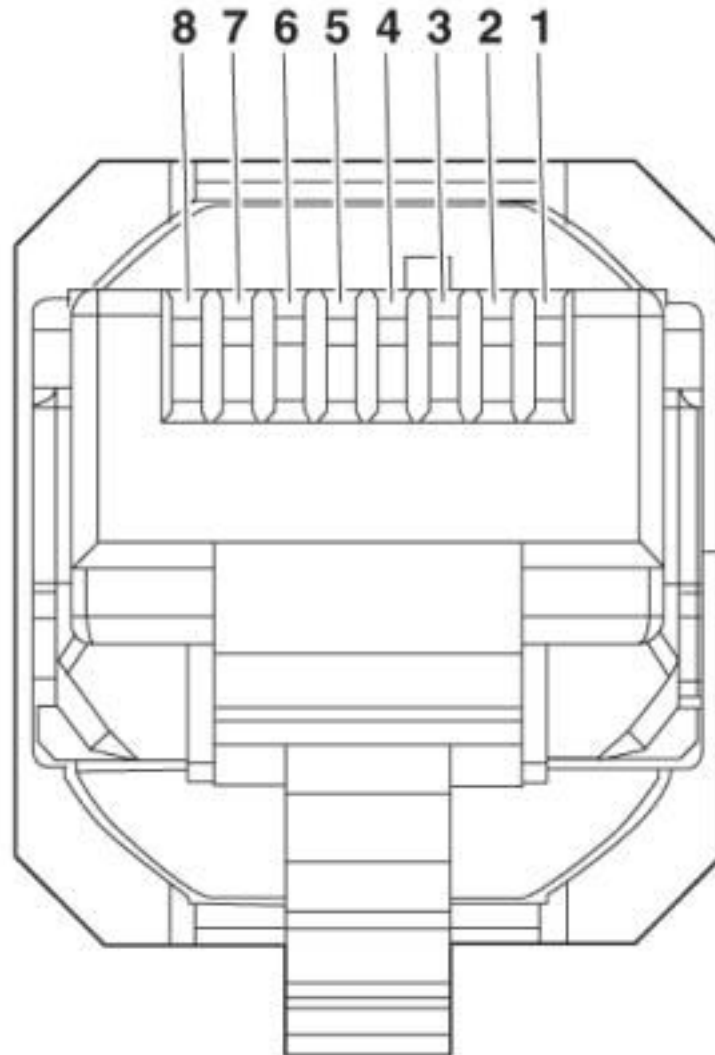
Environmental Product Compliance

China RoHS	Environmentally friendly use period: unlimited = EFUP-e
	No hazardous substances above threshold values

Drawings

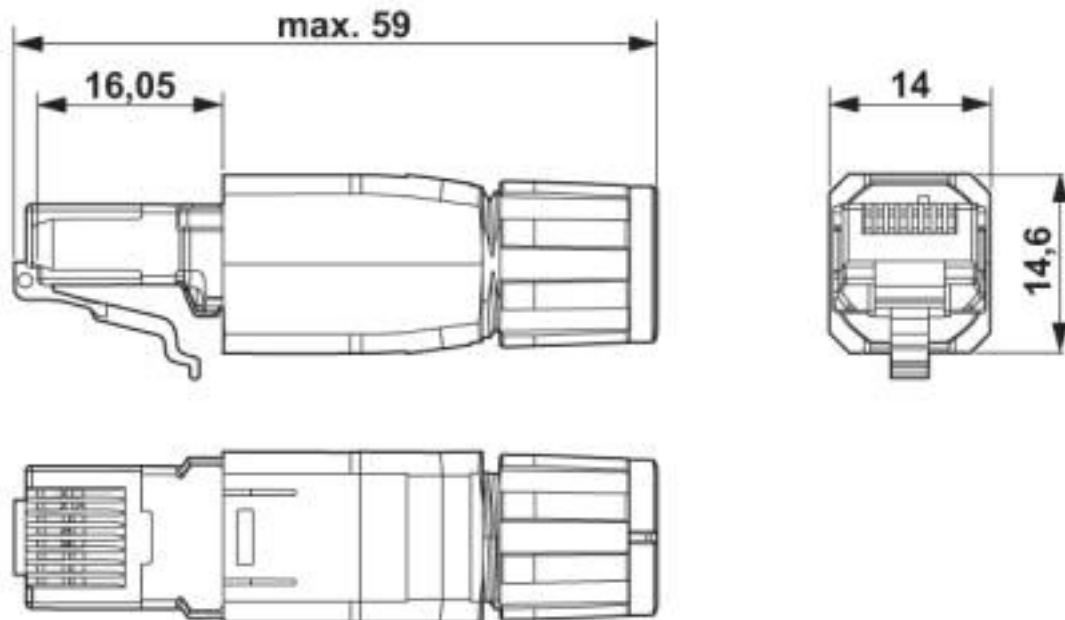
RJ45 connector - VS-PN-RJ45-5-Q/IP20 - 1658435

Schematic diagram



RJ45 connector - VS-PN-RJ45-5-Q/IP20 - 1658435

Dimensional drawing



RJ45 connector, IP20

Classifications

eCl@ss

eCl@ss 10.0.1	27440101
eCl@ss 4.0	27260700
eCl@ss 4.1	27260700
eCl@ss 5.0	27260700
eCl@ss 5.1	27260700
eCl@ss 6.0	27260700
eCl@ss 7.0	27440101
eCl@ss 8.0	27440101
eCl@ss 9.0	27440101

ETIM

ETIM 3.0	EC001121
ETIM 4.0	EC001121
ETIM 5.0	EC002636
ETIM 6.0	EC002636
ETIM 7.0	EC002636

UNSPSC

UNSPSC 6.01	31261501
UNSPSC 7.0901	31261501

RJ45 connector - VS-PN-RJ45-5-Q/IP20 - 1658435

Classifications

UNSPSC

UNSPSC 11	31261501
UNSPSC 12.01	31261501
UNSPSC 13.2	39121409
UNSPSC 18.0	39121409
UNSPSC 19.0	39121409
UNSPSC 20.0	39121409
UNSPSC 21.0	39121409

Approvals

Approvals

Approvals

UL Listed / cUL Listed / EAC / cULus Listed

Ex Approvals

Approval details

UL Listed		http://database.ul.com/cgi-bin/XYV/template/LISEXT/1FRAME/index.htm	FILE E 335024
-----------	--	---	---------------

cUL Listed		http://database.ul.com/cgi-bin/XYV/template/LISEXT/1FRAME/index.htm	FILE E 335024
------------	--	---	---------------

EAC			B.01687
-----	--	--	---------

cULus Listed			
--------------	--	--	--

Accessories

Accessories

Coding element

RJ45 connector - VS-PN-RJ45-5-Q/IP20 - 1658435

Accessories

RJ45 coding rings - VS-08-RJ45-Q-COD-SET - 1656893

Coding set, for color encoding of the RJ45 QUICKON connector, consisting of 80 color rings, 10 rings each in the colors: white, blue, red, green, yellow, violet, brown, gray



RJ45 coding rings - VS-08-RJ45-Q-COD-BU - 1658134

Coding rings, for color coding of the RJ45 QUICKON connector, consisting of 10 color rings, color: Blue



RJ45 coding rings - VS-08-RJ45-Q-COD-BN - 1658147

Coding rings, for color coding of the RJ45 QUICKON connector, consisting of 10 color rings, color: Brown



RJ45 coding rings - VS-08-RJ45-Q-COD-YE - 1658150

Coding rings, for color coding of the RJ45 QUICKON connector, consisting of 10 color rings, color: Yellow



RJ45 coding rings - VS-08-RJ45-Q-COD-GY - 1658163

Coding rings, for color coding of the RJ45 QUICKON connector, consisting of 10 color rings, color: Gray



RJ45 connector - VS-PN-RJ45-5-Q/IP20 - 1658435

Accessories

RJ45 coding rings - VS-08-RJ45-Q-COD-GN - 1658176

Coding rings, for color coding of the RJ45 QUICKON connector, consisting of 10 color rings, color: Green



RJ45 coding rings - VS-08-RJ45-Q-COD-RD - 1658189

Coding rings, for color coding of the RJ45 QUICKON connector, consisting of 10 color rings, color: Red



RJ45 coding rings - VS-08-RJ45-Q-COD-VT - 1658192

Coding rings, for color coding of the RJ45 QUICKON connector, consisting of 10 color rings, color: Violet



RJ45 coding rings - VS-08-RJ45-Q-COD-BK - 1658202

Coding rings, for color coding of the RJ45 QUICKON connector, consisting of 10 color rings, color: Black



Data cable by the meter

Network cable - VS-OE-OE-93B-100,0 - 1416389



Network cable, PROFINET CAT5 (100 Mbps), 4-position, PVC, green RAL 6018, shielded, free cable end, on free cable end, cable length: 100 m

RJ45 connector - VS-PN-RJ45-5-Q/IP20 - 1658435

Accessories

Network cable - VS-OE-OE-93B/... - 1417362



Network cable, PROFINET CAT5 (100 Mbps), 4-position, PVC, green RAL 6018, shielded, free cable end, on free cable end, cable length: Free entry (0.5 ... 400 m)

Network cable - VS-OE-OE-93C-100,0 - 1416376



Network cable, PROFINET CAT5 (100 Mbps), 4-position, PUR halogen-free, green RAL 6018, shielded, free cable end, on free cable end, cable length: 100 m, For drag chains

Network cable - VS-OE-OE-93C/... - 1417491



Network cable, PROFINET CAT5 (100 Mbps), 4-position, PUR halogen-free, green RAL 6018, shielded, free cable end, on free cable end, cable length: Free entry (0.5 ... 400 m), For drag chains

Female insert

RJ45 socket insert - CUC-F-J1ZNI-S/R4IDC8 - 1418984



RJ45 socket insert, type: RJ45, degree of protection: IP20, number of positions: 8, 10 Gbps, CAT6_A, material: Zinc die-cast, connection method: IDC connection, connection cross section: AWG 26- 22, Freenet design for use with IP67 panel mounting frame and terminal outlets

RJ45 coupling - CUC-F-D1ZNI-S/R4GC8 - 1419022



RJ45 coupling, type: RJ45, degree of protection: IP20, number of positions: 8, 1 Gbps, CAT6, material: Zinc die-cast, connection method: Female

RJ45 connector - VS-PN-RJ45-5-Q/IP20 - 1658435

Accessories

RJ45 socket insert - CUC-K-J1ZNI-S/R4IDC8 - 1419021



RJ45 socket insert, type: RJ45, degree of protection: IP20, number of positions: 8, 10 Gbps, CAT6_A, material: Zinc die-cast, connection method: IDC connection, connection cross section: AWG 26- 22, Keystone design for use with IP20 panel mounting frame or integrated directly into the housing panel

Patch panel

DIN rail adapter - CUC-PP-D1PGY/R4IDC8 - 1419024



DIN rail adapter, type: RJ45, degree of protection: IP20, number of positions: 8, 10 Gbps, CAT6_A, material: PC-GF, connection method: IDC connection, connection cross section: AWG 26- 22, color: gray

DIN rail adapter - CUC-PP-D1PGY/R4GC8 - 1418094



DIN rail adapter, type: RJ45, degree of protection: IP20, number of positions: 8, 1 Gbps, CAT6, material: PC-GF, connection method: Coupling, color: gray

Stripping tool - VS-CABLE-STRIP-VARIO - 1657407



Stripping tool, for the multi-level stripping of shielded cables

X-ON Electronics

Largest Supplier of Electrical and Electronic Components

Click to view similar products for [Modular Connectors / Ethernet Connectors](#) category:

Click to view products by [Phoenix Contact](#) manufacturer:

Other Similar products are found below :

[8949-H88/06BLKA/SN](#) [74441-0010/BKN](#) [MP1010RX-1000](#) [MP44RX-1000](#) [PHJ-4P4C-1-V-4](#) [PHP-6P6C-5](#) [GAX-3-66](#) [GAX-8-62](#) [GDCX-PA-66-50](#) [GDCX-PN-64](#) [GDCX-PN-66](#) [GDCX-PN-66-50](#) [GDLX-A-66](#) [GDLX-N-66](#) [GDLX-S-66](#) [GDLX-S-88K](#) [GDTX-S-88-50](#) [GDX-PA-1010](#) [GLX-N-1010M-BLK](#) [GLX-S-88M-BLK](#) [GMX-N-1010](#) [GMX-S-1010](#) [GMX-S-66](#) [GMX-SMT4-N-88](#) [GPX-2-64](#) [GSGX-N-2-88](#) [GSGX-N-4-88](#) [GSX-NS2-88-3.05](#) [GSX-NS2-88-3.05-50](#) [GSX-NS-88-3.05-50](#) [PT-108A-8C-UL](#) [PT-J951-8C](#) [PTS-J531-8CS-50UL](#) [1-1775629-2](#) [A-2014-0-4](#) [GWLX-S-88-GR](#) [GWLX-S9-88-YG](#) [DC-1021-8-WH-6](#) [1300530003](#) [1324640-4](#) [RJ11FTVC2G](#) [RJ11FTVC2N](#) [RJFTVX2SA1G](#) [132764-001](#) [1413235](#) [MP88X-1000](#) [MPS88RX-5000](#) [E5288-S000K3-L](#) [E5908-15A242-L](#) [155302-001](#)