

## Contact removal tool - CK2,5-EWZ - 1662722

Please be informed that the data shown in this PDF Document is generated from our Online Catalog. Please find the complete data in the user's documentation. Our General Terms of Use for Downloads are valid (<http://phoenixcontact.com/download>)



Contact removal tool, for turned CK 2,5... contacts



### Key Commercial Data

Packing unit	1 pc
GTIN	
GTIN	4017918128876

### Technical data

#### General

Note	for contact inserts HC-BB.../ HC-Q05.../ HC-COM8.../ HC-A 10-E...C / HC-A 16-E...C / HC-K 8/24-E...C / HC-M-06.../ HC-M-08.../HC-M-20...
Assembly instructions	The unlocking tool must be introduced in the connection side of the contact insert in the crimp chamber to unlock the crimp contact.

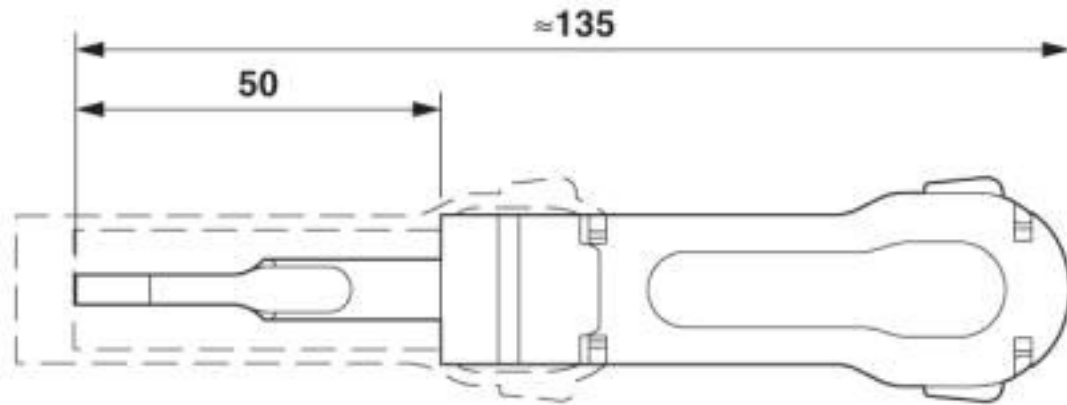
#### Environmental Product Compliance

China RoHS	Environmentally friendly use period: unlimited = EFUP-e
	No hazardous substances above threshold values
California Proposition 65	Further information on California's prop. 65 is available under "Downloads" in the manufacturer's declaration

### Drawings

# Contact removal tool - CK2,5-EWZ - 1662722

Dimensional drawing



Dimensional drawing

## Classifications

### eCl@ss

eCl@ss 4.0	27140800
eCl@ss 4.1	27140800
eCl@ss 5.0	27143400
eCl@ss 5.1	27143400
eCl@ss 6.0	27379200
eCl@ss 7.0	27379217
eCl@ss 8.0	27379217
eCl@ss 9.0	27379217

### ETIM

ETIM 2.0	EC001121
ETIM 3.0	EC002032
ETIM 4.0	EC002032
ETIM 5.0	EC002032
ETIM 6.0	EC002032
ETIM 7.0	EC002032

### UNSPSC

UNSPSC 6.01	30211817
UNSPSC 7.0901	39121416
UNSPSC 11	43172601
UNSPSC 12.01	39121522
UNSPSC 13.2	27113201
UNSPSC 19.0	27113201

## Contact removal tool - CK2,5-EWZ - 1662722

### Approvals

Approvals

---

Approvals


EAC / EAC


---

Ex Approvals

---

### Approval details

EAC		RU C- DE.AI30.B.01102
-----	---	--------------------------

EAC		EAC-Zulassung
-----	--	---------------

---

Phoenix Contact 2020 © - all rights reserved  
<http://www.phoenixcontact.com>

PHOENIX CONTACT GmbH & Co. KG  
Flachsmarktstr. 8  
32825 Blomberg  
Germany  
Tel. +49 5235 300  
Fax +49 5235 3 41200  
<http://www.phoenixcontact.com>

## X-ON Electronics

Largest Supplier of Electrical and Electronic Components

*Click to view similar products for [Extraction, Removal & Insertion Tools](#) category:*

*Click to view products by [Phoenix Contact](#) manufacturer:*

Other Similar products are found below :

[M8196914-08](#) [768211-2](#) [809-131](#) [844751-2](#) [8-59558-2](#) [91018-1](#) [12014013](#) [12093647](#) [1-21048-0](#) [R282867020](#) [12093078](#) [1-21048-6](#)  
[12121897](#) [DCF.91.405.5LT](#) [1322](#) [15314260](#) [15313892](#) [15350698](#) [15350707](#) [15430130](#) [1579018-4](#) [1643916-1](#) [1-679532-0](#) [1976593-3](#)  
[OUTEXT-0321](#) [2-1579008-3](#) [2-1579008-4](#) [229694-7](#) [231106-1](#) [241469](#) [91040-3](#) [91040-7](#) [965004-000](#) [965069-000](#) [1738219-1](#) [ET-JL05-16](#)  
[FG 0300 146 3000](#) [FIT-6](#) [210S048](#) [2-1579007-9](#) [231879-1](#) [312138-3](#) [RJ11FODE](#) [356-162](#) [M8196914-10](#) [4-1579018-0](#) [430395-001](#) [483249-](#)  
[1](#) [5-1579007-2](#) [5-1579007-9](#)