

Valve connectors - SACC-V-3CON-PG9/B-1L-S - 1671153


Please be informed that the data shown in this PDF Document is generated from our Online Catalog. Please find the complete data in the user's documentation. Our General Terms of Use for Downloads are valid (<http://phoenixcontact.com/download>)



Valve connectors, Universal, 3-position, Valve connector B (10 mm), with 1 LED, connected with Zener diode, Screw connection, cable gland Pg9, external cable diameter 6 mm ... 8 mm



Key Commercial Data

Packing unit	1 pc
GTIN	 4 017918 135003
GTIN	4017918135003
Sales Key	02

Technical data

Dimensions

External diameter	6 mm ... 8 mm
-------------------	---------------

Ambient conditions

Ambient temperature (operation)	-25 °C ... 60 °C (valve plug)
Degree of protection	IP65

General

Note	NOTE: Observe the permissible bending radii when laying conductors, since the degree of protection may be put in jeopardy if the bending forces are too high. Alleviate mechanical loads upstream of the connector, e.g. by using cable ties.
Rated current at 40°C	4 A
Rated voltage	24 V AC 24 V DC
Number of positions	3
Insulation resistance	> 2 GΩ
Standards/regulations	Valve connector EN 175301-803
Signal type/category	Universal
Status display	Yellow LED

Valve connectors - SACC-V-3CON-PG9/B-1L-S - 1671153

Technical data

General

Protective circuit/component	Z diode
Overvoltage category	II
Degree of pollution	3
Connection method	Screw connection
Conductor cross section	0.34 mm ² ... 2.5 mm ²
Conductor cross section AWG	22 ... 13
Insertion/withdrawal cycles	50 (Valve connector)

Material

Flammability rating according to UL 94	HB
Valve plug contact material	CuSn
Valve plug contact surface material	Ag
Valve plug contact insert material	PBT
Material housing valve plug	PA

Cable

Standards/specifications	Valve connector EN 175301-803
--------------------------	-------------------------------

Standards and Regulations

Standards/specifications	Valve connector EN 175301-803
Flammability rating according to UL 94	HB

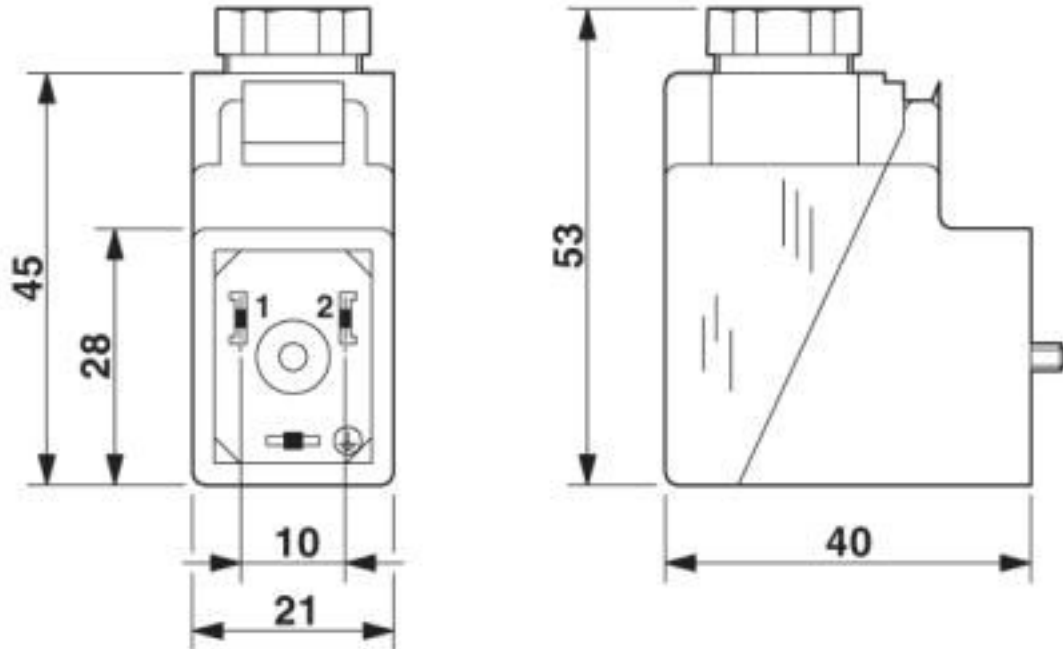
Environmental Product Compliance

REACH SVHC	Lead 7439-92-1
China RoHS	Environmentally Friendly Use Period = 25;
	For details about hazardous substances go to tab "Downloads", Category "Manufacturer's declaration"

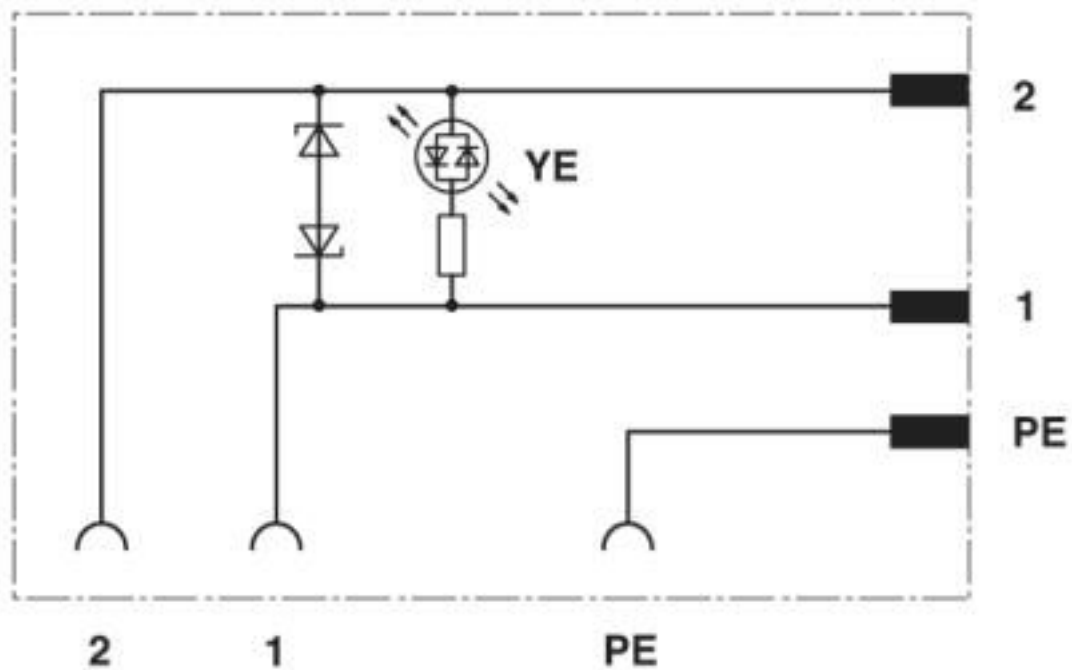
Drawings

Valve connectors - SACC-V-3CON-PG9/B-1L-S - 1671153

Dimensional drawing



Circuit diagram



Classifications

eCl@ss

eCl@ss 10.0.1	27440105
---------------	----------

Valve connectors - SACC-V-3CON-PG9/B-1L-S - 1671153

Classifications

eCl@ss

eCl@ss 4.0	27140800
eCl@ss 4.1	27140800
eCl@ss 5.0	27143400
eCl@ss 5.1	27143400
eCl@ss 6.0	27279200
eCl@ss 7.0	27440104
eCl@ss 8.0	27440104
eCl@ss 9.0	27440105

ETIM

ETIM 2.0	EC001121
ETIM 3.0	EC002062
ETIM 4.0	EC002062
ETIM 5.0	EC002062
ETIM 6.0	EC002925
ETIM 7.0	EC002925

UNSPSC

UNSPSC 6.01	31251501
UNSPSC 7.0901	31251501
UNSPSC 11	31251501
UNSPSC 12.01	31251501
UNSPSC 13.2	32151909
UNSPSC 19.0	31251501
UNSPSC 20.0	31251501
UNSPSC 21.0	31251501

Approvals

Approvals

Approvals

EAC / EAC

Ex Approvals

Approval details

Valve connectors - SACC-V-3CON-PG9/B-1L-S - 1671153

Approvals

EAC		EAC-Zulassung
-----	---	---------------

EAC		RU C- DE.BL08.B.00511
-----	---	--------------------------

Accessories

Accessories

Cable by the meter

Cable reel - SAC-3P-100,0-PUR/0,5 - 1457393



By the meter, Cable reel, PUR halogen-free, black-gray RAL 7021, 3-wire, color single wire: black 1, black 2, green/yellow, cable length: 100 m

Phoenix Contact 2020 © - all rights reserved
<http://www.phoenixcontact.com>

PHOENIX CONTACT GmbH & Co. KG
Flachsmarktstr. 8
32825 Blomberg
Germany
Tel. +49 5235 300
Fax +49 5235 3 41200
<http://www.phoenixcontact.com>

X-ON Electronics

Largest Supplier of Electrical and Electronic Components

Click to view similar products for [Circular Metric Connectors](#) category:

Click to view products by [Phoenix Contact](#) manufacturer:

Other Similar products are found below :

[600X518037X](#) [6STD15PCR99B70A](#) [8R4000A16M020](#) [8R5000A16M005](#) [1200910002](#) [1203580030](#) [1200910008](#) [1200910011](#) [1300140094](#)
[130203-0054](#) [1300140026](#) [1300150099](#) [RF-12S1N8A90DU](#) [1-3637-600-5205](#) [1612618](#) [21036836414](#) [8R4006A16M010](#) [1604232](#)
[1R3006A20M005](#) [RF-12P1N8A80DU](#) [RF-12P1N8A90DU](#) [41-40011](#) [42-00006](#) [42-01015](#) [4-22279-4](#) [4-22281-1](#) [4-22284-9](#) [43-00113](#) [43-](#)
[01088](#) [43-01203](#) [41-40013](#) [42-00008](#) [43-00343](#) [43-01026](#) [43-01162](#) [43-01173](#) [43-10000](#) [XS3P-M421-2](#) [600X518050X](#) [SACC-DSI-FS-5P-](#)
[PG9-L180 SC](#) [8R5006A16M020](#) [8R5006A16M005](#) [8R4000A16M010](#) [6-22279-3](#) [1605332](#) [N03FA03144](#) [1300140077](#) [43-16213](#) [43-01338](#)
[XS2RD4265](#)