


## Screw plug - HC-BS-PG13 - 1674503

Please be informed that the data shown in this PDF Document is generated from our Online Catalog. Please find the complete data in the user's documentation. Our General Terms of Use for Downloads are valid (<http://phoenixcontact.com/download>)

Screw plug, material: Brass, nickel-plated, connecting thread: Pg13.5, color: silver



### Key Commercial Data

|              |   |
|--------------|---|
| Packing unit | 10 pc   |
| GTIN         | <br>4 017918 135409 |
| GTIN         | 4017918135409   |

### Technical data

#### Dimensions

|                                 |                               |
|---------------------------------|-------------------------------|
| Length                          | 10 mm                         |
| Hexagon angular dimension       | 24 mm (Diameter (no corners)) |
| Length of the connecting thread | 6 mm                          |

#### Ambient conditions

|                                 |                  |
|---------------------------------|------------------|
| Degree of protection (IP)       | IP68             |
| Ambient temperature (operation) | -20 °C ... 80 °C |

#### General

|                                |                      |
|--------------------------------|----------------------|
| Material                       | Brass, nickel-plated |
| O-ring material                | NBR                  |
| Thread type on connection side | Pg13.5               |
| Color                          | silver               |

#### Standards and Regulations

|              |    |
|--------------|----|
| Halogen-free | no |
|--------------|----|

#### Environmental Product Compliance

|            |  |
|------------|--|
| REACH SVHC | Lead 7439-92-1                                 |
| China RoHS | Environmentally Friendly Use Period = 50 years |

# Screw plug - HC-BS-PG13 - 1674503

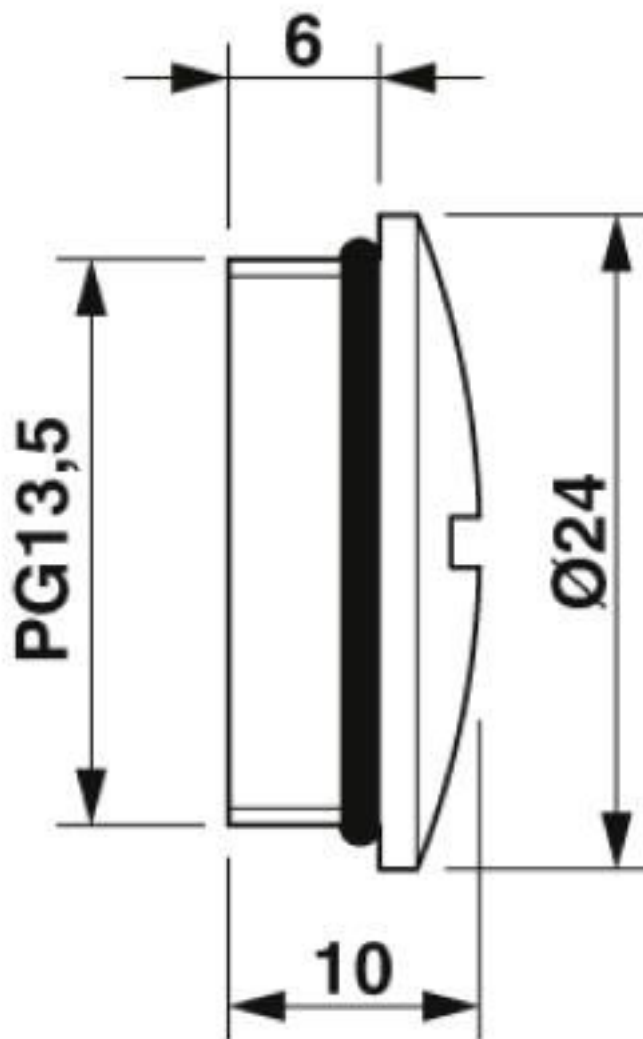
## Technical data

### Environmental Product Compliance

|  |   |
|--|---|
|  | For details about hazardous substances go to tab "Downloads", Category "Manufacturer's declaration" |
|--|---|

## Drawings

Dimensional drawing



Dimensional drawing

## Classifications

eCl@ss

|               |          |
|---------------|----------|
| eCl@ss 10.0.1 | 23111190 |
| eCl@ss 4.0    | 23111100 |

# Screw plug - HC-BS-PG13 - 1674503

## Classifications

### eCl@ss

|            |          |
|------------|----------|
| eCl@ss 4.1 | 23111100 |
| eCl@ss 5.0 | 23111100 |
| eCl@ss 5.1 | 23111100 |
| eCl@ss 6.0 | 23111100 |
| eCl@ss 7.0 | 23111190 |
| eCl@ss 8.0 | 23111190 |
| eCl@ss 9.0 | 23111190 |

### ETIM

|          |          |
|----------|----------|
| ETIM 2.0 | EC000437 |
| ETIM 3.0 | EC000437 |
| ETIM 4.0 | EC000032 |
| ETIM 5.0 | EC000723 |
| ETIM 6.0 | EC000032 |
| ETIM 7.0 | EC000032 |

### UNSPSC

|               |          |
|---------------|----------|
| UNSPSC 6.01   | 30212113 |
| UNSPSC 7.0901 | 39121712 |
| UNSPSC 11     | 39121712 |
| UNSPSC 12.01  | 39121712 |
| UNSPSC 13.2   | 31161501 |
| UNSPSC 18.0   | 31261502 |
| UNSPSC 19.0   | 31261502 |
| UNSPSC 20.0   | 31261502 |
| UNSPSC 21.0   | 31261502 |

## Approvals

### Approvals

---

Approvals

EAC

---

Ex Approvals

---

### Approval details

## Screw plug - HC-BS-PG13 - 1674503

### Approvals

EAC



RU C-  
DE.AI30.B.01102

Phoenix Contact 2020 © - all rights reserved  
<http://www.phoenixcontact.com>

PHOENIX CONTACT GmbH & Co. KG  
Flachsmarktstr. 8  
32825 Blomberg  
Germany  
Tel. +49 5235 300  
Fax +49 5235 3 41200  
<http://www.phoenixcontact.com>

## X-ON Electronics

Largest Supplier of Electrical and Electronic Components

*Click to view similar products for [Heavy Duty Power Connectors](#) category:*

*Click to view products by [Phoenix Contact](#) manufacturer:*

Other Similar products are found below :

[647757-1](#) [6643411-1](#) [6646058-2](#) [6646137-1](#) [6646138-1](#) [6646479-1](#) [6646608-1](#) [6646786-1](#) [6646940-1](#) [6651091-1](#) [6651525-1](#) [6651529-1](#)  
[6651788-1](#) [696475-1](#) [702-32-01109](#) [703-25-02205](#) [73000005059](#) [73000005642](#) [73080965046](#) [765-15-0080A](#) [765-16-0080B](#) [765-18-0080D](#)  
[829992-1](#) [902-77-02113](#) [PS00/A0620/6300](#) [129-1J](#) [1409400](#) [AN0024023](#) [E6374G1](#) [e6389g2](#) [157-43GW8](#) [MS3117-14AC](#) [1643543-1](#)  
[1650540-1](#) [1651811-2](#) [1766260-1](#) [1766282-1](#) [1766966-1](#) [1791340000](#) [NLDFT-3-BL-L-S120-M40A](#) [NLDFT-N-W-L-C240-M40B](#) [NLS-2-R-](#)  
[C240-M40B](#) [NLS-N-W-C240-M40B](#) [NPS-3-BL-T6](#) [1986615-1](#) [2-1589900-8](#) [2199314-1](#) [KA8102](#) [9300480317](#) [SBS50BRN#6](#)