

Contact insert - HC-K 4/0-ESTS - 1679414

Please be informed that the data shown in this PDF Document is generated from our Online Catalog. Please find the complete data in the user's documentation. Our General Terms of Use for Downloads are valid (<http://phoenixcontact.com/download>)



HEAVYCON plug insert, K4/0 series, 4-pos., screw connection without wire protection



Key Commercial Data

Packing unit	1 pc
GTIN	
GTIN	4017918168858

Technical data

General

Note	For HEAVYCON-ADVANCE housings of B16 type and HEAVYCON housings of B16 and B32 types
	Connectors may be operated only when there is no load/voltage.
Connection method	Screw connection (power contacts)
Tightening torque	3 Nm (4.0 mm ² ... 16 mm ²)
	2 Nm (2.5 mm ²)
	1.2 Nm (1.5 mm ²)
Torque	0.8 Nm ... 1.2 Nm (PE connection)
	0.5 Nm ... 0.8 Nm (Mounting screws for mounting in the HEAVYCON housing)
Screwdriver blade	0.8 x 4.5 mm (power contacts)
Degree of pollution	3
Overvoltage category	III
Number of positions	4+PE
No. of power contacts	4
No. of control contacts	0
Insertion/withdrawal cycles	≥ 500
Size	B16

Contact insert - HC-K 4/0-ESTS - 1679414

Technical data

General

	B32
Contact numbering	1 - 4
Conductor cross section	1.5 mm ² ... 16 mm ²
Connection cross section AWG	16 ... 6
Stripping length of the individual wire	14 mm
Assembly instructions	To ensure correct use, installation in housing with IP54 protection or better is required
Connection	Use wire end protection (screw connections do not have wire protection)

Ambient conditions

Ambient temperature (operation)	-40 °C ... 125 °C
---------------------------------	-------------------

Material data

Contact material	Cu alloy
Contact surface material	Ag
Material of contact surface, power contact	Ag
Contact carrier material	PC

Electrical characteristics

Rated voltage (III/3)	830 V (power contacts)
Rated surge voltage	8 kV (power contacts)
Rated current	80 A (power contacts)

Standards and Regulations

Connection in acc. with standard	CSA
Flammability rating according to UL 94	V0

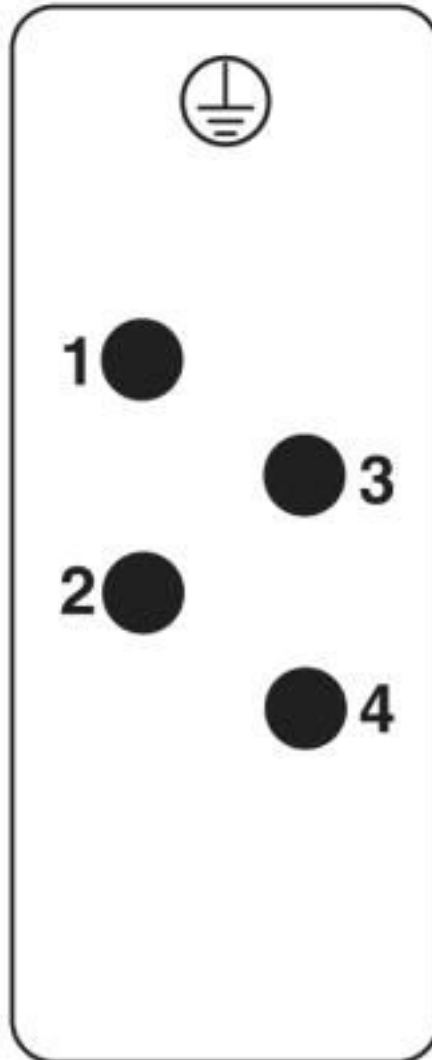
Environmental Product Compliance

China RoHS	Environmentally Friendly Use Period = 50 years
	For details about hazardous substances go to tab "Downloads", Category "Manufacturer's declaration"

Drawings

Contact insert - HC-K 4/0-ESTS - 1679414

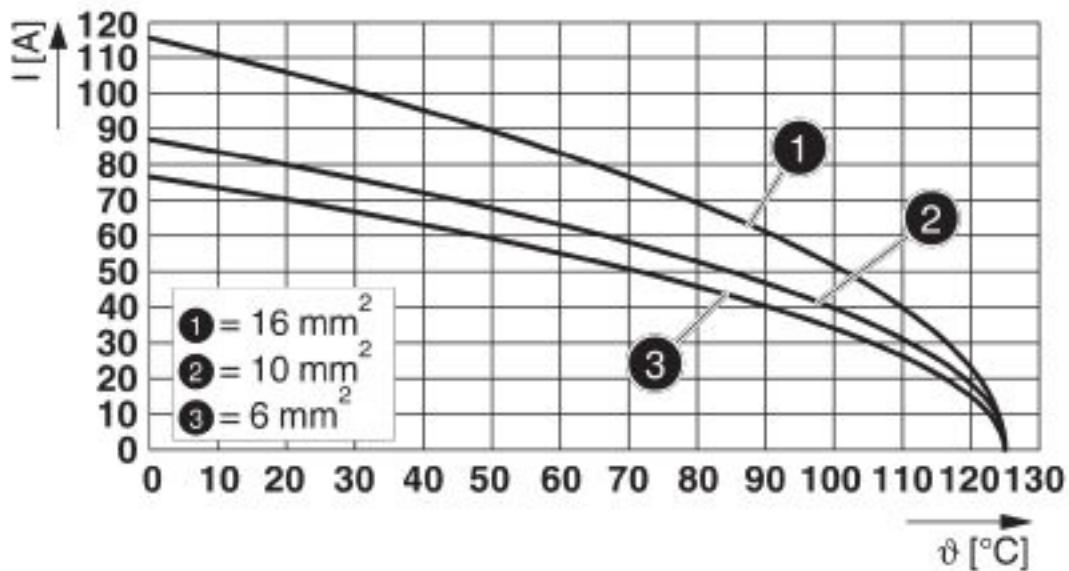
Schematic diagram



Connector pin assignment, connection side

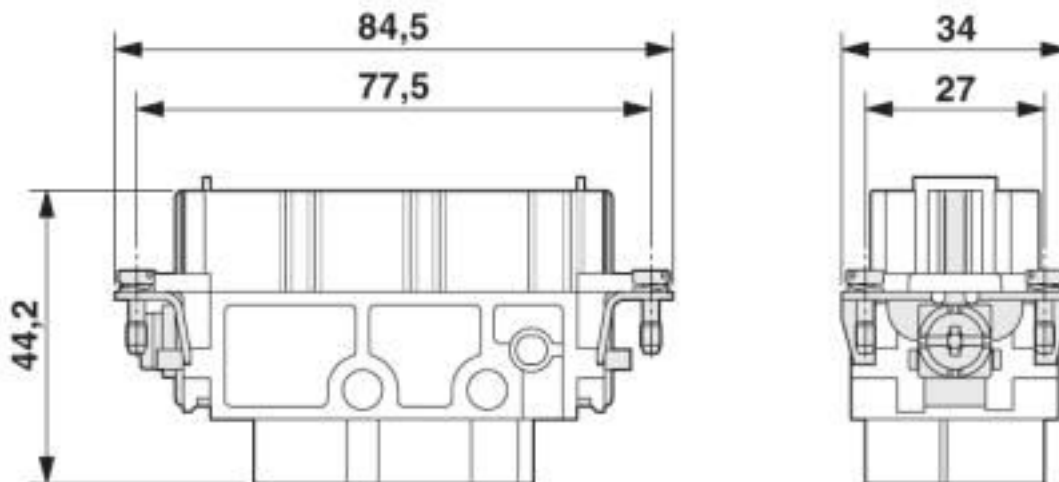
Contact insert - HC-K 4/0-ESTS - 1679414

Diagram



Derating diagram

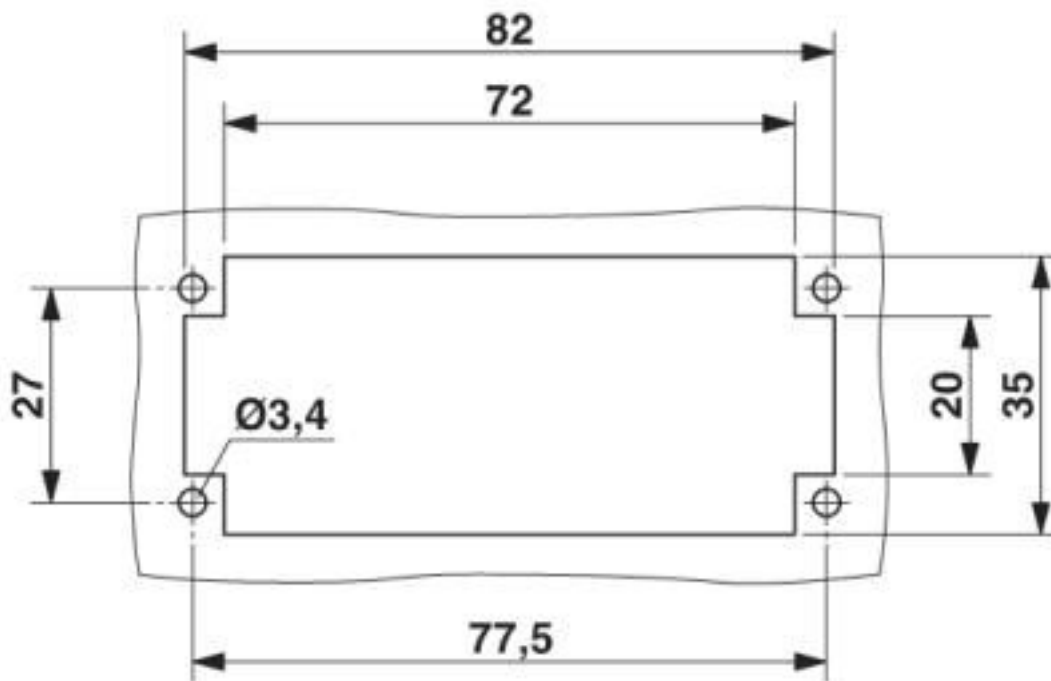
Dimensional drawing



Male insert

Contact insert - HC-K 4/0-ESTS - 1679414

Dimensional drawing



Mounting cutout when used without housing

Classifications

eCl@ss

eCl@ss 10.0.1	27440205
eCl@ss 4.0	27140800
eCl@ss 4.1	27140800
eCl@ss 5.0	27143400
eCl@ss 5.1	27261200
eCl@ss 6.0	27261200
eCl@ss 7.0	27440205
eCl@ss 8.0	27440205
eCl@ss 9.0	27440205

ETIM

ETIM 2.0	EC000438
ETIM 3.0	EC000438
ETIM 4.0	EC000438
ETIM 5.0	EC000438
ETIM 6.0	EC000438
ETIM 7.0	EC000438

Contact insert - HC-K 4/0-ESTS - 1679414

Classifications

UNSPSC

UNSPSC 6.01	30211923
UNSPSC 7.0901	39121522
UNSPSC 11	39121522
UNSPSC 12.01	39121522
UNSPSC 13.2	39121522
UNSPSC 18.0	39121522
UNSPSC 19.0	39121522
UNSPSC 20.0	39121522
UNSPSC 21.0	39121522

Approvals


Approvals

Approvals


EAC / EAC / UL Recognized

Ex Approvals

Approval details

EAC		RU C- DE.AI30.B.01102
-----	---	--------------------------

EAC		RU C- DE.BL08.B.00511
-----	---	--------------------------

UL Recognized		http://database.ul.com/cgi-bin/XYV/template/LISEXT/1FRAME/index.htm	E118976
---------------	---	---	---------

Nominal voltage UN	600 V
Nominal current IN	80 A
mm²/AWG/kcmil	6

Accessories

Accessories

Contact insert - HC-K 4/0-ESTS - 1679414

Accessories

Screwdriver tools

Screwdriver - SZF 2-0,8X4,0 - 1204520



Actuation tool, for ST terminal blocks, also suitable for use as a bladed screwdriver, size: 0.8 x 4.0 x 100 mm, 2-component grip, with non-slip grip

Additional products

Contact insert - HC-K 4/0-EBUS - 1679427



HEAVYCON socket insert, K4/0 series, 4-pos., screw connection without wire protection

Phoenix Contact 2020 © - all rights reserved
<http://www.phoenixcontact.com>

PHOENIX CONTACT GmbH & Co. KG
Flachsmarktstr. 8
32825 Blomberg
Germany
Tel. +49 5235 300
Fax +49 5235 3 41200
<http://www.phoenixcontact.com>

X-ON Electronics

Largest Supplier of Electrical and Electronic Components

Click to view similar products for [Heavy Duty Power Connectors](#) category:

Click to view products by [Phoenix Contact](#) manufacturer:

Other Similar products are found below :

[647757-1](#) [6643411-1](#) [6646058-2](#) [6646137-1](#) [6646138-1](#) [6646479-1](#) [6646608-1](#) [6646786-1](#) [6646940-1](#) [6651091-1](#) [6651525-1](#) [6651529-1](#)
[6651788-1](#) [696475-1](#) [702-32-01109](#) [703-25-02205](#) [73000005059](#) [73000005642](#) [765-15-0080A](#) [765-16-0080B](#) [765-18-0080D](#) [829992-1](#)
[902-77-02113](#) [PS00/A0620/6300](#) [129-1J](#) [1409400](#) [AN0024023](#) [E6374G1](#) [e6389g2](#) [157-43GW8](#) [MS3117-14AC](#) [1643543-1](#) [1650540-1](#)
[1651811-2](#) [1766260-1](#) [1766282-1](#) [1766966-1](#) [1791340000](#) [NLDFT-3-BL-L-S120-M40A](#) [NLDFT-N-W-L-C240-M40B](#) [NLS-2-R-C240-](#)
[M40B](#) [NLS-N-W-C240-M40B](#) [NPS-3-BL-T6](#) [1986615-1](#) [2-1589900-8](#) [2199314-1](#) [KA8102](#) [9300480317](#) [SBS50BRN#6](#) [29131](#)