

Contact insert - HC-BB 18-EBUC - 1687451

Please be informed that the data shown in this PDF Document is generated from our Online Catalog. Please find the complete data in the user's documentation. Our General Terms of Use for Downloads are valid (<http://phoenixcontact.com/download>)

HEAVYCON female insert, BB18 series, 18-pos., crimp connection



Key Commercial Data

| | |
|--------------|---------------|
| Packing unit | 1 pc |
| GTIN | |
| GTIN | 4017918609436 |

Technical data

General

| | |
|---|--|
| Note | For HC-B10 housing, crimp contacts CK 2,5-ED (crimp contacts not included in scope of supply) |
| Connection method | Crimp connection |
| Degree of pollution | 3 |
| Overvoltage category | III |
| Number of positions | 18+PE |
| Insertion/withdrawal cycles | ≥ 500 |
| Size | B10 |
| Contact numbering | 1 - 18 |
| Conductor cross section | 0.5 mm ² ... 4 mm ² |
| Connection cross section AWG | 20 ... 12 |
| Stripping length of the individual wire | 7.5 mm |
| Assembly instructions | - Housing heights of h ≥ 72 mm are recommended when there is a high number of wires. |
| Connection | Connectors may only be inserted when there is no load/the power is switched off. Crimp contacts removed using the removal tool (1662722) |

Ambient conditions

| | |
|---------------------------------|--|
| Ambient temperature (operation) | -40 °C ... 125 °C (including heating up of contacts) |
|---------------------------------|--|

Contact insert - HC-BB 18-EBUC - 1687451

Technical data

Material data

| | |
|--------------------------|-----------------------|
| Contact material | Copper alloy |
| Contact surface material | Ag (alternatively Au) |
| Contact carrier material | PC |

Electrical characteristics

| | |
|-----------------------|-------|
| Rated voltage (III/3) | 500 V |
| Rated surge voltage | 6 kV |
| Rated current | 16 A |

Standards and Regulations

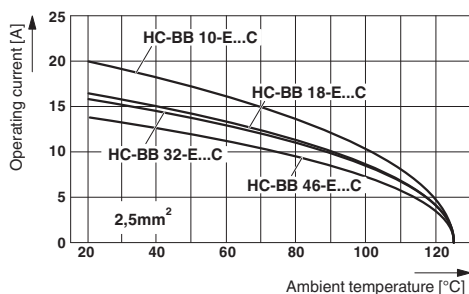
| | |
|--|-----|
| Connection in acc. with standard | CSA |
| Flammability rating according to UL 94 | V0 |

Environmental Product Compliance

| | |
|------------|---|
| China RoHS | Environmentally friendly use period: unlimited = EFUP-e |
| | No hazardous substances above threshold values |

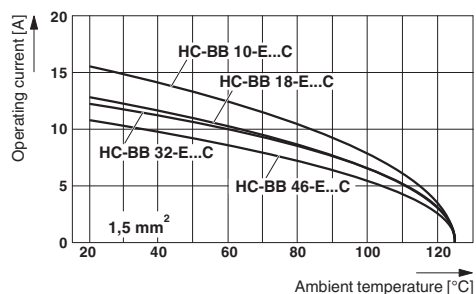
Drawings

Diagram



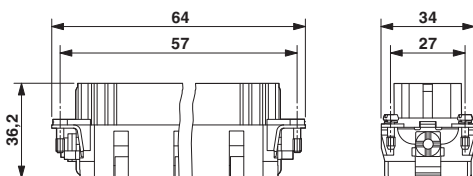
Derating diagram: Conductor cross section 2.5 mm²

Diagram



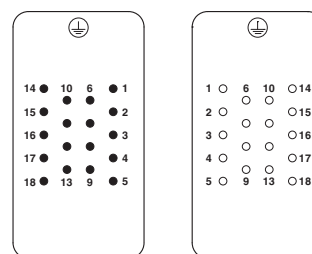
Derating diagram: Conductor cross section 1.5 mm²

Dimensional drawing



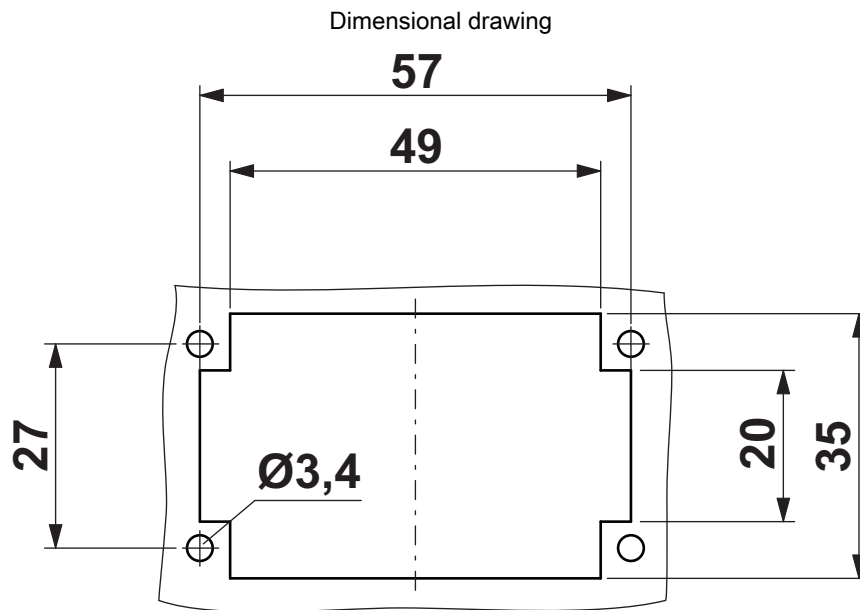
Female insert

Schematic diagram



Connector pin assignment: Left pin - right socket

Contact insert - HC-BB 18-EBUC - 1687451



Mounting cutout

Phoenix Contact 2018 © - all rights reserved
<http://www.phoenixcontact.com>

PHOENIX CONTACT GmbH & Co. KG
Flachmarktstr. 8
32825 Blomberg
Germany
Tel. +49 5235 300
Fax +49 5235 3 41200
<http://www.phoenixcontact.com>

X-ON Electronics

Largest Supplier of Electrical and Electronic Components

Click to view similar products for [Heavy Duty Power Connectors](#) category:

Click to view products by [Phoenix Contact](#) manufacturer:

Other Similar products are found below :

[1424439](#) [1424438](#) [09330062652](#) [605601-1](#) [6340G1](#) [6341G1](#) [6360G1](#) [6373G1](#) [6374g2](#) [6396G1](#) [647757-1](#) [6643411-1](#) [6646058-2](#) [6646137-1](#)
[6646138-1](#) [6646348-1](#) [6646479-1](#) [6646608-1](#) [6646786-1](#) [6646940-1](#) [6651525-1](#) [6651529-1](#) [6651778-1](#) [6651788-1](#) [696465-1](#) [696475-1](#)
[73000005059](#) [73000005349](#) [73000005642](#) [73080965046](#) [765-15-0080A](#) [765-16-0080B](#) [789.700-44](#) [789.700-54](#) [80-1010](#) [80-9](#) [827381-1](#)
[829992-1](#) [902-77-02113](#) [PL00U-301-10D10](#) [PM103MOOLOO](#) [PM212MOOLOO](#) [PM309FOOLOO](#) [PM324FOOLCH](#) [PMHPAF11S03](#)
[PMHPAF14S01](#) [PMHPAM14P05](#) [PMHPAS06](#) [PMHPBF14S01](#) [PP45PC12S](#)