

# DIN rail mounting frame - HC-SMR-B24 - 1687985


Please be informed that the data shown in this PDF Document is generated from our Online Catalog. Please find the complete data in the user's documentation. Our General Terms of Use for Downloads are valid (<http://phoenixcontact.com/download>)



HEAVYCON DIN rail mounting frame, for contact inserts of type B24



## Key Commercial Data

Packing unit	1 pc
GTIN	 4 017918 892609
GTIN	4017918892609

## Technical data

### Dimensions

Length	181 mm
Height	131.5 mm
Hole diameter	4.5 mm
Width	55 mm
Drill hole distance, horizontal	70 mm
Drill hole distance, vertical	44 mm

### General

Note	For contact inserts B24, BB48, DD108 and HV10; swiveling frame
Material	PA
Flammability rating according to UL 94	HB
Type	B24

### Standards and Regulations

Flammability rating according to UL 94	HB
--	----

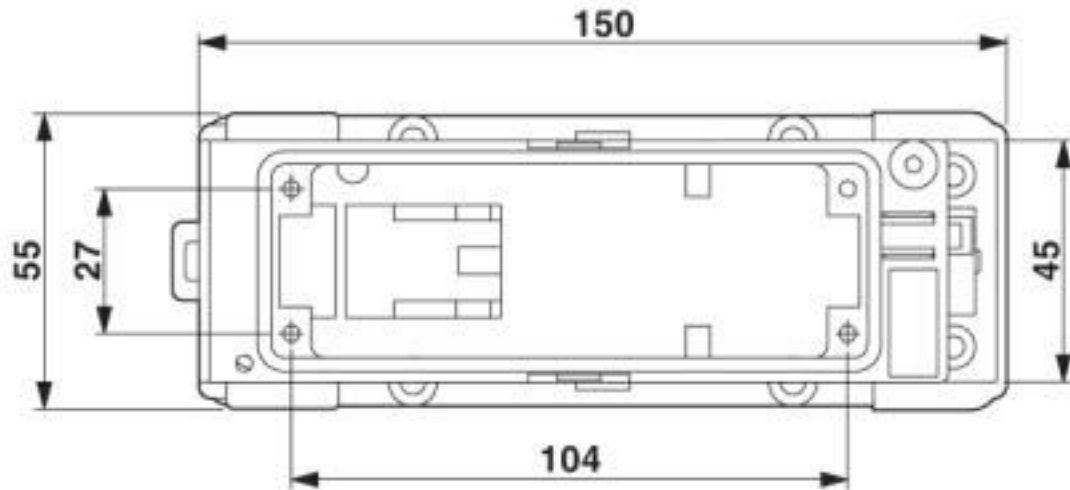
### Environmental Product Compliance

China RoHS	Environmentally friendly use period: unlimited = EFUP-e
	No hazardous substances above threshold values

# DIN rail mounting frame - HC-SMR-B24 - 1687985

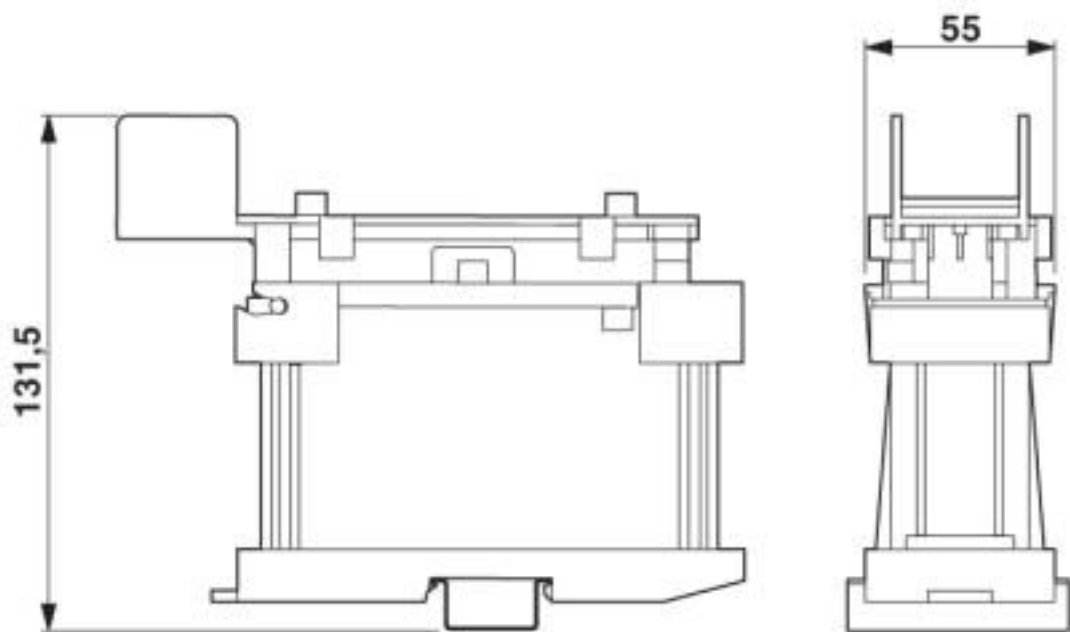
## Drawings

Dimensional drawing



Dimensional drawing

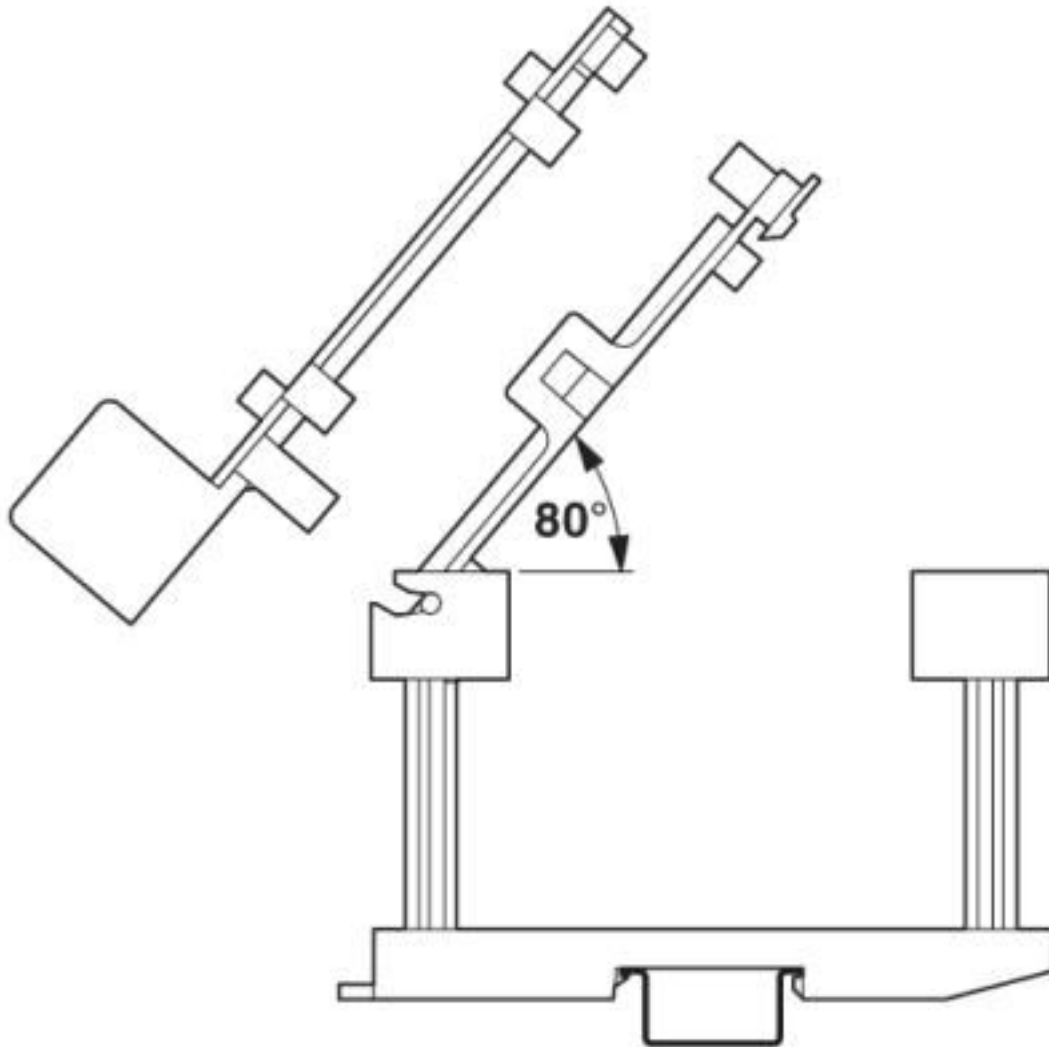
Dimensional drawing



Dimensional drawing

# DIN rail mounting frame - HC-SMR-B24 - 1687985

Schematic diagram



## Classifications

eCl@ss

eCl@ss 4.0	27140816
eCl@ss 4.1	27140816
eCl@ss 5.0	27143424
eCl@ss 5.1	27143400
eCl@ss 6.0	27261200
eCl@ss 7.0	27440206
eCl@ss 8.0	27440206
eCl@ss 9.0	27440206

ETIM

ETIM 3.0	EC002310
----------	----------

# DIN rail mounting frame - HC-SMR-B24 - 1687985

## Classifications

### ETIM

ETIM 4.0	EC002310
ETIM 5.0	EC002312
ETIM 6.0	EC002312

### UNSPSC

UNSPSC 6.01	31251501
UNSPSC 7.0901	31251501
UNSPSC 11	31251501
UNSPSC 12.01	31251501
UNSPSC 13.2	31261501
UNSPSC 19.0	31261501

## Accessories

### Accessories

#### Device marking

Contactor marker - zack marker strip - SS-ZB WH - 5031171



Contactor marker - zack marker strip, Strip, white, unlabeled, can be labeled with: CMS-P1-PLOTTER, mounting type: snap into flat marker groove, lettering field size: 20 mm x 8 mm, Number of individual labels: 5

---

Phoenix Contact 2020 © - all rights reserved  
<http://www.phoenixcontact.com>

PHOENIX CONTACT GmbH & Co. KG  
Flachsmarktstr. 8  
32825 Blomberg  
Germany  
Tel. +49 5235 300  
Fax +49 5235 3 41200  
<http://www.phoenixcontact.com>

## X-ON Electronics

Largest Supplier of Electrical and Electronic Components

*Click to view similar products for [Heavy Duty Power Connectors](#) category:*

*Click to view products by [Phoenix Contact](#) manufacturer:*

Other Similar products are found below :

[647757-1](#) [6643411-1](#) [6646058-2](#) [6646137-1](#) [6646138-1](#) [6646479-1](#) [6646608-1](#) [6646786-1](#) [6646940-1](#) [6651091-1](#) [6651525-1](#) [6651529-1](#)  
[6651788-1](#) [696475-1](#) [702-32-01109](#) [703-25-02205](#) [73000005059](#) [73000005642](#) [73080965046](#) [765-15-0080A](#) [765-16-0080B](#) [765-18-0080D](#)  
[829992-1](#) [902-77-02113](#) [PS00/A0620/6300](#) [129-1J](#) [1409400](#) [AN0024023](#) [E6374G1](#) [e6389g2](#) [157-43GW8](#) [MS3117-14AC](#) [1643543-1](#)  
[1650540-1](#) [1651811-2](#) [1766260-1](#) [1766282-1](#) [1766966-1](#) [1791340000](#) [NLDFT-3-BL-L-S120-M40A](#) [NLDFT-N-W-L-C240-M40B](#) [NLS-2-R-](#)  
[C240-M40B](#) [NLS-N-W-C240-M40B](#) [NPS-3-BL-T6](#) [1986615-1](#) [2-1589900-8](#) [2199314-1](#) [KA8102](#) [9300480317](#) [SBS50BRN#6](#)