

D-SUB power contact - VS-ST-LK-3,6/22,4/2,6 - 1688243


Please be informed that the data shown in this PDF Document is generated from our Online Catalog. Please find the complete data in the user's documentation. Our General Terms of Use for Downloads are valid (<http://phoenixcontact.com/download>)



Power contacts, for D-SUB combination inserts, pin, solder cup, straight, rated current 20 A, gold-plated



Key Commercial Data

Packing unit	100 pc
GTIN	 4 017918 179649
GTIN	4017918179649

Technical data

Mechanical characteristics

Connection method	Solder cup
AWG solid min.	14
AWG solid max.	12
Conductor cross section	2 mm ² ... 3.5 mm ²
Weight	2.05 g

Ambient conditions

Ambient temperature (operation)	-55 °C ... 130 °C
---------------------------------	-------------------

Material data

Contact surface material	Au/Sn
Contact material	Copper alloy
Length	22.9 mm

Electrical characteristics

Rated current	20 A (at 20 °C)
Test voltage	1000 V
Insulation resistance	≥ 5 GΩ

Environmental Product Compliance

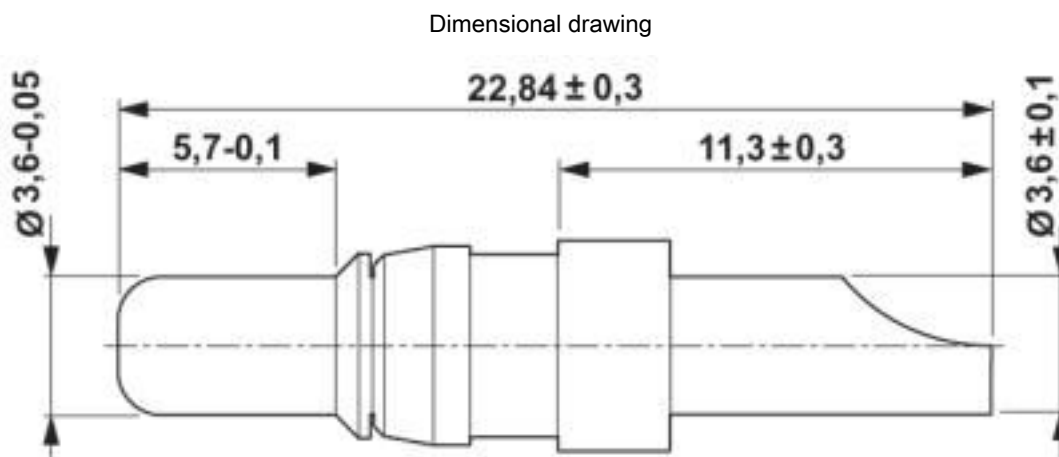
D-SUB power contact - VS-ST-LK-3,6/22,4/2,6 - 1688243

Technical data

Environmental Product Compliance

REACH SVHC	Lead 7439-92-1
China RoHS	Environmentally Friendly Use Period = 50 years
	For details about hazardous substances go to tab "Downloads", Category "Manufacturer's declaration"

Drawings



D-SUB power contact pin

Classifications

eCl@ss

eCl@ss 10.0.1	27440204
eCl@ss 4.0	27260700
eCl@ss 4.1	27260700
eCl@ss 5.0	27260700
eCl@ss 5.1	27261200
eCl@ss 6.0	27261200
eCl@ss 7.0	27440204
eCl@ss 8.0	27440204
eCl@ss 9.0	27440204

ETIM

ETIM 2.0	EC000438
ETIM 3.0	EC000438
ETIM 4.0	EC000796
ETIM 5.0	EC000796
ETIM 6.0	EC000796
ETIM 7.0	EC000796

D-SUB power contact - VS-ST-LK-3,6/22,4/2,6 - 1688243

Classifications

UNSPSC

UNSPSC 6.01	30211923
UNSPSC 7.0901	39121522
UNSPSC 11	39121522
UNSPSC 12.01	39121522
UNSPSC 13.2	39121522
UNSPSC 18.0	39121522
UNSPSC 19.0	39121522
UNSPSC 20.0	39121522
UNSPSC 21.0	39121522

Approvals

Approvals

Approvals

EAC

Ex Approvals

Approval details

EAC		B.01687
-----	--	---------

Accessories

Accessories

Assembly tool

Contact removal tool - HC-M4-KOAX-EWZ - 1676747



Contact removal tool for coaxial contacts

Phoenix Contact 2020 © - all rights reserved
<http://www.phoenixcontact.com>

PHOENIX CONTACT GmbH & Co. KG
Flachsmarktstr. 8
32825 Blomberg
Germany
Tel. +49 5235 300
Fax +49 5235 3 41200
<http://www.phoenixcontact.com>

X-ON Electronics

Largest Supplier of Electrical and Electronic Components

Click to view similar products for [D-Sub Contacts](#) category:

Click to view products by [Phoenix Contact](#) manufacturer:

Other Similar products are found below :

[D02-22-26S-10000](#) [8656352067LF](#) [131A15029X](#) [132A11019X](#) [132J22039X](#) [132A11029X](#) [132A11049X](#) [132A12059X](#) [1757912-1](#) [188582-000](#) [162A11889X](#) [1757913-1](#) [212558-1](#) [030-1955-000](#) [053744-0098](#) [053744-0099](#) [053745-0105](#) [053745-0111](#) [601098N003](#) [D-610-10CS2962](#) [86303057NLF](#) [131A11019X](#) [162A11819X](#) [40-9854MP](#) [1-208778-5](#) [FC120N2](#) [MC7526D/AA](#) [MC8122D/AA](#) [FC4010D-15](#) [FC4006D](#) [121A05329A](#) [164C16669X](#) [86566620064LF](#) [131A13019X](#) [DLS3XS5AK40X](#) [09692825723](#) [030-1954-000](#) [L17DM53744207](#) [L17RRD1M11400](#) [030-1952-000](#) [1655496](#) [030-1953-000](#) [030-1953-030](#) [132C11039X](#) [132J15019X](#) [132C15019X](#) [132A10039X](#) [131A10029X](#) [8638PSC2006LF](#) [8656453067LF](#)