

RJ45 male insert - VS-08-ST-RJ45 - 1688573


Please be informed that the data shown in this PDF Document is generated from our Online Catalog. Please find the complete data in the user's documentation. Our General Terms of Use for Downloads are valid (<http://phoenixcontact.com/download>)



RJ45 pin insert, CAT5e, 8-pos., shielded, IDC connection method, for litz wires AWG 26 and solid wires AWG 26 ... 24



Key Commercial Data

Packing unit	5 pc
GTIN	 4 017918 622404
GTIN	4017918622404

Technical data

Mechanical characteristics

Connection method	IDC
Number of slots	1
Overvoltage category	II
AWG solid min.	26
AWG solid max.	24
AWG multi-stranded min.	26
Degree of pollution	2
Cable outlet	straight
No. of cable outlets	1
Conductor cross section	0.13 mm ² ... 0.2 mm ² (solid)
	0.14 mm ² (flexible)
Weight	2.84 g
Flammability rating according to UL 94	V0

Ambient conditions

Ambient temperature (operation)	-40 °C ... 85 °C
---------------------------------	------------------

Material data

Contact surface material	Au/Ni
--------------------------	-------

RJ45 male insert - VS-08-ST-RJ45 - 1688573

Technical data

Material data

Contact material	Copper alloy
Contact carrier material	Thermoplastic
Width	11.6 mm
Height	12.1 mm
Length	24.1 mm

Electrical characteristics

Number of positions	8
Transmission characteristics (category)	CAT5 (IEC 11801:2002)
GRP transmission properties	CAT5 (IEC 11801:2002)
Rated current	1.5 A
Overvoltage category	II
Degree of pollution	2
Rated voltage (III/3)	72 V (DC)

Standards and Regulations

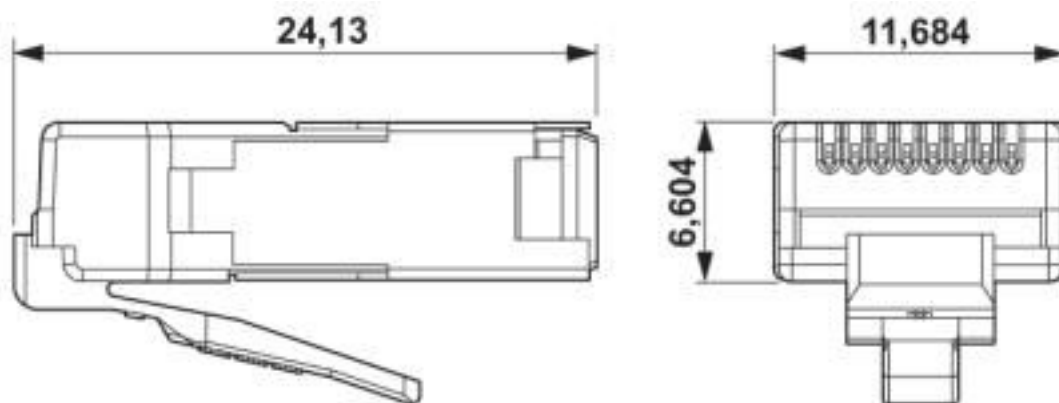
Flammability rating according to UL 94	V0
--	----

Environmental Product Compliance

China RoHS	Environmentally friendly use period: unlimited = EFUP-e
	No hazardous substances above threshold values

Drawings

Dimensional drawing



RJ45 male insert

Classifications

eCl@ss

eCl@ss 10.0.1	27440205
---------------	----------

RJ45 male insert - VS-08-ST-RJ45 - 1688573

Classifications

eCl@ss

eCl@ss 4.0	27260700
eCl@ss 4.1	27260700
eCl@ss 5.0	27260700
eCl@ss 5.1	27261200
eCl@ss 6.0	27261200
eCl@ss 7.0	27440205
eCl@ss 8.0	27440205
eCl@ss 9.0	27440205

ETIM

ETIM 2.0	EC000438
ETIM 3.0	EC000438
ETIM 4.0	EC000438
ETIM 5.0	EC000438
ETIM 6.0	EC000438
ETIM 7.0	EC000438

UNSPSC

UNSPSC 6.01	30211923
UNSPSC 7.0901	39121522
UNSPSC 11	39121522
UNSPSC 12.01	39121522
UNSPSC 13.2	39121522
UNSPSC 18.0	39121522
UNSPSC 19.0	39121522
UNSPSC 20.0	39121522
UNSPSC 21.0	39121522

Approvals

Approvals

Approvals

EAC

Ex Approvals

Approval details

RJ45 male insert - VS-08-ST-RJ45 - 1688573

Approvals

EAC		B.01687
-----	--	---------

Accessories

Accessories

Bend protection sleeve

RJ45 bending protection sleeve - VS-08-KS/GR - 1689213



RJ45 bend protection sleeve, for pin insert VS-08-ST-RJ45, cable cross section up to 6 mm, color: gray

RJ45 bending protection sleeve - VS-08-KS/GN - 1689226



RJ45 bend protection sleeve, for pin insert VS-08-ST-RJ45, cable cross section up to 6 mm, color: green

Crimping tool

Crimping pliers - CRIMPFOX LC - 1206696



Basic crimping pliers, with short handles, without crimp inserts, with locator takeover

Die

Replacement die - CRIMPFOX LC-RJ 45S - 1207420



Die for the CRIMPFOX LC basic crimping pliers to crimp the VARIOSUB RJ45 male insert VS-08-ST-RJ45

Sleeve housings

RJ45 male insert - VS-08-ST-RJ45 - 1688573

Accessories

RJ45 sleeve housings - VS-08-T-RJ45/IP 20 - 1688638



RJ45 sleeve housing IP20, for pin insert VS-08-ST-RJ45, with push-pull interlocking for panel mounting frames, for cable cross section 5.0 mm ... 6.5 mm

RJ45 sleeve housings - VS-08-T-G-RJ45/IP20 - 1652295



RJ45 sleeve housing, IP20, for pin insert VS-08-ST-RJ45, with push-pull interlocking for panel mounting frames, inverted design, for Factoryline modular managed switches, for cable cross section 5.0 mm ... 6.5 mm

RJ45 sleeve housings - VS-08-T-RJ45/IP67 - 1688696



RJ45 sleeve housing, IP67, for pin insert VS-08-ST-RJ45, with push-pull interlocking for panel mounting frames, for cable cross section 5.0 mm ... 6.5 mm

Phoenix Contact 2020 © - all rights reserved
<http://www.phoenixcontact.com>

PHOENIX CONTACT GmbH & Co. KG
Flachsmarktstr. 8
32825 Blomberg
Germany
Tel. +49 5235 300
Fax +49 5235 3 41200
<http://www.phoenixcontact.com>

X-ON Electronics

Largest Supplier of Electrical and Electronic Components

Click to view similar products for [Modular Connectors / Ethernet Connectors](#) category:

Click to view products by [Phoenix Contact](#) manufacturer:

Other Similar products are found below :

[8949-H88/06BLKA/SN](#) [74441-0010/BKN](#) [MP1010RX-1000](#) [MP44RX-1000](#) [PHP-6P6C-5](#) [GAX-3-66](#) [GAX-8-62](#) [GDCX-PA-66-50](#) [GDCX-PN-64](#) [GDCX-PN-66](#) [GDCX-PN-66-50](#) [GDLX-A-66](#) [GDLX-N-66](#) [GDLX-S-66](#) [GDLX-S-88K](#) [GDTX-S-88-50](#) [GDX-PA-1010](#) [GLX-N-1010M-BLK](#) [GLX-S-88M-BLK](#) [GMX-N-1010](#) [GMX-S-1010](#) [GMX-S-66](#) [GMX-SMT4-N-88](#) [GPX-2-64](#) [GSGX-N-2-88](#) [GSGX-N-4-88](#) [GSX-NS2-88-3.05](#) [GSX-NS2-88-3.05-50](#) [GSX-NS-88-3.05-50](#) [PT-108A-8C-UL](#) [PT-J951-8C](#) [PTS-J531-8CS-50UL](#) [1-1775629-2](#) [A-2014-0-4](#) [GWLX-S-88-GR](#) [GWLX-S9-88-YG](#) [DC-1021-8-WH-6](#) [1300530003](#) [1324640-4](#) [RJ11FTVC2G](#) [RJ11FTVC2N](#) [RJFTVX2SA1G](#) [132764-001](#) [1413235](#) [MP88X-1000](#) [MPS88RX-5000](#) [E5288-S000K3-L](#) [E5908-15A242-L](#) [155302-001](#) [AX100653](#)