

RJ45 coupling - VS-08-BU-RJ45/BU - 1689064

Please be informed that the data shown in this PDF Document is generated from our Online Catalog. Please find the complete data in the user's documentation. Our General Terms of Use for Downloads are valid (<http://phoenixcontact.com/download>)



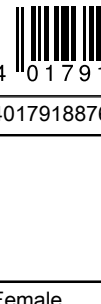
RJ45 coupling, degree of protection: IP20, number of positions: 8, 1 Gbps, CAT5 (IEC 11801:2002), material: Fiberglass, PBT, connection method: Female, Keystone

Your advantages

- Keystone adapter
- Integration into RJ45 panel mounting frame with IP65/IP67 protection supported
- Transmission speed of up to 1000 Mbps



Key Commercial Data

Packing unit	5 pc
GTIN	 4 017918 876937
GTIN	4017918876937

Technical data

Mechanical characteristics

Connection method	Female
Number of slots	1
Overvoltage category	II
Degree of pollution	2
Weight	9 g
Flammability rating according to UL 94	V0

Ambient conditions

Ambient temperature (operation)	-20 °C ... 70 °C
Ambient temperature (storage/transport)	-40 °C ... 85 °C

Material data

Contact surface material	Gold over nickel
Contact material	Copper alloy

RJ45 coupling - VS-08-BU-RJ45/BU - 1689064

Technical data

Material data

Contact carrier material	ABS
Housing material	Fiberglass, PBT
Housing surface material	metal-plated
Width	22.1 mm
Length	34.5 mm

Electrical characteristics

Number of positions	8
Transmission characteristics (category)	CAT5 (IEC 11801:2002)
GRP transmission properties	CAT5 (IEC 11801:2002) CAT5 (IEC 11801:2002)
Transmission speed	1 Gbps
Rated current	1.5 A
Overvoltage category	II
Degree of pollution	2
Contact resistance	20 mΩ
Rated voltage (III/3)	72 V (DC)
Insulation resistance	500 MΩ

Standards and Regulations

Flammability rating according to UL 94	V0
--	----

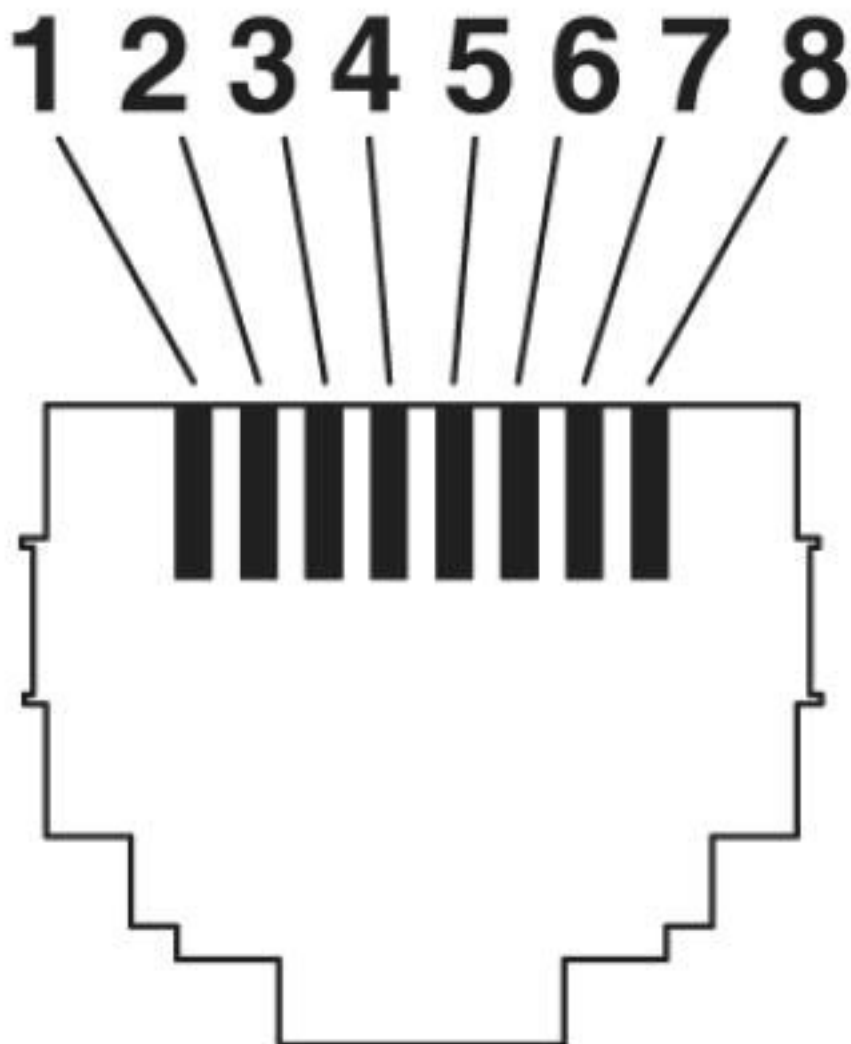
Environmental Product Compliance

China RoHS	Environmentally Friendly Use Period = 50 years
	For details about hazardous substances go to tab "Downloads", Category "Manufacturer's declaration"

Drawings

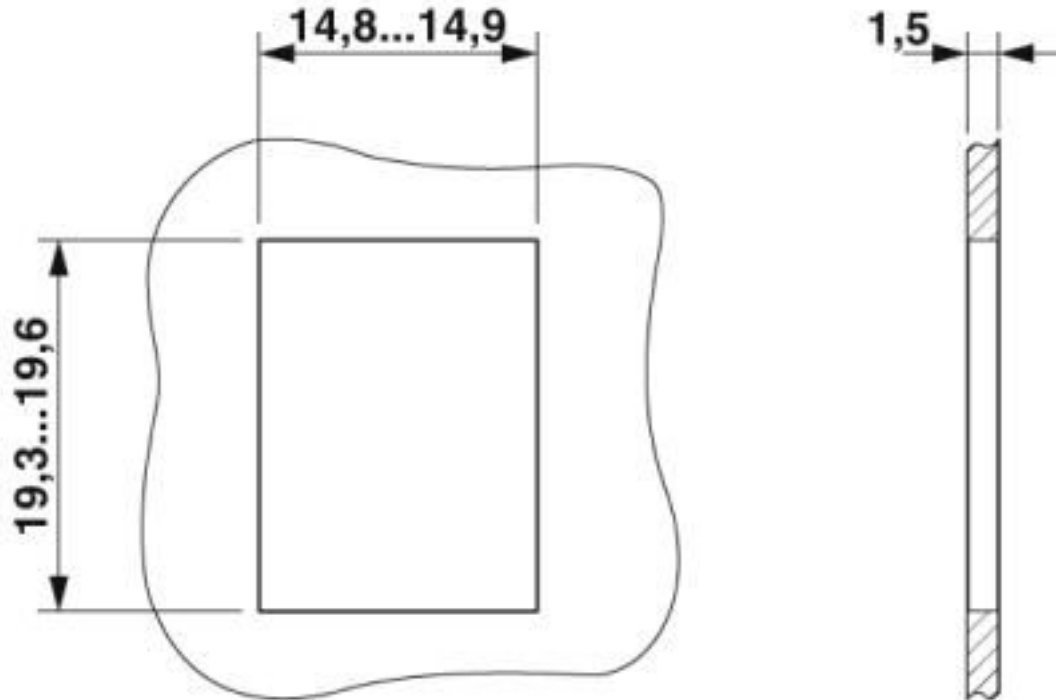
RJ45 coupling - VS-08-BU-RJ45/BU - 1689064

Schematic diagram



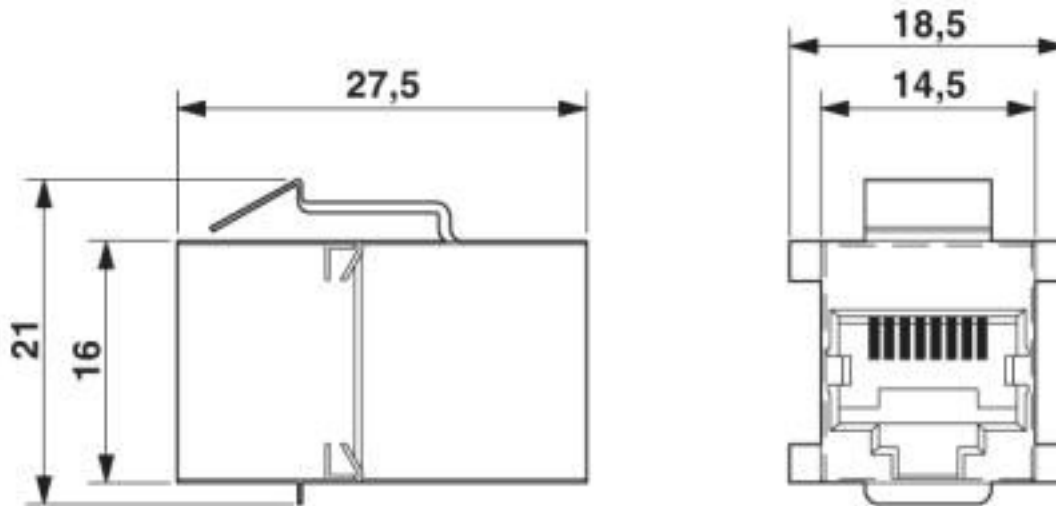
RJ45 coupling - VS-08-BU-RJ45/BU - 1689064

Drilling diagram



Panel cutout

Dimensional drawing



RJ45 socket insert, keystone

RJ45 coupling - VS-08-BU-RJ45/BU - 1689064

Classifications

eCl@ss

eCl@ss 10.0.1	27440205
eCl@ss 4.0	27260700
eCl@ss 4.1	27260700
eCl@ss 5.0	27260700
eCl@ss 5.1	27261200
eCl@ss 6.0	27261200
eCl@ss 7.0	27440205
eCl@ss 8.0	27440205
eCl@ss 9.0	27440205

ETIM

ETIM 2.0	EC000438
ETIM 3.0	EC000438
ETIM 4.0	EC000438
ETIM 5.0	EC000438
ETIM 6.0	EC000438
ETIM 7.0	EC000438

UNSPSC

UNSPSC 6.01	30211923
UNSPSC 7.0901	39121522
UNSPSC 11	39121522
UNSPSC 12.01	39121522
UNSPSC 13.2	39121522
UNSPSC 18.0	39121522
UNSPSC 19.0	39121522
UNSPSC 20.0	39121522
UNSPSC 21.0	39121522

Approvals

Approvals

Approvals

EAC

Ex Approvals

Approval details

RJ45 coupling - VS-08-BU-RJ45/BU - 1689064

Approvals

EAC



B.01687

Accessories

Accessories

Panel mounting frame

Panel mounting frames - VS-08-A-RJ45/MOD-1-IP20 - 1689433



RJ45 panel mounting frame, 1x, IP20, for modular socket inserts (Keystone), without mounting screws

Panel mounting frames - VS-08-A-RJ45/MOD-1-R-IP67 - 1689844



RJ45 panel mounting frame, IP67, for modular socket inserts (Keystone), for round panel cutout, with grommet, with thread and union nut, color: gray

Panel mounting frames - VS-08-A-RJ45/MOD-1-IP67 - 1689080



RJ45 panel mounting frame, IP67, for modular socket inserts (Keystone), for square panel cutout, with grommet, without mounting screws, color: gray

Panel mounting frames - VS-08-A-RJ45/MOD-1-R-IP67 BK - 1658053



RJ45 panel mounting frame, IP67, for modular socket inserts (Keystone), for round panel cutout, with grommet, with thread and union nut, color: black

RJ45 coupling - VS-08-BU-RJ45/BU - 1689064

Accessories

Panel mounting frames - VS-08-A-RJ45/MOD-1-IP67-BK - 1658642



RJ45 panel mounting frame, IP67, for modular socket inserts (Keystone), for square panel cutout, with grommet, without mounting screws, color: black

Phoenix Contact 2020 © - all rights reserved
<http://www.phoenixcontact.com>

PHOENIX CONTACT GmbH & Co. KG
Flachsmarktstr. 8
32825 Blomberg
Germany
Tel. +49 5235 300
Fax +49 5235 3 41200
<http://www.phoenixcontact.com>

X-ON Electronics

Largest Supplier of Electrical and Electronic Components

Click to view similar products for [Modular Connectors / Ethernet Connectors](#) category:

Click to view products by [Phoenix Contact](#) manufacturer:

Other Similar products are found below :

[8949-H88/06BLKA/SN](#) [74441-0010/BKN](#) [MP1010RX-1000](#) [MP44RX-1000](#) [PHP-6P6C-5](#) [GAX-3-66](#) [GAX-8-62](#) [GDCX-PA-66-50](#) [GDCX-PN-64](#) [GDCX-PN-66](#) [GDCX-PN-66-50](#) [GDLX-A-66](#) [GDLX-N-66](#) [GDLX-S-66](#) [GDLX-S-88K](#) [GDTX-S-88-50](#) [GDX-PA-1010](#) [GLX-N-1010M-BLK](#) [GLX-S-88M-BLK](#) [GMX-N-1010](#) [GMX-S-1010](#) [GMX-S-66](#) [GMX-SMT4-N-88](#) [GPX-2-64](#) [GSGX-N-2-88](#) [GSGX-N-4-88](#) [GSX-NS2-88-3.05](#) [GSX-NS2-88-3.05-50](#) [GSX-NS-88-3.05-50](#) [PT-108A-8C-UL](#) [PT-J951-8C](#) [PTS-J531-8CS-50UL](#) [1-1775629-2](#) [A-2014-0-4](#) [GWLX-S-88-GR](#) [GWLX-S9-88-YG](#) [DC-1021-8-WH-6](#) [1300530003](#) [1324640-4](#) [RJ11FTVC2G](#) [RJ11FTVC2N](#) [RJFTVX2SA1G](#) [132764-001](#) [1413235](#) [MP88X-1000](#) [MPS88RX-5000](#) [E5288-S000K3-L](#) [E5908-15A242-L](#) [155302-001](#) [AX100653](#)