

Cable gland - HC-EMV-KV-M20(7-12,5) - 1690503


Please be informed that the data shown in this PDF Document is generated from our Online Catalog. Please find the complete data in the user's documentation. Our General Terms of Use for Downloads are valid (<http://phoenixcontact.com/download>)



EMC screw connection up to 5 bar, thread length: 5 mm, cable diameter: 7.0 - 12.5 mm, WAF 24, screw connection: M20



Key Commercial Data

Packing unit	25 pc
GTIN	 4 017918 822576
GTIN	4017918822576

Technical data

Dimensions

Length	37 mm
Wrench size, union nut	24 mm
Wrench size, support	24 mm
Hexagon angular dimension	26.4 mm
Length of the connecting thread	8 mm
External cable diameter	7 mm ... 12.5 mm

Ambient conditions

Degree of protection (IP)	IP68 (up to 5 bar)
Ambient temperature (operation)	-20 °C ... 100 °C

General

No. of conductors	1
Cable gland material	Nickel-plated brass
Material, insert	PA
Cable seal material	Neoprene
O-ring material	NBR
Shielded	yes
Thread type on connection side	M20

Cable gland - HC-EMV-KV-M20(7-12,5) - 1690503

Technical data

General

Torque	12 Nm (Union nut)
	12 Nm
Tightening torque, union nut	12.00 Nm
Color	silver
Connection	<p>Assembly instruction:</p> <p>Method 1 Cut the outer sheath at around 15 mm, but do not remove it. Feed the cable through the screw connection and then remove the outer sheath. Now pull the cable back until the connection is established between the cable shield and the contact spring.</p> <p>Method 2 Push the braided shield back around 15 ... 20 mm over the outer sheath. Insert the cables into the screw connection until the connection is established between the cable shield and the contact spring.</p> <p>Method 3 Expose (partially strip) around 10 mm of the braided shield and feed the cable through the screw connection until the connection is established between the cable shield and the contact spring.</p>

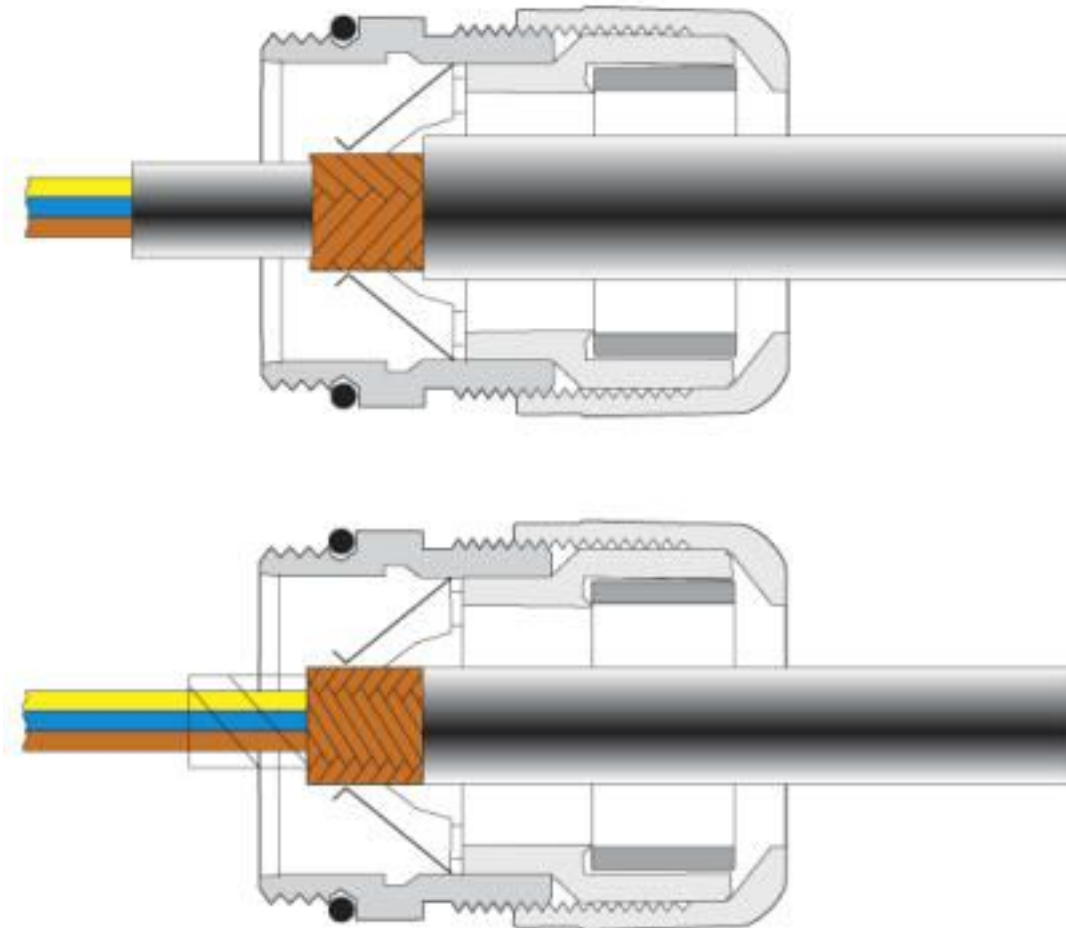
Environmental Product Compliance

China RoHS	Environmentally Friendly Use Period = 50 years
	For details about hazardous substances go to tab "Downloads", Category "Manufacturer's declaration"

Drawings

Cable gland - HC-EMV-KV-M20(7-12,5) - 1690503

Functional drawing



Assembly instructions:

Method 1

Slit the outer sheath after approximately 15 mm, but do not remove it. Guide the cable through the screw connection and then remove the outer sheath. Now withdraw the cable until a connection is established between the conductor shield and the contact spring.

Method 2

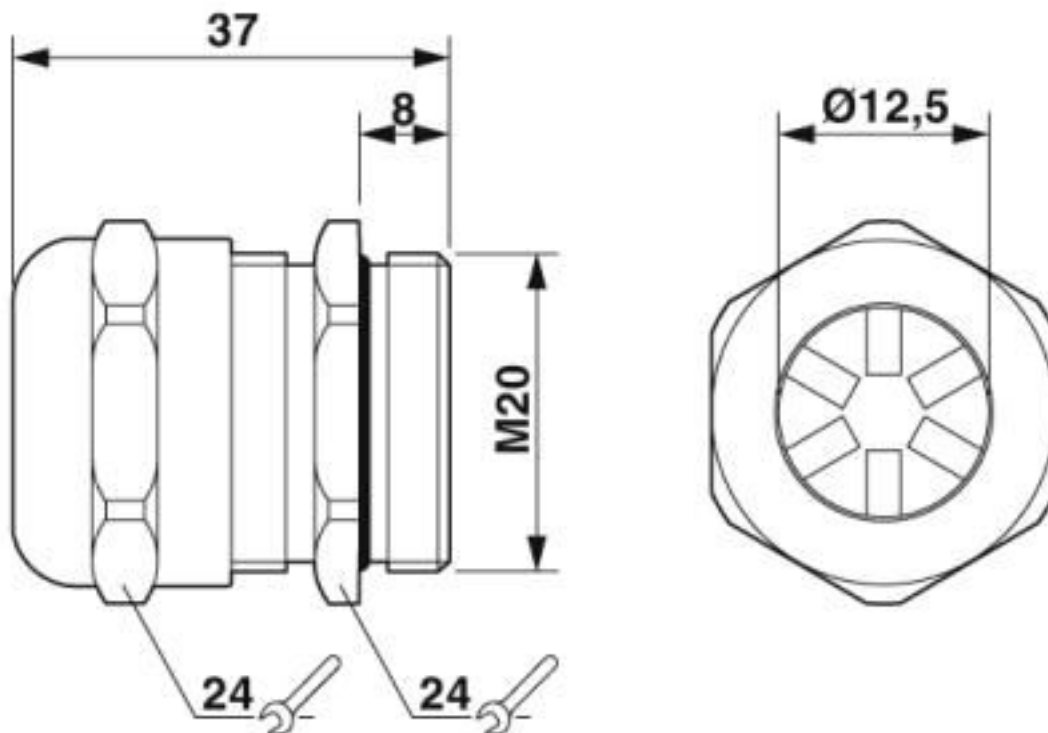
Push the braided shield back approximately 15 - 20 mm over the outer sheath. Insert the cable into the screw connection until a connection is established between the conductor shield and the contact spring.

Method 3

Uncover about 10 mm of the braided shield and guide the cable through the screw connection until a connection is established between the conductor shield and the contact spring.

Cable gland - HC-EMV-KV-M20(7-12,5) - 1690503

Dimensional drawing



Classifications

eCl@ss

eCl@ss 4.0	27141209
eCl@ss 4.1	27141209
eCl@ss 5.0	27149109
eCl@ss 5.1	27149100
eCl@ss 6.0	27149100
eCl@ss 7.0	27149109
eCl@ss 8.0	27149109
eCl@ss 9.0	27144432

ETIM

ETIM 2.0	EC000441
ETIM 3.0	EC000441
ETIM 4.0	EC000441
ETIM 5.0	EC000441
ETIM 6.0	EC000441

UNSPSC

UNSPSC 6.01	31261502
UNSPSC 7.0901	31261502

Cable gland - HC-EMV-KV-M20(7-12,5) - 1690503

Classifications

UNSPSC

UNSPSC 11	31261502
UNSPSC 12.01	31261502
UNSPSC 13.2	39121311
UNSPSC 19.0	39121311

Phoenix Contact 2020 © - all rights reserved
<http://www.phoenixcontact.com>

PHOENIX CONTACT GmbH & Co. KG
Flachsmarktstr. 8
32825 Blomberg
Germany
Tel. +49 5235 300
Fax +49 5235 3 41200
<http://www.phoenixcontact.com>

X-ON Electronics

Largest Supplier of Electrical and Electronic Components

Click to view similar products for [Heavy Duty Power Connectors](#) category:

Click to view products by [Phoenix Contact](#) manufacturer:

Other Similar products are found below :

[647757-1](#) [6643411-1](#) [6646058-2](#) [6646137-1](#) [6646138-1](#) [6646479-1](#) [6646608-1](#) [6646786-1](#) [6646940-1](#) [6651091-1](#) [6651525-1](#) [6651529-1](#)
[6651788-1](#) [696475-1](#) [702-32-01109](#) [703-25-02205](#) [73000005059](#) [73000005642](#) [765-15-0080A](#) [765-16-0080B](#) [765-18-0080D](#) [829992-1](#)
[902-77-02113](#) [PS00/A0620/6300](#) [129-1J](#) [1409400](#) [AN0024023](#) [E6374G1](#) [e6389g2](#) [157-43GW8](#) [MS3117-14AC](#) [1643543-1](#) [1650540-1](#)
[1651811-2](#) [1766260-1](#) [1766282-1](#) [1766966-1](#) [1791340000](#) [NLDFT-3-BL-L-S120-M40A](#) [NLDFT-N-W-L-C240-M40B](#) [NLS-2-R-C240-](#)
[M40B](#) [NLS-N-W-C240-M40B](#) [NPS-3-BL-T6](#) [1986615-1](#) [2-1589900-8](#) [2199314-1](#) [KA8102](#) [9300480317](#) [SBS50BRN#6](#) [29131](#)