

## Sensor/actuator box - SACB-4/ 8-M23 - 1692802

Please be informed that the data shown in this PDF Document is generated from our Online Catalog. Please find the complete data in the user's documentation. Our General Terms of Use for Downloads are valid (<http://phoenixcontact.com/download>)




Sensor/actuator box, application: Standard, connection method: M12 socket Plastic, number of slots: 4, number of positions: 5, coding: A - standard, slot assignment: Double, status display: No, Universal; master cable connection: M23 plug connection 90°, shielding: no

### Your advantages

- ✓ Safety in the field, thanks to molded housing and high degree of protection
- ✓ Flexible, distributed bundling of signals in one master cable
- ✓ Save space: distributor box with double occupancy for two sensors in one slot



### Key Commercial Data

|              |   |
|--------------|---|
| Packing unit | 1 pc  |
| GTIN         | <br>4 017918 177935 |
| GTIN         | 4017918177935   |
| Sales Key    | 02  |

### Technical data

#### General

|  |  |
|--|--|
| Rated voltage                            | 120 V AC   |
|  | 120 V DC   |
| Max. operating voltage $U_{max}$         | 135 V  |
| Current carrying capacity per I/O signal | 2 A  |
| Current carrying capacity per slot       | 4 A  |
| Total rated current                      | 12 A   |
| Number of positions                      | 5  |
| Number of slots                          | 4  |
| Flammability rating according to UL 94   | V0   |
| Sensor/actuator connection system        | M12 socket   |
| Note                                     | NOTE: Observe the permissible bending radii when laying conductors, since the degree of protection may be put in jeopardy if the bending |

# Sensor/actuator box - SACB-4/ 8-M23 - 1692802

## Technical data

### General

|  |  |
|--|--|
|  | forces are too high. Alleviate mechanical loads upstream of the connector, e.g. by using cable ties.                     |
|  | Unused slots are to be sealed off prior to commissioning. Suitable sealing elements are to be found under "Accessories". |

### Ambient conditions

|                                 |                  |
|---------------------------------|------------------|
| Degree of protection            | IP65             |
|                                 | IP67             |
| Ambient temperature (operation) | -20 °C ... 75 °C |

### Master cable data/connection data

|  |                     |
|--|---------------------|
| Connection method                            | M23 plug connection |
| Tightening torque slot sensor/actuator cable | 0.4 Nm              |

### Insulation material

|  |             |
|--|-------------|
| Housing material   | PA          |
| Contact material   | CuSn        |
| Contact surface material                                 | Ni/Au       |
| Contact carrier material                                 | PA          |
| Material of contact, master cable side                   | CU alloy    |
| Material of contact surface, master cable side           | Gold-plated |
| Material of the contact carrier on the master cable side | PA          |
| Material of threaded sleeve                              | PA          |
| O-ring material  | NBR         |

### Pin assignment

|  |                        |
|--|------------------------|
| Slot/position = Wire color or connection | 1 / 4 (A) = 15         |
|  | 1 / 2 (B) = 7          |
|  | 2 / 4 (A) = 5          |
|  | 2 / 2 (B) = 4          |
|  | 3 / 4 (A) = 16         |
|  | 3 / 2 (B) = 8          |
|  | 4 / 4 (A) = 3          |
|  | 4 / 2 (B) = 14         |
|  | 1-4 / 1 (+ 120 V) = 19 |
|  | 1-4 / 3 (0 V) = 6      |
|  | 1-4 / 5 (PE) = 12      |

### Standards and Regulations

|  |     |
|--|-----|
| Connection in acc. with standard       | CUL |
| Flammability rating according to UL 94 | V0  |

### Environmental Product Compliance

|            |  |
|------------|--|
| REACH SVHC | Lead 7439-92-1                                 |
| China RoHS | Environmentally Friendly Use Period = 50 years |

# Sensor/actuator box - SACB-4/ 8-M23 - 1692802

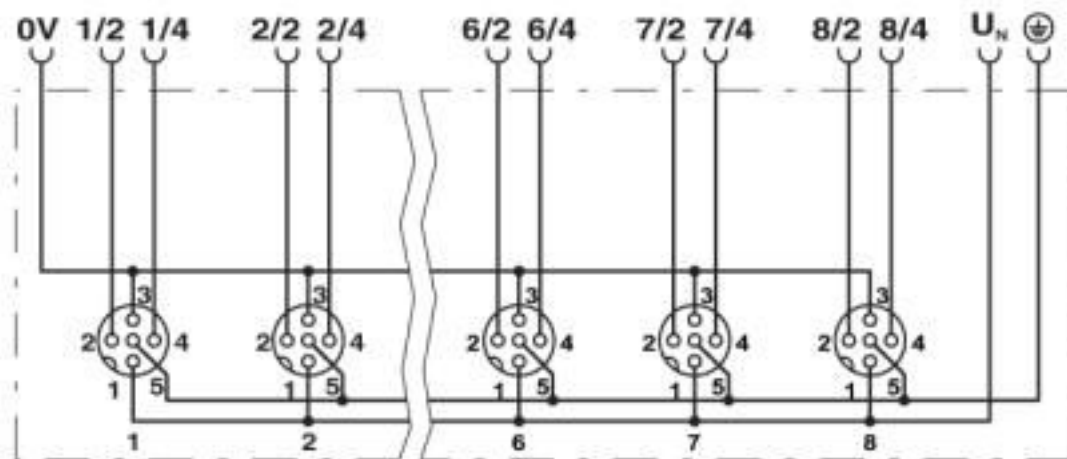
## Technical data

### Environmental Product Compliance

|  |   |
|--|---|
|  | For details about hazardous substances go to tab "Downloads", Category "Manufacturer's declaration" |
|--|---|

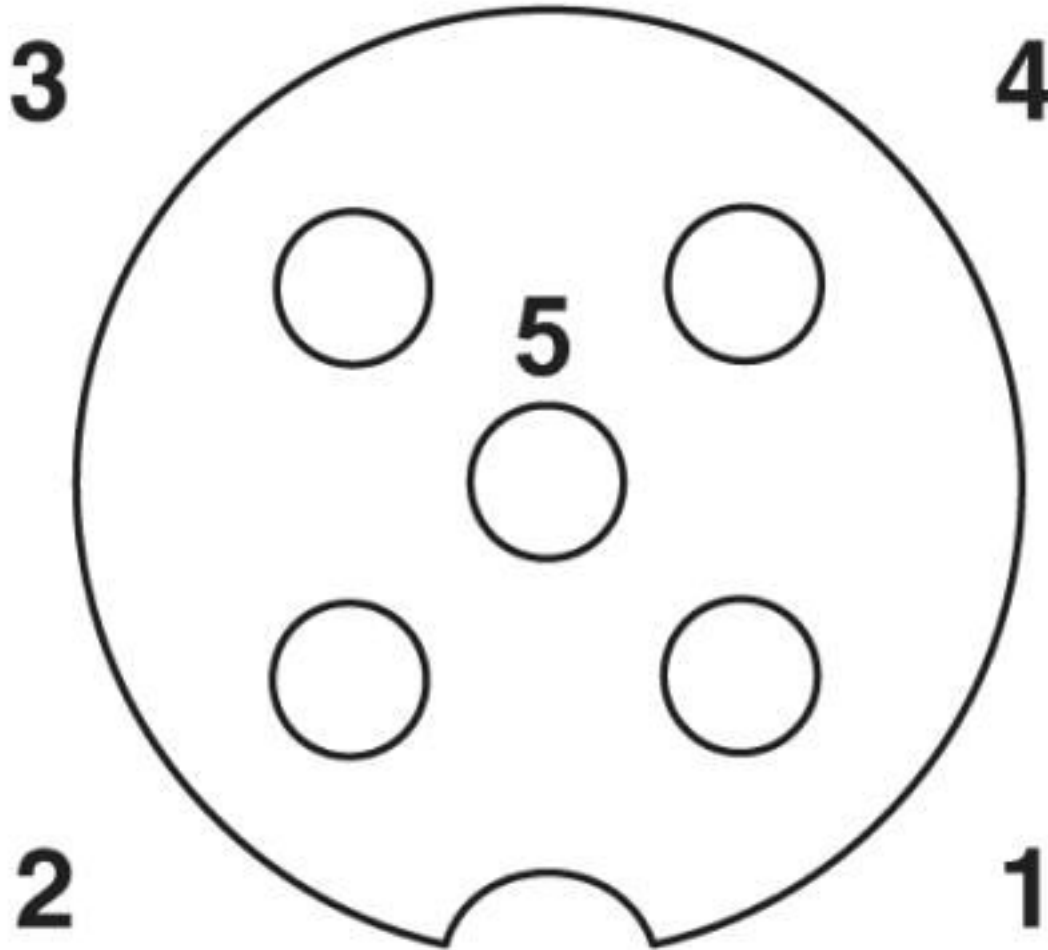
## Drawings

Circuit diagram



## Sensor/actuator box - SACB-4/ 8-M23 - 1692802

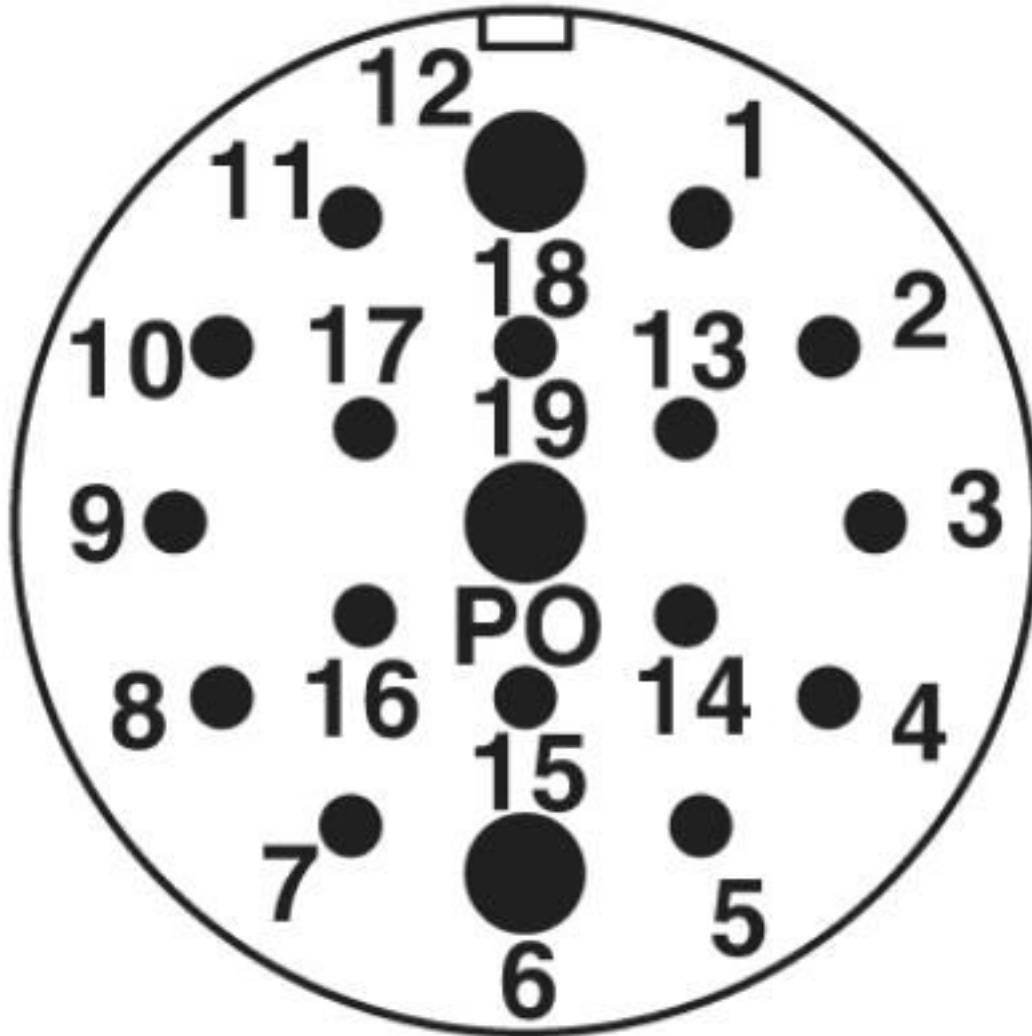
Schematic diagram



M12 slot, socket, 5-pos.

# Sensor/actuator box - SACB-4/ 8-M23 - 1692802

Schematic diagram



M23 plug connection pin, 19-pos.

## Classifications

eCl@ss

|               |          |
|---------------|----------|
| eCl@ss 10.0.1 | 27440111 |
| eCl@ss 4.0    | 27140800 |
| eCl@ss 4.1    | 27140800 |
| eCl@ss 5.0    | 27143400 |
| eCl@ss 5.1    | 27250300 |
| eCl@ss 6.0    | 27279200 |
| eCl@ss 7.0    | 27279219 |
| eCl@ss 8.0    | 27279219 |

# Sensor/actuator box - SACB-4/ 8-M23 - 1692802

## Classifications

### eCl@ss

|            |          |
|------------|----------|
| eCl@ss 9.0 | 27440108 |
|------------|----------|

### ETIM

|          |          |
|----------|----------|
| ETIM 2.0 | EC000200 |
| ETIM 3.0 | EC001856 |
| ETIM 4.0 | EC002585 |
| ETIM 5.0 | EC002585 |
| ETIM 6.0 | EC002585 |
| ETIM 7.0 | EC002585 |

### UNSPSC

|               |          |
|---------------|----------|
| UNSPSC 6.01   | 31261501 |
| UNSPSC 7.0901 | 31261501 |
| UNSPSC 11     | 31261501 |
| UNSPSC 12.01  | 31261501 |
| UNSPSC 13.2   | 31251501 |
| UNSPSC 19.0   | 31251501 |
| UNSPSC 20.0   | 31251501 |
| UNSPSC 21.0   | 31251501 |

## Approvals


### Approvals

#### Approvals

UL Recognized / cUL Recognized / EAC / EAC / cULus Recognized

#### Ex Approvals

### Approval details

|                            |   |   |               |
|----------------------------|---|---|---------------|
| UL Recognized              |  | <a href="http://database.ul.com/cgi-bin/XYV/template/LISEXT/1FRAME/index.htm">http://database.ul.com/cgi-bin/XYV/template/LISEXT/1FRAME/index.htm</a> | FILE E 118976 |
| Nominal voltage UN         | 120 V   |   |               |
| mm <sup>2</sup> /AWG/kcmil | 22-16   |   |               |

# Sensor/actuator box - SACB-4/ 8-M23 - 1692802

## Approvals

|                            |  |   |               |
|----------------------------|--|---|---------------|
| cUL Recognized             |  | <a href="http://database.ul.com/cgi-bin/XYV/template/LISEXT/1FRAME/index.htm">http://database.ul.com/cgi-bin/XYV/template/LISEXT/1FRAME/index.htm</a> | FILE E 118976 |
| Nominal voltage UN         |  | 120 V   |               |
| mm <sup>2</sup> /AWG/kcmil |  | 22-16   |               |

|     |  |               |
|-----|--|---------------|
| EAC |  | EAC-Zulassung |
|-----|--|---------------|

|     |  |                          |
|-----|--|--------------------------|
| EAC |  | RU C-<br>DE.BL08.B.00511 |
|-----|--|--------------------------|

|                  |  |
|------------------|--|
| cULus Recognized |  |
|------------------|--|

## Accessories

### Accessories

#### Device marking

Zack marker strip - ZBN 18:UNBEDRUCKT - 2809128



Zack marker strip, Strip, white, unlabeled, can be labeled with: CMS-P1-PLOTTER, PLOTMARK, mounting type: snap into tall marker groove, for terminal block width: 18 mm, lettering field size: 18 x 5 mm, Number of individual labels: 5

#### Master cable, assembled

Master cable - RCK-TGUM/BL16+3/ 5,0PUR-U - 1684056



Master cable, application: Sensor/actuator box Plastic, number of positions: 19, slot assignment: Double, status display: No; master cable connection: M23 plug connection, PUR/PVC, cable length: 5 m, shielding: no

## Sensor/actuator box - SACB-4/ 8-M23 - 1692802

### Accessories

Master cable - RCK-TGUM/BL16+3/10,0PUR-U - 1684069



Master cable, application: Sensor/actuator box Plastic, number of positions: 19, slot assignment: Double, status display: No; master cable connection: M23 plug connection, PUR/PVC, cable length: 10 m, shielding: no

Master cable - RCK-TWUM/BL16+3/ 5,0PUR-U - 1684072



Master cable, application: Sensor/actuator box, connection method: M12 socket Plastic, number of positions: 19, slot assignment: Double, status display: No; master cable connection: M23 plug connection, PUR/PVC, cable length: 5 m, shielding: no

Master cable - RCK-TWUM/BL16+3/10,0PUR-U - 1684085



Master cable, application: Sensor/actuator box, connection method: M12 socket Plastic, number of positions: 19, slot assignment: Double, status display: No; master cable connection: M23 plug connection, PUR/PVC, cable length: 10 m, shielding: no

Female connector - V-RC/TGUM 13/KVD 13/LBL 16+3 - 1000042



M23 socket, 19-pos., straight, freely configurable, with solder connection, for external cable diameter of 10 mm ... 14 mm

Female connector - V-RC/TWUM 13/KVD 13/LBL 16+3 - 1000044



M23 socket, 19-pos., angled, freely configurable, with solder connection, for external cable diameter of 10 mm ... 14 mm

Plug for cable screw gland



## Sensor/actuator box - SACB-4/ 8-M23 - 1692802

### Accessories

Screw plug - PROT-M12 - 1680539



An M12 screw plug for the unoccupied M12 sockets of the sensor/actuator cable, boxes and flush-type connectors

---

### Protective cap

Protective cap - MSK 1 - 1665897



M23 metal sealing cap, for unoccupied M23 connectors, without steel wire

---

Protective cap - MSK 2 - 1665907



M23 metal sealing cap, for unoccupied M23 connectors, with steel wire

---

Protective cap - KSK 1 - 1685013



Plastic sealing cap, for unoccupied M23 connectors

---

### Screwdriver tools

Tool - SAC BIT M12-D15 - 1208432



Nut for assembling sensor/actuator cables with M12 connector and M12 connectors for assembly, with a knurl diameter of 15 mm, for 4 mm hexagonal drive

---

## Sensor/actuator box - SACB-4/ 8-M23 - 1692802

### Accessories

Tool - SACC BIT M12-D20 - 1208445



Nut for assembling M12 connectors for assembly with a knurl diameter of 20 mm, for 4 mm hexagonal drive

---

### Torque tool

Torque screwdriver - TSD 04 SAC - 1208429



Torque screwdriver, with preset torque of 0.4 Nm and 4 mm hexagonal drive for M12 connectors

---

Pipe spanner - PLUSCON-RCS - 1665062



Special pipe spanner, tool for mounting the M23 connector housing (with assembly), for coupling and sleeve housing

---

Phoenix Contact 2020 © - all rights reserved  
<http://www.phoenixcontact.com>

**PHOENIX CONTACT GmbH & Co. KG**  
Flachsmarktstr. 8  
32825 Blomberg  
Germany  
Tel. +49 5235 300  
Fax +49 5235 3 41200  
<http://www.phoenixcontact.com>

## X-ON Electronics

Largest Supplier of Electrical and Electronic Components

*Click to view similar products for [Circular Metric Connectors](#) category:*

*Click to view products by [Phoenix Contact](#) manufacturer:*

Other Similar products are found below :

[600X518037X](#) [6STD15PCR99B70A](#) [8R4000A16M020](#) [8R5000A16M005](#) [1200910002](#) [1203580030](#) [1200910008](#) [1200910011](#) [1300140094](#)  
[130203-0054](#) [1300140026](#) [1300150099](#) [RF-12S1N8A90DU](#) [1612618](#) [21036836414](#) [8R4006A16M010](#) [1604232](#) [1R3006A20M005](#) [RF-](#)  
[12P1N8A80DU](#) [RF-12P1N8A90DU](#) [41-40011](#) [42-00006](#) [42-01015](#) [4-22279-4](#) [4-22281-1](#) [4-22284-9](#) [43-00113](#) [43-01088](#) [43-01203](#) [41-](#)  
[40013](#) [42-00008](#) [43-00343](#) [43-01026](#) [43-01032](#) [43-01162](#) [43-01173](#) [43-10000](#) [XS3P-M421-2](#) [600X518050X](#) [SACC-DSI-FS-5P-PG9-L180](#)  
[SC](#) [8R5006A16M020](#) [8R5006A16M005](#) [8R4000A16M010](#) [6-22279-3](#) [1605332](#) [N03FA03144](#) [1300140077](#) [43-16213](#) [43-01338](#)  
[XS2RD4265](#)