

# Flush-type connector - SACC-DSIV-M12FS-5CON-L 90 - 1694240

Please be informed that the data shown in this PDF Document is generated from our Online Catalog. Please find the complete data in the user's documentation. Our General Terms of Use for Downloads are valid (<http://phoenixcontact.com/download>)



Sensor/actuator flush-type connector, socket, 5-pos., M12, A-coded, rear/screw mounting with M12 thread, with polarity protection, with angled solder connection



## Key Commercial Data

|              |               |
|--------------|---------------|
| Packing unit | 10 pc         |
| GTIN         |               |
| GTIN         | 4017918177522 |
| Sales Key    | 02            |

## Technical data

### Ambient conditions

|                                 |                                  |
|---------------------------------|----------------------------------|
| Ambient temperature (operation) | -25 °C ... 85 °C (Plug / socket) |
| Degree of protection            | IP67                             |

### General

|                       |  |
|-----------------------|--|
| Rated current at 40°C | 4 A                                    |
| Rated voltage         | 60 V                                   |
| Number of positions   | 5                                      |
| Insulation resistance | ≥ 100 MΩ                               |
| Coding                | A - standard                           |
| Standards/regulations | M12 connector IEC 61076-2-101          |
| Status display        | No                                     |
| Overvoltage category  | II                                     |
| Degree of pollution   | 3                                      |
| Connection method     | Solder pins                            |
| Mounting type         | Rear mounting M12 x 1 With locking nut |

### Material

|  |    |
|--|----|
| Flammability rating according to UL 94 | HB |
|--|----|

## Flush-type connector - SACC-DSIV-M12FS-5CON-L 90 - 1694240

### Technical data

#### Material

|                          |                     |
|--------------------------|---------------------|
| Contact material         | CuZn                |
| Contact surface material | Au                  |
| Contact carrier material | PA 6.6              |
| Material, knurls         | Nickel-plated brass |
| Sealing material         | NBR                 |

#### Standards and Regulations

|  |                               |
|--|-------------------------------|
| Standards/specifications               | M12 connector IEC 61076-2-101 |
| Flammability rating according to UL 94 | HB                            |

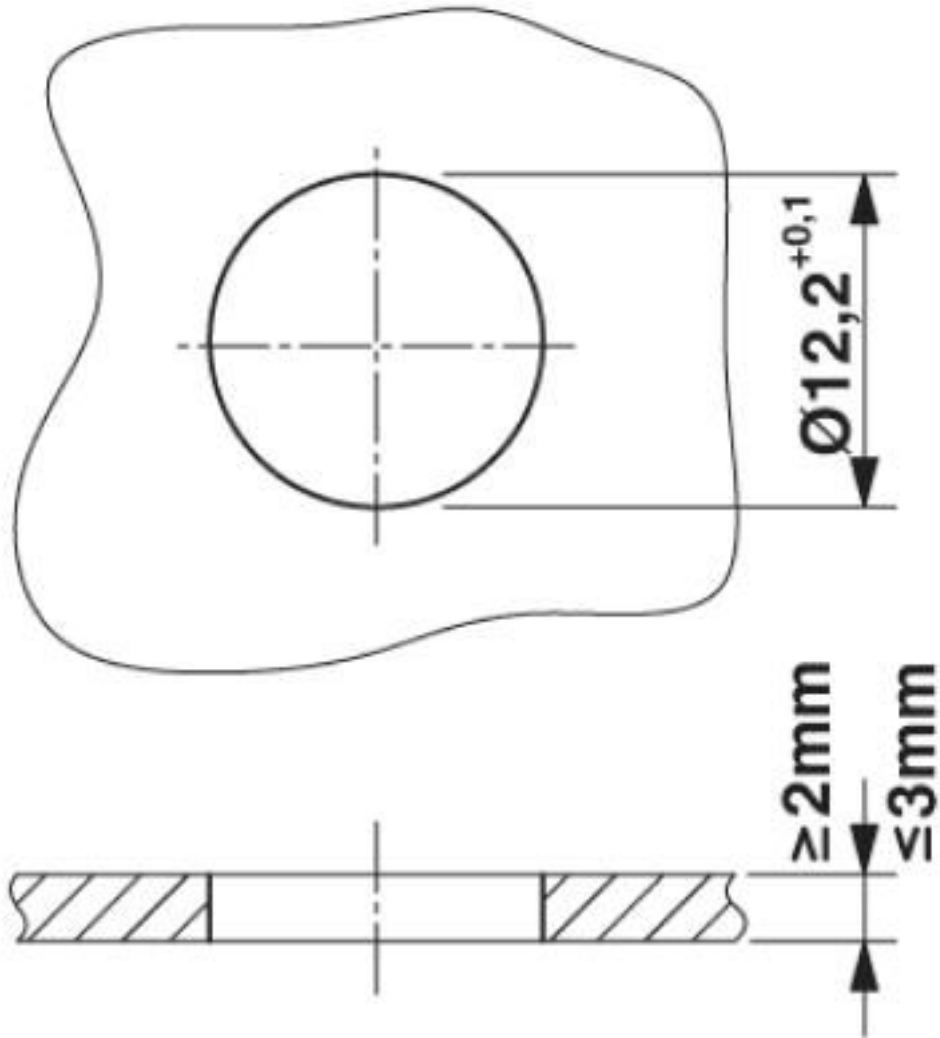
#### Environmental Product Compliance

|            |   |
|------------|---|
| REACH SVHC | Lead 7439-92-1  |
| China RoHS | Environmentally Friendly Use Period = 25;   |
|            | For details about hazardous substances go to tab "Downloads", Category "Manufacturer's declaration" |

### Drawings

# Flush-type connector - SACC-DSIV-M12FS-5CON-L 90 - 1694240

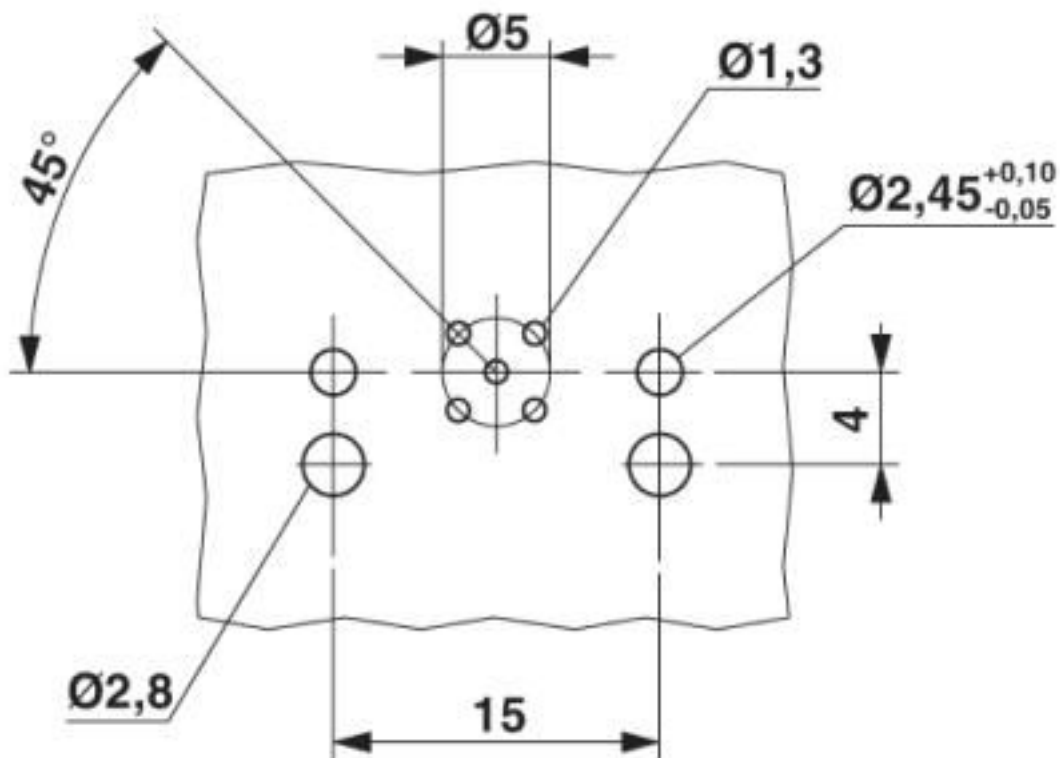
Dimensional drawing



Mounting cutout

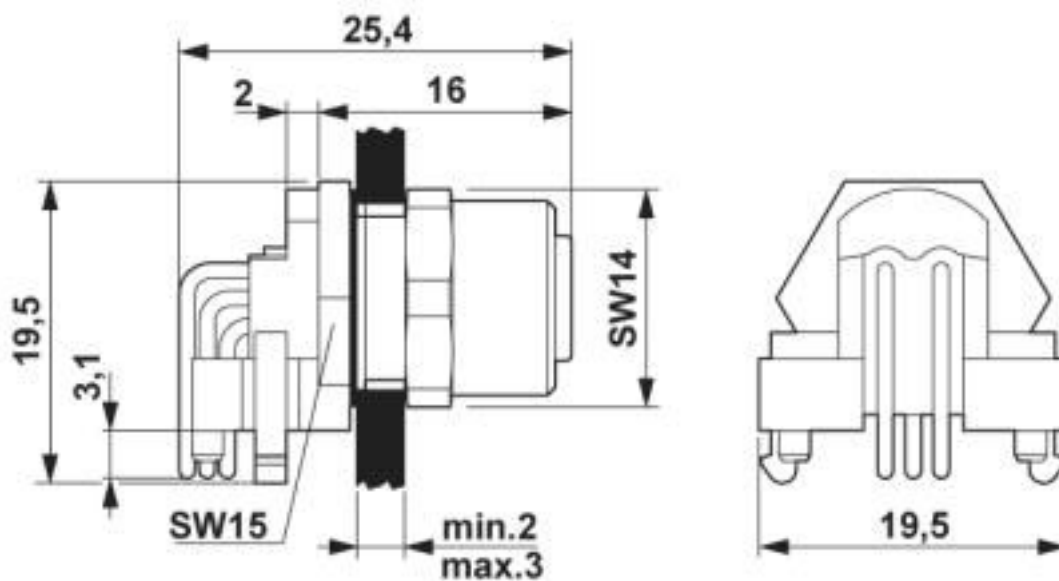
# Flush-type connector - SACC-DSIV-M12FS-5CON-L 90 - 1694240

Drilling diagram



M12 flush-type connector

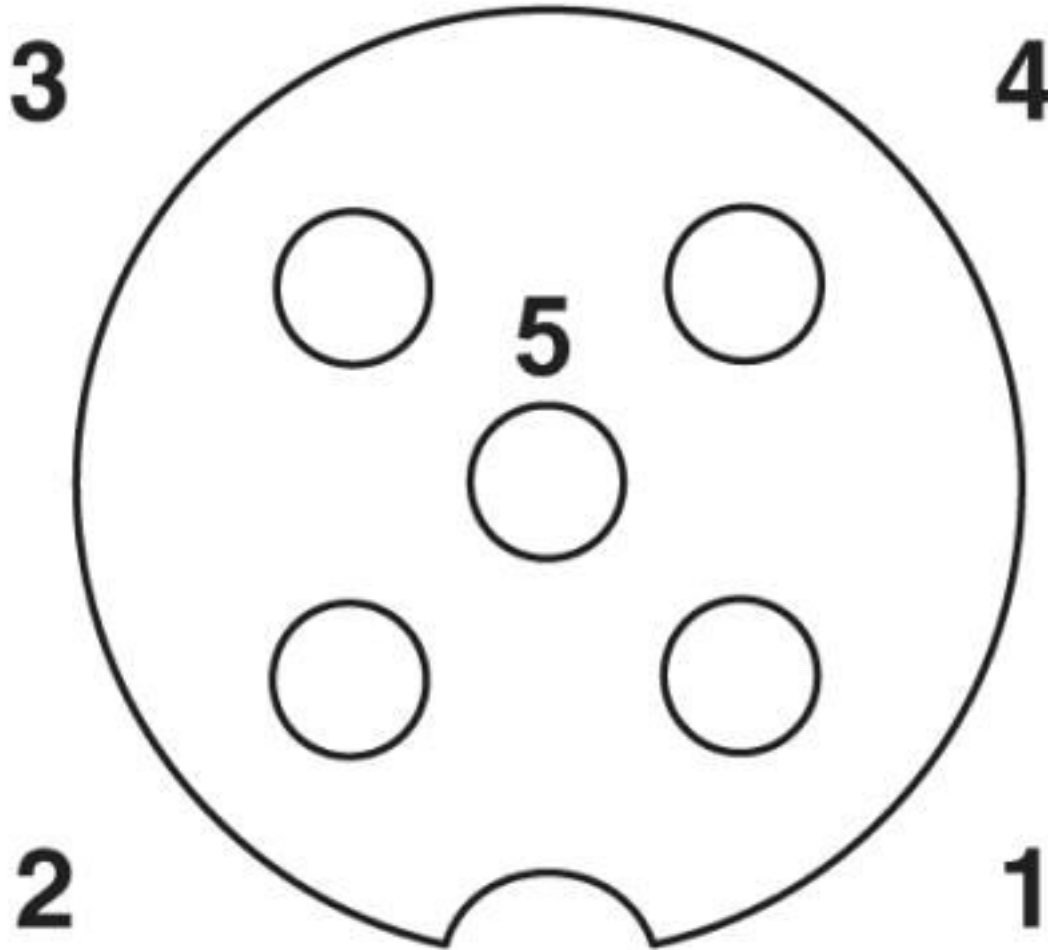
Dimensional drawing



M12 flush-type connector

# Flush-type connector - SACC-DSIV-M12FS-5CON-L 90 - 1694240

Schematic diagram



Pin assignment M12 socket, 5-pos., A-coded, socket side view

## Classifications

eCl@ss

|               |          |
|---------------|----------|
| eCl@ss 10.0.1 | 27440102 |
| eCl@ss 4.0    | 27140800 |
| eCl@ss 4.1    | 27140800 |
| eCl@ss 5.0    | 27143400 |
| eCl@ss 5.1    | 27143400 |
| eCl@ss 6.0    | 27279200 |
| eCl@ss 7.0    | 27440103 |
| eCl@ss 8.0    | 27440103 |
| eCl@ss 9.0    | 27440102 |

# Flush-type connector - SACC-DSIV-M12FS-5CON-L 90 - 1694240

## Classifications

### ETIM

|          |          |
|----------|----------|
| ETIM 2.0 | EC001297 |
| ETIM 3.0 | EC002061 |
| ETIM 4.0 | EC002061 |
| ETIM 5.0 | EC002061 |
| ETIM 6.0 | EC002061 |

### UNSPSC

|               |          |
|---------------|----------|
| UNSPSC 6.01   | 31251501 |
| UNSPSC 7.0901 | 31251501 |
| UNSPSC 11     | 31251501 |
| UNSPSC 12.01  | 31251501 |
| UNSPSC 13.2   | 39121413 |
| UNSPSC 18.0   | 39121413 |
| UNSPSC 19.0   | 39121413 |
| UNSPSC 20.0   | 39121413 |
| UNSPSC 21.0   | 39121413 |

## Approvals


### Approvals


#### Approvals

UL Recognized / cUL Recognized / EAC / cULus Recognized

#### Ex Approvals

### Approval details

|                    |   |   |               |
|--------------------|---|---|---------------|
| UL Recognized      |  | <a href="http://database.ul.com/cgi-bin/XYV/template/LISEXT/1FRAME/index.htm">http://database.ul.com/cgi-bin/XYV/template/LISEXT/1FRAME/index.htm</a> | FILE E 221474 |
| Nominal voltage UN | 125 V   |   |               |
| Nominal current IN | 4 A   |   |               |


|                    |   |   |               |
|--------------------|---|---|---------------|
| cUL Recognized     |  | <a href="http://database.ul.com/cgi-bin/XYV/template/LISEXT/1FRAME/index.htm">http://database.ul.com/cgi-bin/XYV/template/LISEXT/1FRAME/index.htm</a> | FILE E 221474 |
| Nominal voltage UN | 125 V   |   |               |

## Flush-type connector - SACC-DSIV-M12FS-5CON-L 90 - 1694240

### Approvals

|                                |     |
|--------------------------------|-----|
| Nominal current I <sub>N</sub> | 4 A |
|--------------------------------|-----|

|     |   |         |
|-----|---|---------|
| EAC |  | B.01687 |
|-----|---|---------|

|                  |   |
|------------------|---|
| cULus Recognized |  |
|------------------|---|

Phoenix Contact 2020 © - all rights reserved  
<http://www.phoenixcontact.com>

PHOENIX CONTACT GmbH & Co. KG  
Flachsmarktstr. 8  
32825 Blomberg  
Germany  
Tel. +49 5235 300  
Fax +49 5235 3 41200  
<http://www.phoenixcontact.com>

## X-ON Electronics

Largest Supplier of Electrical and Electronic Components

*Click to view similar products for [Circular Metric Connectors](#) category:*

*Click to view products by [Phoenix Contact](#) manufacturer:*

Other Similar products are found below :

[600X518037X](#) [6STD15PCR99B70A](#) [8R4000A16M020](#) [8R5000A16M005](#) [1200910002](#) [1203580030](#) [1200910008](#) [1200910011](#) [1300140094](#)  
[130203-0054](#) [1300140026](#) [1300150099](#) [RF-12S1N8A90DU](#) [1-3637-600-5205](#) [1612618](#) [21036836414](#) [8R4006A16M010](#) [1604232](#)  
[1R3006A20M005](#) [RF-12P1N8A90DU](#) [41-40011](#) [42-00006](#) [42-01015](#) [4-22279-4](#) [4-22281-1](#) [4-22284-9](#) [43-00113](#) [43-01088](#) [43-01203](#) [41-](#)  
[40013](#) [42-00008](#) [43-00343](#) [43-01026](#) [43-01162](#) [43-01173](#) [43-10000](#) [XS3P-M421-2](#) [600X518050X](#) [SACC-DSI-FS-5P-PG9-L180 SC](#)  
[8R5006A16M020](#) [8R5006A16M005](#) [8R4000A16M010](#) [6-22279-3](#) [1605332](#) [N03FA03144](#) [1300140077](#) [43-16213](#) [43-01338](#) [XS2RD4265](#)  
[XS2R-D426-1](#)