

## PCB terminal block - KDS BU - 1701094

Please be informed that the data shown in this PDF Document is generated from our Online Catalog. Please find the complete data in the user's documentation. Our General Terms of Use for Downloads are valid (<http://phoenixcontact.com/download>)

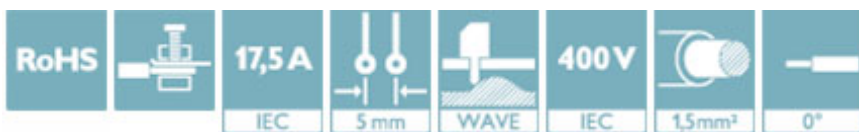


PCB terminal block, nominal current: 17.5 A, nom. voltage: 400 V, pitch: 5 mm, number of positions: 1, connection method: Screw connection, mounting: Wave soldering, conductor/PCB connection direction: 0 °, color: blue. The article can be aligned to create different nos. of positions!

The figure shows a combination as a 15-position version, in green

### Your advantages

- ✓ Well-known connection principle allows worldwide use
- ✓ Low temperature rise, thanks to maximum contact force
- ✓ Allows connection of two conductors
- ✓ Quick and convenient testing using integrated test option
- ✓ Two solder pins reduce the mechanical strain on the soldering spots
- ✓ The latching on the side enables various numbers of positions to be combined



### Key Commercial Data

|              |               |
|--------------|---------------|
| Packing unit | 50 pc         |
| GTIN         |               |
| GTIN         | 4017918022976 |

### Technical data

#### Dimensions

|                |         |
|----------------|---------|
| Length [ l ]   | 18.6 mm |
| Pitch          | 5 mm    |
| Height         | 14 mm   |
| Solder pin [P] | 4.9 mm  |
| Hole diameter  | 1.4 mm  |

#### General

|                             |      |
|-----------------------------|------|
| Range of articles           | KDS  |
| Insulating material group   | I    |
| Rated surge voltage (III/3) | 4 kV |

# PCB terminal block - KDS BU - 1701094

## Technical data

### General

|  |   |
|--|---|
| Rated surge voltage (III/2)            | 4 kV  |
| Rated surge voltage (II/2)             | 4 kV  |
| Rated voltage (III/3)                  | 250 V   |
| Rated voltage (III/2)                  | 400 V   |
| Rated voltage (II/2)                   | 630 V   |
| Connection in acc. with standard       | EN-VDE  |
| Nominal current I <sub>N</sub>         | 17.5 A  |
| Nominal cross section                  | 1.5 mm <sup>2</sup>                                       |
| Maximum load current                   | 24 A (with a 2.5 mm <sup>2</sup> conductor cross section) |
| Insulating material                    | PA  |
| Flammability rating according to UL 94 | V2  |
| Stripping length                       | 10 mm   |
| Number of positions                    | 1   |
| Screw thread                           | M2,6  |
| Tightening torque, min                 | 0.4 Nm  |
| Tightening torque max                  | 0.5 Nm  |

### Connection data

|  |                      |
|--|----------------------|
| Conductor cross section solid min.   | 0.14 mm <sup>2</sup> |
| Conductor cross section solid max.   | 2.5 mm <sup>2</sup>  |
| Conductor cross section flexible min.                                      | 0.14 mm <sup>2</sup> |
| Conductor cross section flexible max.                                      | 1.5 mm <sup>2</sup>  |
| Conductor cross section flexible, with ferrule without plastic sleeve min. | 0.25 mm <sup>2</sup> |
| Conductor cross section flexible, with ferrule without plastic sleeve max. | 1 mm <sup>2</sup>    |
| Conductor cross section flexible, with ferrule with plastic sleeve min.    | 0.25 mm <sup>2</sup> |
| Conductor cross section flexible, with ferrule with plastic sleeve max.    | 1 mm <sup>2</sup>    |
| Conductor cross section AWG min.   | 26                   |
| Conductor cross section AWG max.   | 14                   |
| 2 conductors with same cross section, solid min.                           | 0.14 mm <sup>2</sup> |
| 2 conductors with same cross section, solid max.                           | 0.75 mm <sup>2</sup> |
| 2 conductors with same cross section, stranded min.                        | 0.14 mm <sup>2</sup> |
| 2 conductors with same cross section, stranded max.                        | 0.5 mm <sup>2</sup>  |

### Standards and Regulations

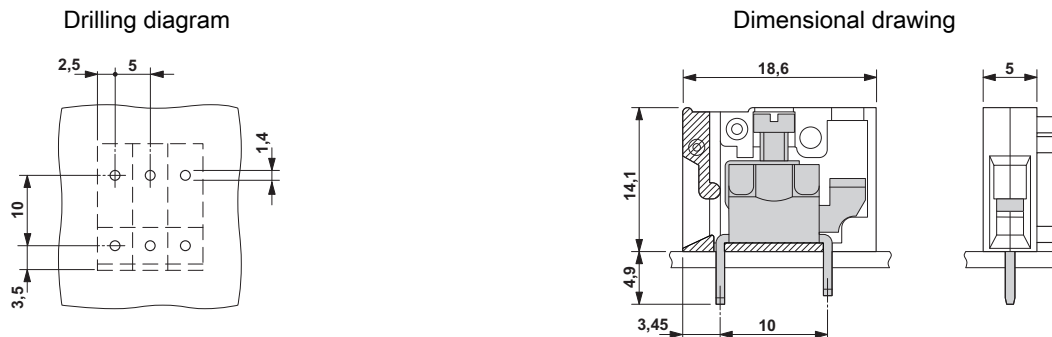
|  |        |
|--|--------|
| Connection in acc. with standard       | EN-VDE |
|  | CSA    |
| Flammability rating according to UL 94 | V2     |

### Environmental Product Compliance

|            |   |
|------------|---|
| China RoHS | Environmentally friendly use period: unlimited = EFUP-e |
|            | No hazardous substances above threshold values          |

# PCB terminal block - KDS BU - 1701094

## Drawings



## Approvals

### Approvals

Approvals

CSA / CCA / UL Recognized / SEV / EAC

Ex Approvals

### Approval details


|                            |       |   |       |
|----------------------------|-------|---|-------|
| CSA                        |       | <a href="http://www.csagroup.org/services-industries/product-listing/">http://www.csagroup.org/services-industries/product-listing/</a> | 13631 |
|                            | B     | C   |       |
| Nominal voltage UN         | 300 V | 50 V  |       |
| Nominal current IN         | 10 A  | 10 A  |       |
| mm <sup>2</sup> /AWG/kcmil | 24-12 | 24-12   |       |

|                            |         |
|----------------------------|---------|
| CCA                        | IK-3249 |
| Nominal voltage UN         | 250 V   |
| mm <sup>2</sup> /AWG/kcmil | 2.5     |

|                            |       |   |              |
|----------------------------|-------|---|--------------|
| UL Recognized              |       | <a href="http://database.ul.com/cgi-bin/XYV/template/LISEXT/1FRAME/index.htm">http://database.ul.com/cgi-bin/XYV/template/LISEXT/1FRAME/index.htm</a> | FILE E 60425 |
|                            | B     | C   |              |
| Nominal voltage UN         | 250 V | 50 V  |              |
| Nominal current IN         | 15 A  | 15 A  |              |
| mm <sup>2</sup> /AWG/kcmil | 30-14 | 30-14   |              |

## PCB terminal block - KDS BU - 1701094

### Approvals

|                            |   |   |         |
|----------------------------|---|---|---------|
| SEV                        |  | <a href="https://www.electrosuisse.ch/de/meta/shop/produktezertifikate.html">https://www.electrosuisse.ch/de/meta/shop/produktezertifikate.html</a> | IK-4199 |
| Nominal voltage UN         |   | 250 V   |         |
| Nominal current IN         |   | 24 A  |         |
| mm <sup>2</sup> /AWG/kcmil |   | 2.5   |         |

|     |   |         |
|-----|---|---------|
| EAC |  | B.01742 |
|-----|---|---------|

Phoenix Contact 2018 © - all rights reserved  
<http://www.phoenixcontact.com>

PHOENIX CONTACT GmbH & Co. KG  
Flachsmarktstr. 8  
32825 Blomberg  
Germany  
Tel. +49 5235 300  
Fax +49 5235 3 41200  
<http://www.phoenixcontact.com>

## X-ON Electronics

Largest Supplier of Electrical and Electronic Components

*Click to view similar products for [Fixed Terminal Blocks](#) category:*

*Click to view products by [Phoenix Contact](#) manufacturer:*

Other Similar products are found below :

[MBE-1512](#) [MBE-154](#) [MBE-156](#) [MBES-153](#) [MBES-156](#) [MH-2512](#) [MHE-132](#) [MHE-163](#) [MI-254 \(35\)](#) [MI-272](#) [880507](#) [MPT-275](#)  
[15602-04-08-21](#) [BA311TU](#) [BA411SU](#) [MV-152](#) [MV-252-D](#) [MV-253/NCNOC](#) [MV-254-D](#) [MV-255](#) [MV-462](#) [MV-493](#) [MVE-252](#) [MVE-253](#)  
[MVE-273](#) [MVEB-153](#) [1700096](#) [1705142](#) [1712417](#) [1713020](#) [1713088](#) [1745195](#) [1760594](#) [1776118-2](#) [1790852](#) [1-796689-8](#) [1-796692-6](#)  
[1800001](#) [1800114](#) [1995279](#) [20020314-C121B01LF](#) [CB2-12](#) [KP03215000J0G](#) [KP04215000J0G](#) [S451](#) [282802-2](#) [29.007](#) [29.116](#) [30.103](#)  
[30.106](#)