

PCB terminal block - PTQ 0,3/ 2-2,5 THR R32 - 1702610

Please be informed that the data shown in this PDF Document is generated from our Online Catalog. Please find the complete data in the user's documentation. Our General Terms of Use for Downloads are valid (<http://phoenixcontact.com/download>)




PCB terminal block, nominal current: 4 A, rated voltage (III/2): 160 V, nominal cross section: 0.34 mm², pitch: 2.5 mm, number of positions: 2, connection method: Displacement connection, mounting: THR soldering, conductor/PCB connection direction: 0 °, color: black, Pin layout: Zigzag pinning W, Solder pin [P]: 2 mm

Your advantages

- ✓ Connection without conductor pretreatment for huge time savings
- ✓ Finger-operated QUICKON insulation displacement connection enables repeated conductor connection
- ✓ Designed for integration into the SMT soldering process
- ✓ Supplied in tape-on-reel packing according to IEC 60286-3 for automated mounting
- ✓ Anti-rotation pin supports positioning on the PCB
- ✓ Satisfies CAT5 requirements in accordance with EN 50173 and ISO/IEC 11801



Key Commercial Data

Packing unit	250 pc
Minimum order quantity	250 pc
GTIN	 4 046356 599498
GTIN	4046356599498

Technical data

Item properties

Brief article description	PCB terminal block
Range of articles	PTQ 0,3/..-THR
Pitch	2.5 mm
Number of positions	2
Connection method	Displacement connection
Mounting type	THR soldering
Pin layout	Zigzag pinning W
Number of levels	1
Number of connections	2

PCB terminal block - PTQ 0,3/ 2-2,5 THR R32 - 1702610

Technical data

Item properties

Number of potentials	2
----------------------	---

Electrical parameters

Nominal current	4 A
Nom. voltage	160 V
Rated voltage	160 V
Rated voltage (III/2)	160 V
Rated voltage (II/2)	200 V
Rated surge voltage (III/3)	2.5 kV
Rated surge voltage (III/2)	2.5 kV
Rated surge voltage (II/2)	2.5 kV

Connection capacity

Connection method	Displacement connection
pluggable	no
Conductor cross section solid	0.14 mm ² ... 0.34 mm ²
Conductor cross section flexible	0.14 mm ² ... 0.34 mm ²
Conductor cross section AWG / kcmil	26 ... 22

Material data - contact

Note	WEEE/RoHS-compliant, free of whiskers according to IEC 60068-2-82/ JEDEC JESD 201
Contact material	Cu alloy
Surface characteristics	hot-dip tin-plated
Metal surface terminal point (top layer)	Tin (3 - 5 µm Sn)
Metal surface terminal point (middle layer)	Nickel (1.3 - 3 µm Ni)
Metal surface soldering area (top layer)	Tin (3 - 5 µm Sn)
Metal surface soldering area (middle layer)	Nickel (1.3 - 3 µm Ni)

Material data - housing

Housing color	black (9005)
Insulating material	LCP
Insulating material group	IIIa
CTI according to IEC 60112	175
Flammability rating according to UL 94	V0

Dimensions for the product

Caption	Schematic representation – for additional information, see product range drawing in the Download Center
Length [l]	17.55 mm
Width [w]	7 mm
Height [h]	8 mm
Pitch	2.5 mm
Height (without solder pin)	8 mm

PCB terminal block - PTQ 0,3/ 2-2,5 THR R32 - 1702610

Technical data

Dimensions for the product

Solder pin [P]	2 mm
Pin spacing	2.5 mm
Pin dimensions	0.9 x 0.4 mm

Dimensions for PCB design

Hole diameter	1.1 mm
Pin spacing	2.5 mm

Packaging information

Type of packaging	32 mm wide tape
Pieces per package	250
Denomination packing units	Pcs.
[W] tape width	32 mm
[A] coil diameter	330 mm
[W2] coil overall dimension	38.4 mm
Outer packaging type	Transparent-Bag
ESD level	(D) electrostatically conductive
Specification	DIN EN 61340-5-1 (VDE 0300-5-1): 2008-07

Processing notes

Process	Reflow/wave soldering
Specification	Following IPC/JEDEC J-STD-020D.1:2008-03
	Following IEC 61760-1:2006-04
	Following IEC 60068-2-58:2005-02
Moisture Sensitive Level	MSL 1
Classification temperature T _c	260 °C
Solder cycles in the reflow	3

Ambient conditions

Ambient temperature (storage/transport)	-40 °C ... 70 °C
Ambient temperature (assembly)	-5 °C ... 100 °C
Ambient temperature (operation)	-40 °C ... 100 °C (Depending on the current carrying capacity/derating curve)

Termination and connection method

Connection test	IEC 60998-2-3:2002-12
Test result	Test passed

Pull-out test

Pull-out test	IEC 60999-1:1999-11
	Test passed
Conductor cross section / conductor type / tensile force	0.2 mm ² / solid / > 10 N
	0.2 mm ² / flexible / > 10 N

Mechanical tests according to standard

PCB terminal block - PTQ 0,3/ 2-2,5 THR R32 - 1702610

Technical data

Mechanical tests according to standard

Test specification	IEC 60998-2-3
--------------------	---------------

Electrical tests

Rated current	4 A
Conductor cross section	0.34 mm ²
Rated voltage (III/2)	160 V
Rated surge voltage (III/2)	2.5 kV

Air clearances and creepage distances

Clearances and creepage distances	IEC 60664-1:2007-04
Specification	IEC 60664-1:2007-04
Minimum clearance - inhomogeneous field (III/3)	1.5 mm
Minimum clearance - inhomogeneous field (III/2)	1.5 mm
Minimum clearance - inhomogeneous field (II/2)	1.5 mm
Minimum creepage distance value (III/3)	2.5 mm
Minimum creepage distance value (III/2)	1.6 mm
Minimum creepage distance value (II/2)	2 mm

Temperature cycles

Specification	IEC 60998-2-3:2002-12
Test current (minimum cross section)	4 A DC
Test current (maximum cross section)	4 A DC
Temperature cycles	384

Temperature-rise test

Specification	IEC 60998-1:2002-12
Result	Test passed
Requirement temperature-rise test	Increase in temperature ≤ 45 K

Current carrying capacity / derating curves

Caption	Type: PTQ 0,3/..-2,5(-L) THR R32
---------	----------------------------------

Resistance to ageing, humidity and penetration of solids

Dry heat	168 h/70 °C
Humid heat	48 h/25 °C/92%

Insulation resistance

Specification	IEC 60512-3-1:2002-02
Result	Test passed
Insulation resistance, neighboring positions	500 TΩ

Glow-wire test

Specification	IEC 60998-1:2002-12
Result	Test passed
Temperature	850 °C

PCB terminal block - PTQ 0,3/ 2-2,5 THR R32 - 1702610

Technical data

Glow-wire test

Time of exposure	5 s
------------------	-----

Mechanical strength/tumbling barrel test

Specification	IEC 60998-1:2002-12
Height of fall	50 cm
Number of drop cycles	50
Rotation speed	5 rpm

Standards and Regulations

Connection in acc. with standard	CUL
Flammability rating according to UL 94	V0

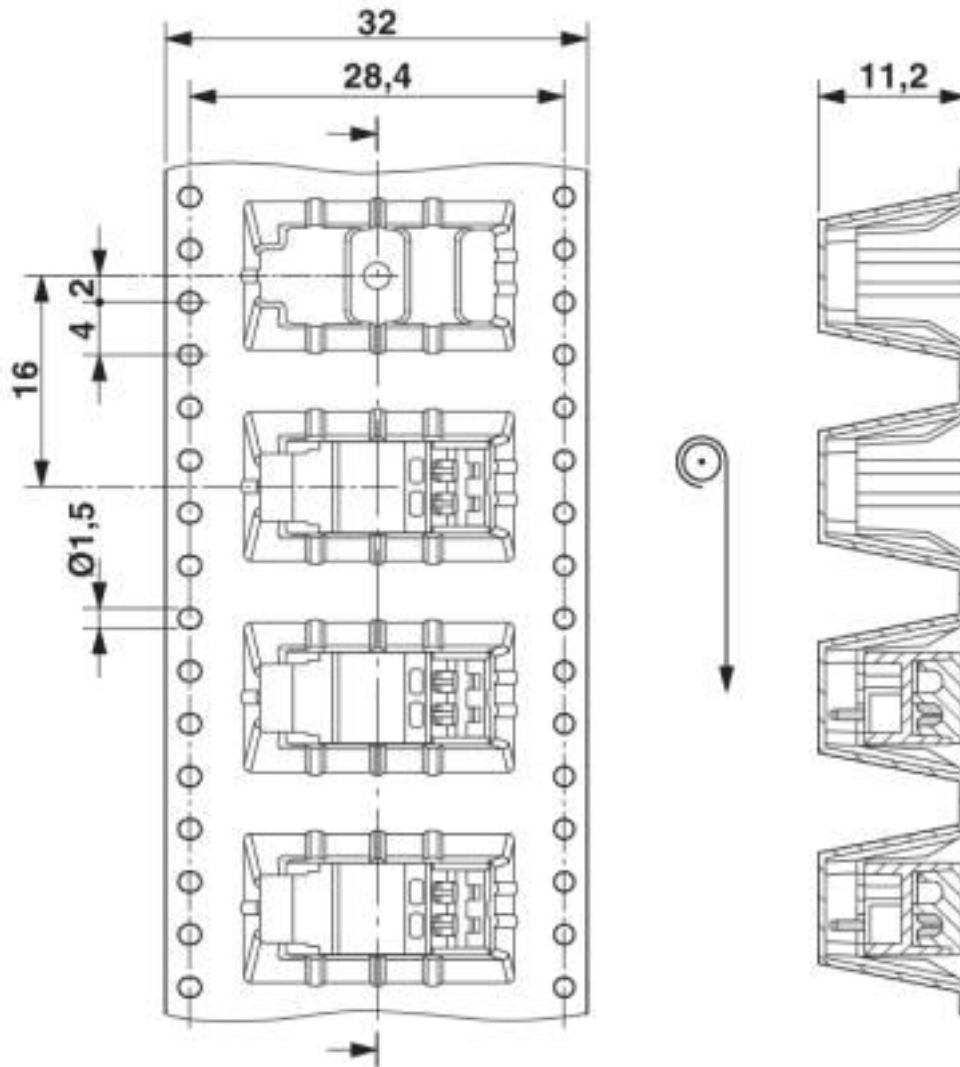
Environmental Product Compliance

China RoHS	Environmentally friendly use period: unlimited = EFUP-e
	No hazardous substances above threshold values

Drawings

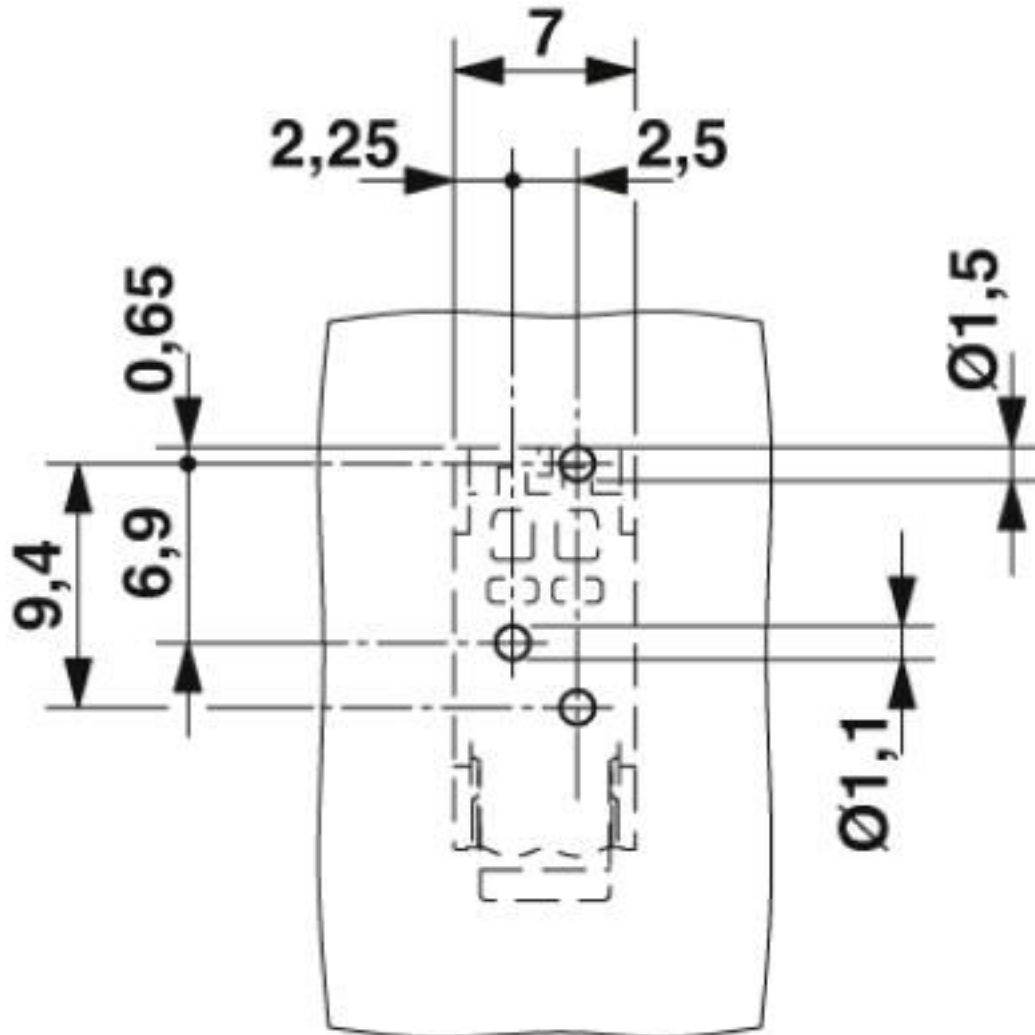
PCB terminal block - PTQ 0,3/ 2-2,5 THR R32 - 1702610

Dimensional drawing



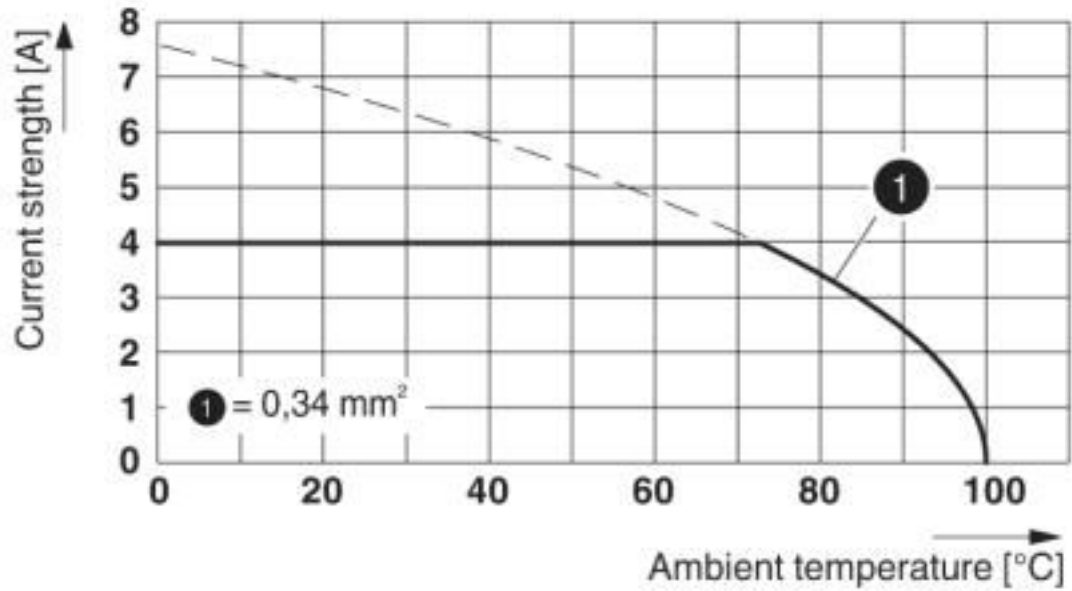
PCB terminal block - PTQ 0,3/ 2-2,5 THR R32 - 1702610

Drilling diagram



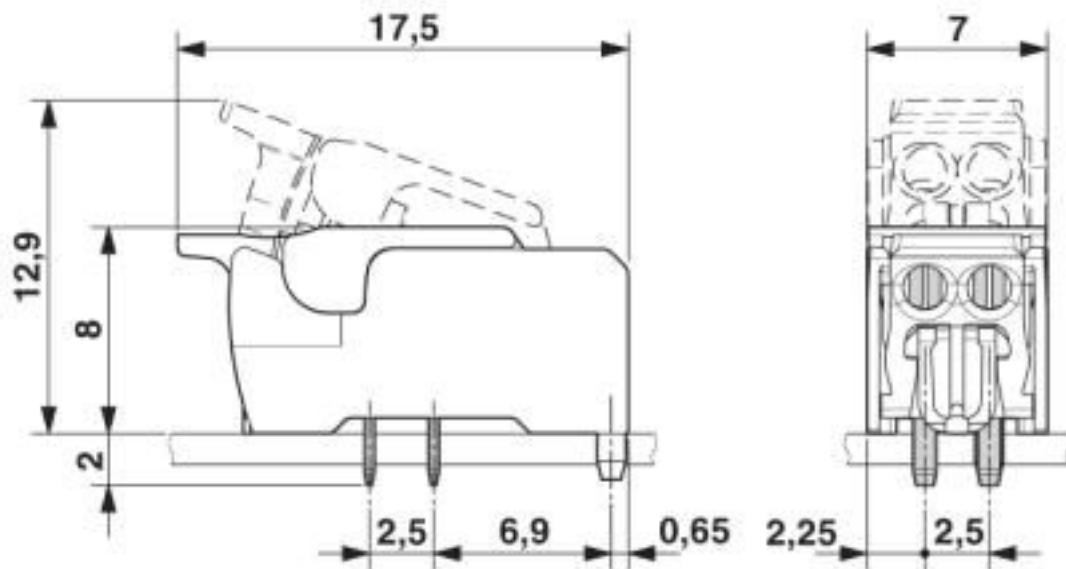
PCB terminal block - PTQ 0,3/ 2-2,5 THR R32 - 1702610

Diagram



Type: PTQ 0,3/..-2,5(-L) THR R32

Dimensional drawing



Classifications

eCl@ss

eCl@ss 10.0.1	27440401
eCl@ss 4.0	27260700
eCl@ss 4.1	27141100
eCl@ss 5.0	27141100

PCB terminal block - PTQ 0,3/ 2-2,5 THR R32 - 1702610

Classifications

eCl@ss

eCl@ss 5.1	27261100
eCl@ss 6.0	27261100
eCl@ss 7.0	27440401
eCl@ss 8.0	27440401
eCl@ss 9.0	27440401

ETIM

ETIM 4.0	EC002643
ETIM 5.0	EC002643
ETIM 6.0	EC002643
ETIM 7.0	EC002643

UNSPSC

UNSPSC 6.01	30211801
UNSPSC 7.0901	39121432
UNSPSC 11	34131203
UNSPSC 12.01	39121432
UNSPSC 13.2	39121432
UNSPSC 18.0	39121432
UNSPSC 19.0	39121432
UNSPSC 20.0	39121432
UNSPSC 21.0	39121432

Approvals

Approvals

Approvals

CCA / IEC/CEB Scheme / VDE Gutachten mit Fertigungsüberwachung / EAC / cULus Recognized

Ex Approvals

Approval details

CCA	CCA/ DE1 34151
Nominal voltage UN	130 V
Nominal current IN	4 A
mm ² /AWG/kcmil	0.2

PCB terminal block - PTQ 0,3/ 2-2,5 THR R32 - 1702610

Approvals

IECEE CB Scheme		http://www.iecee.org/	DE1-55832
Nominal voltage UN	130 V		
Nominal current IN	4 A		
mm ² /AWG/kcmil	0.2		

VDE Gutachten mit Fertigungsüberwachung		http://www2.vde.com/de/Institut/Online-Service/VDE-gepruefteProdukte/Seiten/Online-Suche.aspx	40034315
Nominal voltage UN	130 V		
Nominal current IN	4 A		
mm ² /AWG/kcmil	0.2		

EAC			B.01687
-----	--	--	---------

cULus Recognized		http://database.ul.com/cgi-bin/XYV/template/LISEXT/1FRAME/index.htm	E60425-20110108
Nominal voltage UN	150 V		
Nominal current IN	2 A		
mm ² /AWG/kcmil	24		

Accessories

Additional products

Sample set - SAMPLE PTQ 0,3/ 2-2,5 THR R32 - 1799099



PCB terminal block, nominal current: 4 A, rated voltage (III/2): 160 V, nominal cross section: 0.34 mm², pitch: 2.5 mm, number of positions: 2, connection method: Displacement connection, mounting: THR soldering, conductor/PCB connection direction: 0 °, color: black

Phoenix Contact 2020 © - all rights reserved
<http://www.phoenixcontact.com>

PHOENIX CONTACT GmbH & Co. KG
Flachmarktstr. 8
32825 Blomberg
Germany
Tel. +49 5235 300
Fax +49 5235 3 41200
<http://www.phoenixcontact.com>

X-ON Electronics

Largest Supplier of Electrical and Electronic Components

Click to view similar products for [Fixed Terminal Blocks](#) category:

Click to view products by [Phoenix Contact](#) manufacturer:

Other Similar products are found below :

[MBE-1512](#) [MBE-154](#) [MBE-156](#) [MBES-153](#) [MBES-156](#) [MH-2512](#) [MHE-132](#) [MHE-163](#) [MI-254 \(35\)](#) [MI-272](#) [880507](#) [MPT-275](#)
[15602-04-08-21](#) [BA311TU](#) [BA411SU](#) [MV-152](#) [MV-252-D](#) [MV-253/NCNOC](#) [MV-254-D](#) [MV-255](#) [MV-462](#) [MV-493](#) [MVE-252](#) [MVE-253](#)
[MVE-273](#) [MVEB-153](#) [1700096](#) [1705142](#) [1712417](#) [1713020](#) [1713088](#) [1745195](#) [1760594](#) [1776118-2](#) [1790852](#) [1-796689-8](#) [1-796692-6](#)
[1800001](#) [1800114](#) [1995279](#) [20020314-C121B01LF](#) [CB2-12](#) [KP03215000J0G](#) [KP04215000J0G](#) [S451](#) [282802-2](#) [29.007](#) [29.116](#) [30.103](#)
[30.106](#)