

# Feed-through header - DFK-IPC 16/ 5-GFU-SH-10,16 - 1702921

Please be informed that the data shown in this PDF Document is generated from our Online Catalog. Please find the complete data in the user's documentation. Our General Terms of Use for Downloads are valid (<http://phoenixcontact.com/download>)



Feed-through header, nominal current: 76 A, rated voltage (III/2): 1000 V, nominal cross section: 16 mm<sup>2</sup>, number of positions: 5, pitch: 10.16 mm, color: green, contact surface: Silver, mounting: Wave soldering, pin layout: Linear pinning, solder pin [P]: 4.1 mm

## Your advantages

- ✓ Well-known mounting principle allows worldwide use
- ✓ Flange system enables secure fixing to the housing panel by means of tool-free snap-in locking or screws
- ✓ Inverted header with socket contacts for touch-proof device outputs or PCB/PCB connections
- ✓ Shroud for professional EMC shield feed-through on the inside of the device
- ✓ Screwable flange for superior mechanical stability
- ✓ Integrated double steel spring provides additional safety in the event of temperature and power fluctuations



## Key Commercial Data

|              |               |
|--------------|---------------|
| Packing unit | 10 pc         |
| GTIN         |               |
| GTIN         | 4046356031516 |

## Technical data

### Dimensions

|                          |              |
|--------------------------|--------------|
| Length [ l ]             | 34.55 mm     |
| Width                    | 91.88 mm     |
| Pitch                    | 10.16 mm     |
| Dimension a              | 40.64 mm     |
| Width [ w ]              | 91.88 mm     |
| Height [ h ]             | 22 mm        |
| Installed height         | 19.9 mm      |
| Length of the solder pin | 4.1 mm       |
| Pin dimensions           | 0.8 x 1.2 mm |
| Pin spacing              | 10.16 mm     |

# Feed-through header - DFK-IPC 16/ 5-GFU-SH-10,16 - 1702921

## Technical data

### Dimensions

|        |          |
|--------|----------|
| Length | 34.55 mm |
|--------|----------|

### General

|  |                      |
|--|----------------------|
| Range of articles                      | DFK-IPC 16/...GFU-SH |
| Insulating material group              | I                    |
| Rated surge voltage (III/3)            | 8 kV                 |
| Rated surge voltage (III/2)            | 8 kV                 |
| Rated surge voltage (II/2)             | 6 kV                 |
| Rated voltage (III/3)                  | 1000 V               |
| Rated voltage (III/2)                  | 1000 V               |
| Rated voltage (II/2)                   | 1000 V               |
| Connection in acc. with standard       | EN-VDE               |
| Nominal current $I_N$                  | 76 A                 |
| Maximum load current                   | 76 A                 |
| Insulating material                    | PA                   |
| Flammability rating according to UL 94 | V0                   |
| Color                                  | green                |
| Number of positions                    | 5                    |

### Standards and Regulations

|  |        |
|--|--------|
| Connection in acc. with standard       | EN-VDE |
|  | CUL    |
| Flammability rating according to UL 94 | V0     |

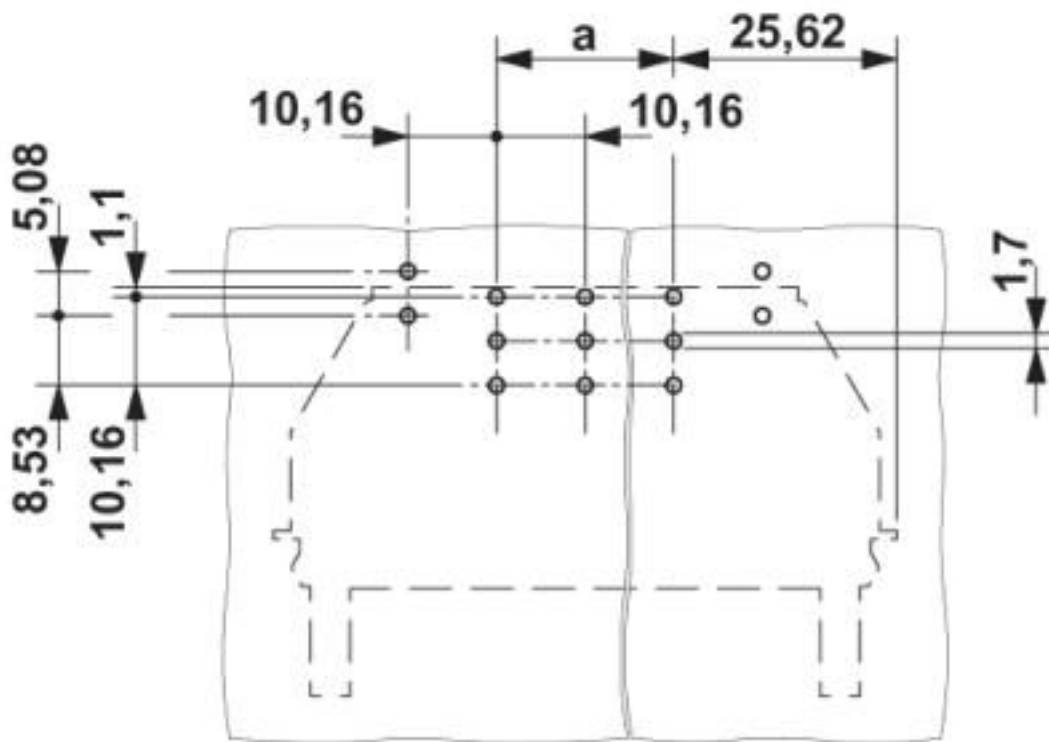
### Environmental Product Compliance

|            |   |
|------------|---|
| China RoHS | Environmentally friendly use period: unlimited = EFUP-e |
|            | No hazardous substances above threshold values          |

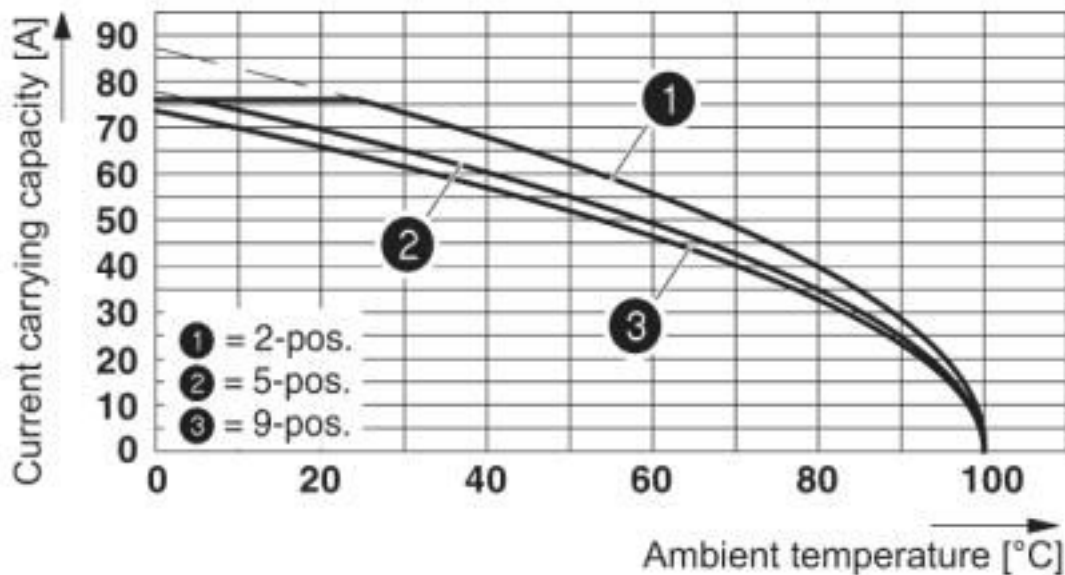
## Drawings

# Feed-through header - DFK-IPC 16/ 5-GFU-SH-10,16 - 1702921

Drilling diagram



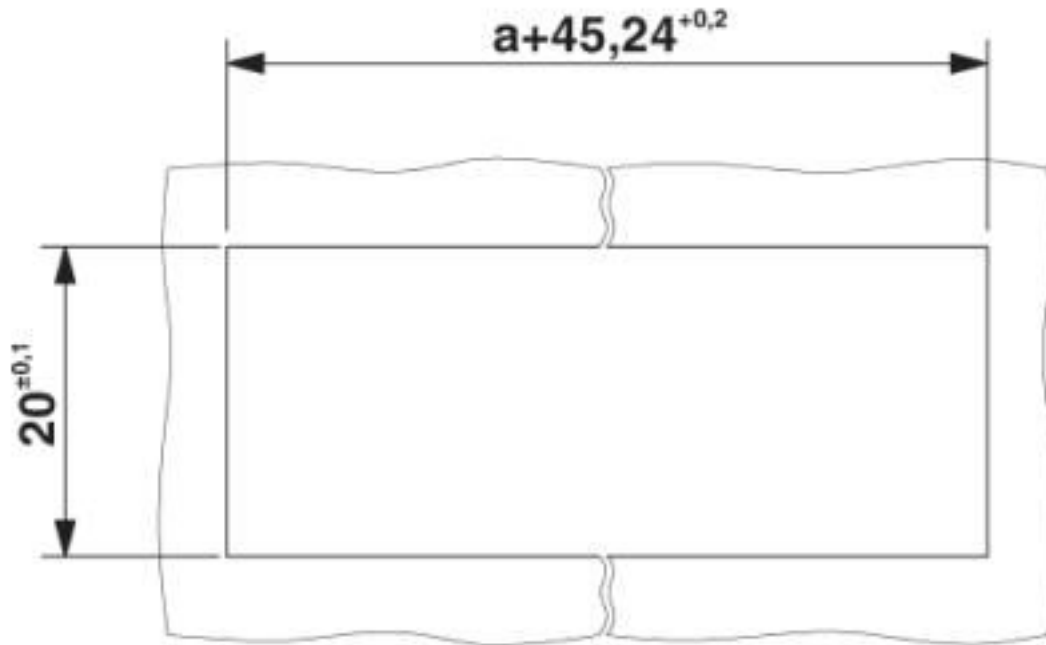
Diagram



The figure shows the derating curve for DFK-IPC 16/...-G-10,16 inverted plugs in combination with the inverted header IPC 16/...-ST-10,16.

# Feed-through header - DFK-IPC 16/ 5-GFU-SH-10,16 - 1702921

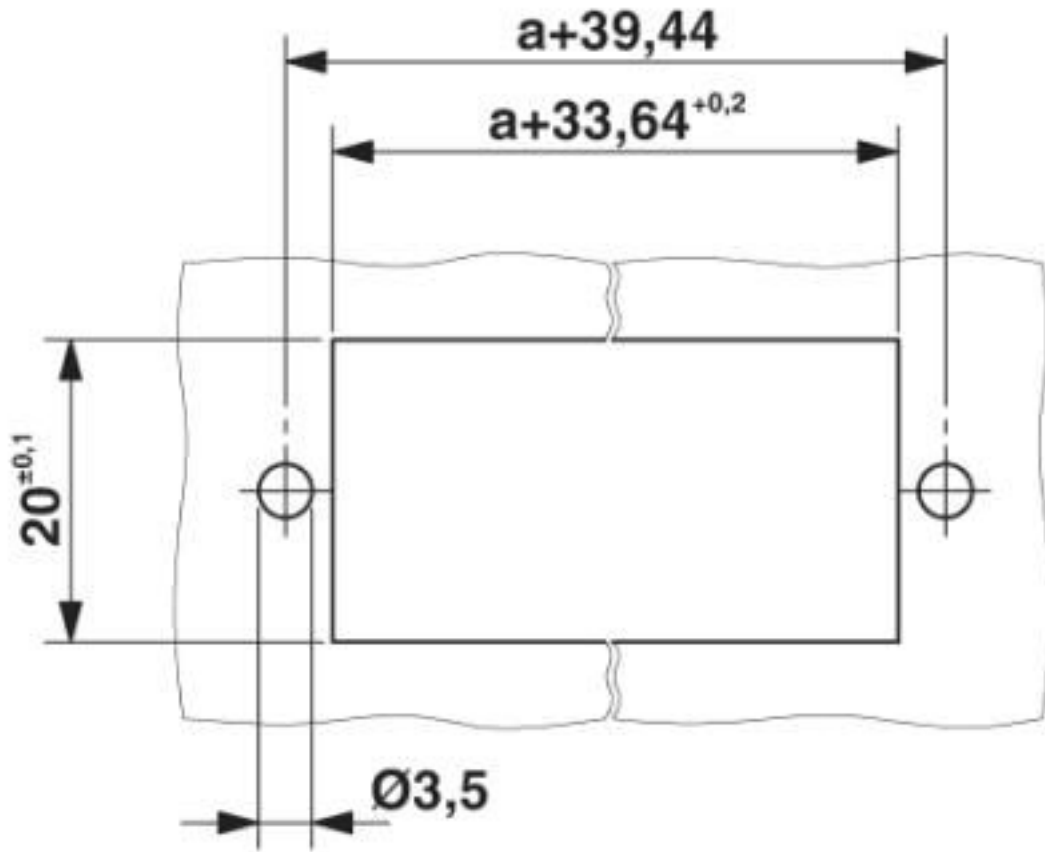
Dimensional drawing



Sheet metal cutout for snap-on.

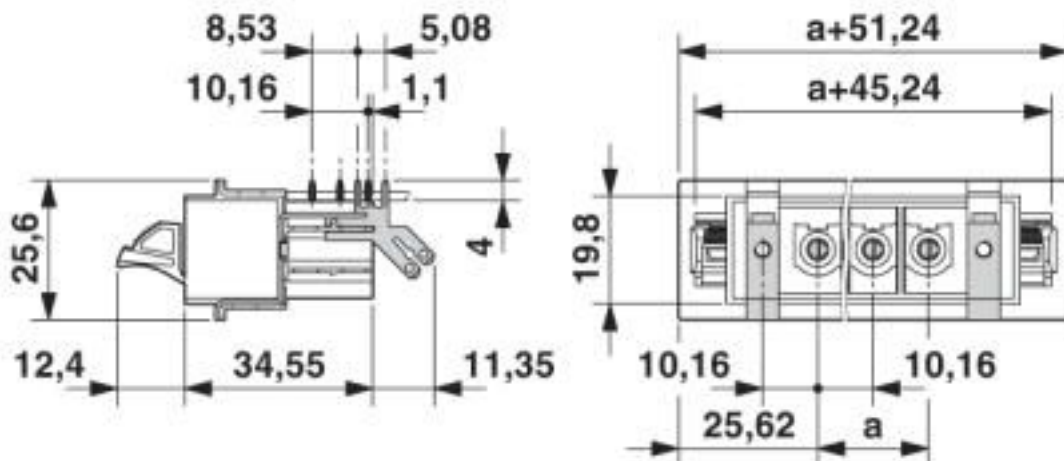
# Feed-through header - DFK-IPC 16/ 5-GFU-SH-10,16 - 1702921

Dimensional drawing



Sheet metal cutout for screw connection.

Dimensional drawing



# Feed-through header - DFK-IPC 16/ 5-GFU-SH-10,16 - 1702921

## Classifications

### eCl@ss

|               |          |
|---------------|----------|
| eCl@ss 10.0.1 | 27440402 |
| eCl@ss 4.0    | 27260700 |
| eCl@ss 4.1    | 27260700 |
| eCl@ss 5.0    | 27141100 |
| eCl@ss 5.1    | 27141100 |
| eCl@ss 6.0    | 27141100 |
| eCl@ss 7.0    | 27141134 |
| eCl@ss 8.0    | 27440402 |
| eCl@ss 9.0    | 27440402 |

### ETIM

|          |          |
|----------|----------|
| ETIM 3.0 | EC001121 |
| ETIM 4.0 | EC002637 |
| ETIM 5.0 | EC002637 |
| ETIM 6.0 | EC002637 |
| ETIM 7.0 | EC002637 |

### UNSPSC

|               |          |
|---------------|----------|
| UNSPSC 6.01   | 30211810 |
| UNSPSC 7.0901 | 39121409 |
| UNSPSC 11     | 39121409 |
| UNSPSC 12.01  | 39121409 |
| UNSPSC 13.2   | 39121410 |
| UNSPSC 18.0   | 39121409 |
| UNSPSC 19.0   | 39121409 |
| UNSPSC 20.0   | 39121409 |
| UNSPSC 21.0   | 39121409 |

## Approvals

### Approvals

---

#### Approvals

IECEE CB Scheme / SEV / EAC / cULus Recognized

---

#### Ex Approvals

---

### Approval details

# Feed-through header - DFK-IPC 16/ 5-GFU-SH-10,16 - 1702921

## Approvals

|                    |  |   |             |
|--------------------|--|---|-------------|
| IECEE CB Scheme    |  | <a href="http://www.iecee.org/">http://www.iecee.org/</a> | CH-10654-M1 |
| Nominal voltage UN |  | 1000 V  |             |
| Nominal current IN |  | 76 A  |             |

|                    |  |   |            |
|--------------------|--|---|------------|
| SEV                |  | <a href="https://www.eurofins.ch/de/">https://www.eurofins.ch/de/</a> | IK-4469-M1 |
| Nominal voltage UN |  | 1000 V  |            |
| Nominal current IN |  | 76 A  |            |

|     |  |         |  |
|-----|--|---------|--|
| EAC |  | B.01687 |  |
|-----|--|---------|--|

|                    |       |   |       |                 |
|--------------------|-------|---|-------|-----------------|
| cULus Recognized   |       | <a href="http://database.ul.com/cgi-bin/XYV/template/LISEXT/1FRAME/index.htm">http://database.ul.com/cgi-bin/XYV/template/LISEXT/1FRAME/index.htm</a> |       | E60425-20040202 |
|                    | B     | C   | D     |                 |
| Nominal voltage UN | 300 V | 300 V   | 600 V |                 |
| Nominal current IN | 55 A  | 55 A  | 5 A   |                 |

## Accessories

Accessories

Coding element

Coding profile - CP-PC RD - 1701967

Coding profile, for plugging into the coding ribs of the plug at a later date, insulating material, color: Red



## Feed-through header - DFK-IPC 16/ 5-GFU-SH-10,16 - 1702921

### Accessories

Coding element - CS-IPC 16/ 6 - 1970016



Coding pin, serves to ensure correct polarization on the PCB during manual mounting

---

### Connector set

Accessories - DFK-PC MOUNT SET - 1054021

Contains 20 pcs. latch and screw elements for feed-through connectors each

---

### Mounting material

Accessories - DFK-PC 16-SS - 1705449



Screw set for DFK-PC 16... connectors

---

### Screwdriver tools

Screwdriver - SZK PH1 VDE - 1205150



Screwdriver, PH crosshead, VDE insulated, size: PH 1 x 80 mm, 2-component grip, with non-slip grip

---

Screwdriver - SZS 0,6X2,5 VDE - 1205040



Screwdriver, slot-headed, VDE insulated, size: 0.6 x 2.5 x 80 mm, 2-component grip, with non-slip grip

---

### Additional products



## Feed-through header - DFK-IPC 16/ 5-GFU-SH-10,16 - 1702921

### Accessories

Printed-circuit board connector - IPC 16/ 5-STF-10,16 - 1969483



PCB connector, nominal current: 76 A, rated voltage (III/2): 1000 V, nominal cross section: 16 mm<sup>2</sup>, number of positions: 5, pitch: 10.16 mm, connection method: Screw connection with tension sleeve, color: green, contact surface: Silver

---

Printed-circuit board connector - ISPC 16/ 5-STF-10,16 - 1748655



PCB connector, nominal current: 76 A, rated voltage (III/2): 1000 V, nominal cross section: 16 mm<sup>2</sup>, number of positions: 5, pitch: 10.16 mm, connection method: Push-in spring connection, color: green, contact surface: Silver

---

Phoenix Contact 2020 © - all rights reserved  
<http://www.phoenixcontact.com>

PHOENIX CONTACT GmbH & Co. KG  
Flachsmarktstr. 8  
32825 Blomberg  
Germany  
Tel. +49 5235 300  
Fax +49 5235 3 41200  
<http://www.phoenixcontact.com>

## X-ON Electronics

Largest Supplier of Electrical and Electronic Components

*Click to view similar products for [Pluggable Terminal Blocks](#) category:*

*Click to view products by [Phoenix Contact](#) manufacturer:*

Other Similar products are found below :

[57.510.0053](#) [MC 1.5/ 6-ST-3.5 GY AU](#) [ET02015000J0G](#) [734-104](#) [734-302](#) [8-141-P](#) [8426620000](#) [860505](#) [860516](#) [860810](#) [GBPACX-12](#)  
[93.731.4953.0](#) [PV05-5,08-K](#) [PVP02-5,00](#) [PVP03-3,50](#) [PVP04-3,50](#) [PVS02-5,00](#) [1-1986160-3](#) [1377680000](#) [1531000000](#) [1546228-5](#)  
[ELFH16150](#) [ELFP03110](#) [ELFP10210](#) [ELFT06250](#) [ELVP03100](#) [1700101](#) [1700410](#) [1700425](#) [1702246](#) [1705229](#) [1710175](#) [1714537](#) [1717806](#)  
[1719600](#) [1728941](#) [1734692](#) [1734795](#) [1736036](#) [1740194](#) [1740291](#) [1740628](#) [1740990](#) [1746952](#) [1750207](#) [1752441](#) [1752865](#) [1754115](#)  
[1754144](#) [1756913](#)