

## Feed-through plug - DFK-PC 5/ 8-ST-7,62 - 1716564

Please be informed that the data shown in this PDF Document is generated from our Online Catalog. Please find the complete data in the user's documentation. Our General Terms of Use for Downloads are valid (<http://phoenixcontact.com/download>)

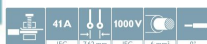


Feed-through connector, nominal current: 41 A, rated voltage (III/2): 1000 V, nominal cross section: 6 mm<sup>2</sup>, number of positions: 8, pitch: 7.62 mm, connection method: Screw connection with tension sleeve, color: green, contact surface: Tin


### Your advantages

- ✓ Well-known connection principle allows worldwide use
- ✓ Low temperature rise, thanks to maximum contact force
- ✓ Allows connection of two conductors
- ✓ Flange system enables secure fixing to the housing panel by means of tool-free snap-in locking or screws

RoHS



### Key Commercial Data

|              |   |
|--------------|---|
| Packing unit | 10 pc   |
| GTIN         | <br>4 046356 137188 |
| GTIN         | 4046356137188   |

### Technical data

#### Item properties

|                           |                                      |
|---------------------------|--------------------------------------|
| Brief article description | Feed-through plug                    |
| Plug-in system            | POWER COMBICON 5                     |
| Type of contact           | Male connector                       |
| Range of articles         | DFK-PC 5/..-ST                       |
| Pitch                     | 7.62 mm                              |
| Number of positions       | 8                                    |
| Connection method         | Screw connection with tension sleeve |
| Screw thread              | M3                                   |
| Locking                   | without                              |
| Number of levels          | 1                                    |
| Number of connections     | 8                                    |
| Number of potentials      | 8                                    |

## Feed-through plug - DFK-PC 5/ 8-ST-7,62 - 1716564

### Technical data

#### Electrical parameters

|                             |        |
|-----------------------------|--------|
| Nominal current             | 41 A   |
| Nom. voltage                | 1000 V |
| Rated voltage               | 630 V  |
| Rated voltage (III/2)       | 1000 V |
| Rated voltage (II/2)        | 1000 V |
| Rated surge voltage (III/3) | 8 kV   |
| Rated surge voltage (III/2) | 8 kV   |
| Rated surge voltage (II/2)  | 6 kV   |

#### Connection capacity

|   |  |
|---|--|
| Connection method   | Screw connection with tension sleeve         |
| pluggable   | Yes  |
| Conductor cross section solid   | 0.2 mm <sup>2</sup> ... 10 mm <sup>2</sup>   |
| Conductor cross section flexible  | 0.2 mm <sup>2</sup> ... 6 mm <sup>2</sup>    |
| Conductor cross section AWG / kcmil   | 24 ... 10                                    |
| Conductor cross section flexible, with ferrule without plastic sleeve                     | 0.25 mm <sup>2</sup> ... 6 mm <sup>2</sup>   |
| Conductor cross section, flexible, with ferrule, with plastic sleeve                      | 0.25 mm <sup>2</sup> ... 4 mm <sup>2</sup>   |
| 2 conductors with same cross section, solid   | 0.2 mm <sup>2</sup> ... 2.5 mm <sup>2</sup>  |
| 2 conductors with same cross section, flexible  | 0.2 mm <sup>2</sup> ... 4 mm <sup>2</sup>    |
| 2 conductors with same cross section, flexible, with ferrule without plastic sleeve       | 0.25 mm <sup>2</sup> ... 1.5 mm <sup>2</sup> |
| 2 conductors with the same cross section, flexible, with TWIN ferrule with plastic sleeve | 0.25 mm <sup>2</sup> ... 2.5 mm <sup>2</sup> |
| Cylindrical gauge a x b / diameter  | 3.6 mm x 3.1 mm / 3.4 mm                     |
| Stripping length  | 10 mm  |
| Torque  | 0.7 Nm ... 0.8 Nm                            |

#### Flange specifications

|                 |         |
|-----------------|---------|
| Type of locking | without |
| Mounting flange | without |

#### Material data - contact

|  |   |
|--|---|
| Note                                     | WEEE/RoHS-compliant, free of whiskers according to IEC 60068-2-82/ JEDEC JESD 201 |
| Contact material                         | Cu alloy  |
| Surface characteristics                  | hot-dip tin-plated  |
| Metal surface terminal point (top layer) | Tin (4 - 8 µm Sn)   |
| Metal surface contact area (top layer)   | Tin (4 - 8 µm Sn)   |

#### Material data - housing

|                            |              |
|----------------------------|--------------|
| Housing color              | green (6021) |
| Insulating material        | PA           |
| Insulating material group  | I            |
| CTI according to IEC 60112 | 600          |

# Feed-through plug - DFK-PC 5/ 8-ST-7,62 - 1716564

## Technical data

### Material data - housing

|   |        |
|---|--------|
| Flammability rating according to UL 94                            | V0     |
| Glow wire flammability index GWFI according to EN 60695-2-12      | 850    |
| Glow wire ignition temperature GWIT according to EN 60695-2-13    | 775    |
| Temperature for the ball pressure test according to EN 60695-10-2 | 125 °C |

### Dimensions for the product

|                             |          |
|-----------------------------|----------|
| Length [ l ]                | 48.93 mm |
| Width [ w ]                 | 86.46 mm |
| Height [ h ]                | 26.24 mm |
| Pitch                       | 7.62 mm  |
| Height (without solder pin) | 26.24 mm |

### Packaging information

|                            |                     |
|----------------------------|---------------------|
| Type of packaging          | packed in cardboard |
| Pieces per package         | 10                  |
| Denomination packing units | Pcs.                |

### Ambient conditions

|   |   |
|---|---|
| Ambient temperature (storage/transport) | -40 °C ... 70 °C                                    |
| Ambient temperature (assembly)          | -5 °C ... 100 °C                                    |
| Ambient temperature (operation)         | -40 °C ... 100 °C (dependent on the derating curve) |

### Termination and connection method

|  |   |
|--|---|
| Conductor connection test                | The stripped-off ends of the largest conductor can be completely inserted in the opening of the terminal point without using excessive force. |
| Test result                              | Test passed   |
| Test – repeated connection and release   | IEC 60999-1:1999-11   |
|  | Test passed   |
| Test for conductor damage and slackening | IEC 60999-1:1999-11   |
|  | Test passed   |

### Pull-out test

|  |   |
|--|---|
| Pull-out test  | IEC 60999-1:1999-11                     |
|  | Test passed                             |
| Conductor cross section / conductor type / tensile force | 0.2 mm <sup>2</sup> / solid / > 10 N    |
|  | 0.2 mm <sup>2</sup> / flexible / > 10 N |
|  | 6 mm <sup>2</sup> / solid / > 80 N      |

### Mechanical tests according to standard

|                                |                        |
|--------------------------------|------------------------|
| Test specification             | IEC 61984              |
| Visual inspection              | IEC 60512-1-1:2002-02  |
| Dimension check                | IEC 60512-1-2:2002-02  |
| Resistance of inscriptions     | IEC 60068-2-70:1995-12 |
| Insertion and withdrawal force | IEC 60512-13-2:2006-02 |

## Feed-through plug - DFK-PC 5/ 8-ST-7,62 - 1716564

### Technical data

#### Mechanical tests according to standard

|                                     |                        |
|-------------------------------------|------------------------|
| No. of cycles                       | 50                     |
| Insertion strength per pos. approx. | 6 N                    |
| Withdraw strength per pos. approx.  | 4 N                    |
| Polarization and coding             | IEC 60512-13-5:2006-02 |

#### Air clearances and creepage distances

|   |                     |
|---|---------------------|
| Clearances and creepage distances               | IEC 60664-1:2007-04 |
| Specification                                   | IEC 60664-1:2007-04 |
| Minimum clearance - inhomogeneous field (III/3) | 8 mm                |
| Minimum clearance - inhomogeneous field (III/2) | 8 mm                |
| Minimum clearance - inhomogeneous field (II/2)  | 5.5 mm              |
| Minimum creepage distance value (III/3)         | 8 mm                |
| Minimum creepage distance value (III/2)         | 5 mm                |
| Minimum creepage distance value (II/2)          | 5 mm                |

#### Electrical tests - Function

|               |                     |
|---------------|---------------------|
| Specification | IEC 60999-1:1999-11 |
|---------------|---------------------|

#### Temperature cycles

|                                      |                     |
|--------------------------------------|---------------------|
| Specification                        | IEC 60999-1:1999-11 |
| Test current (minimum cross section) | 5 A DC              |
| Test current (maximum cross section) | 32 A DC             |
| Temperature cycles                   | 192                 |

#### Current carrying capacity / derating curves

|                  |   |
|------------------|---|
| Caption          | Type: SPC 5/...-ST-7,62 with DFK-PC 5/...-ST-7,62 |
| Specification    | IEC 61984:2008-10                                 |
| Reduction factor | 0.8   |
| Note             | Representation based on IEC 60512-5-2:2002-02     |
|                  | For number of positions, see diagram              |

#### Mechanical tests (A)

|  |             |
|--|-------------|
| Test specification                           | IEC 61984   |
| Insertion strength per pos. approx.          | 6 N         |
| Withdraw strength per pos. approx.           | 4 N         |
| Polarization when inserted requirement >20 N | Test passed |

#### Durability tests (B)

|  |                       |
|--|-----------------------|
| Specification                          | IEC 60512-9-1:2010-03 |
| Contact resistance R <sub>1</sub>      | 0.5 mΩ                |
| Insertion/withdrawal cycles            | 50                    |
| Contact resistance R <sub>2</sub>      | 0.6 mΩ                |
| Impulse withstand voltage at sea level | 9.8 kV                |
| Power-frequency withstand voltage      | 4.26 kV               |

## Feed-through plug - DFK-PC 5/ 8-ST-7,62 - 1716564

### Technical data

#### Thermal tests (C)

|   |                       |
|---|-----------------------|
| Specification                                   | IEC 60512-5-1:2002-02 |
| Number of positions                             | 12                    |
| Conductor cross section                         | 6 mm <sup>2</sup>     |
| Test current                                    | 32 A DC               |
| Upper limiting temperature requirements <100 °C | Test passed           |

#### Climatic tests (D)

|  |   |
|--|---|
| Specification                          | ISO 6988:1985-02  |
| Cold stress                            | -40 °C/2 h  |
| Thermal stress                         | 100 °C/168 h  |
| Corrosive stress                       | 0.2 dm <sup>3</sup> SO <sub>2</sub> on 300 dm <sup>3</sup> /40 °C/1 cycle |
| Impulse withstand voltage at sea level | 9.8 kV  |
| Power-frequency withstand voltage      | 4.26 kV   |

#### Environmental and durability tests (E)

|                                       |                                     |
|---------------------------------------|-------------------------------------|
| Specification                         | IEC 61984:2008-10                   |
| Result, degree of protection, IP code | Finger safety with IP20 test finger |

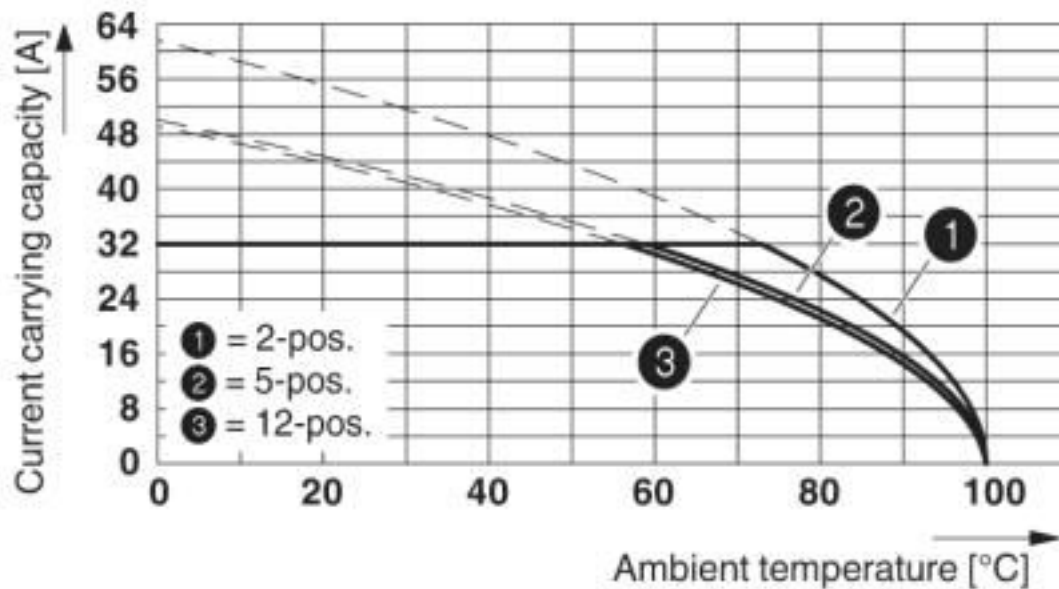
#### Environmental Product Compliance

|            |   |
|------------|---|
| REACH SVHC | Lead 7439-92-1  |
| China RoHS | Environmentally Friendly Use Period = 50 years  |
|            | For details about hazardous substances go to tab "Downloads", Category "Manufacturer's declaration" |

### Drawings

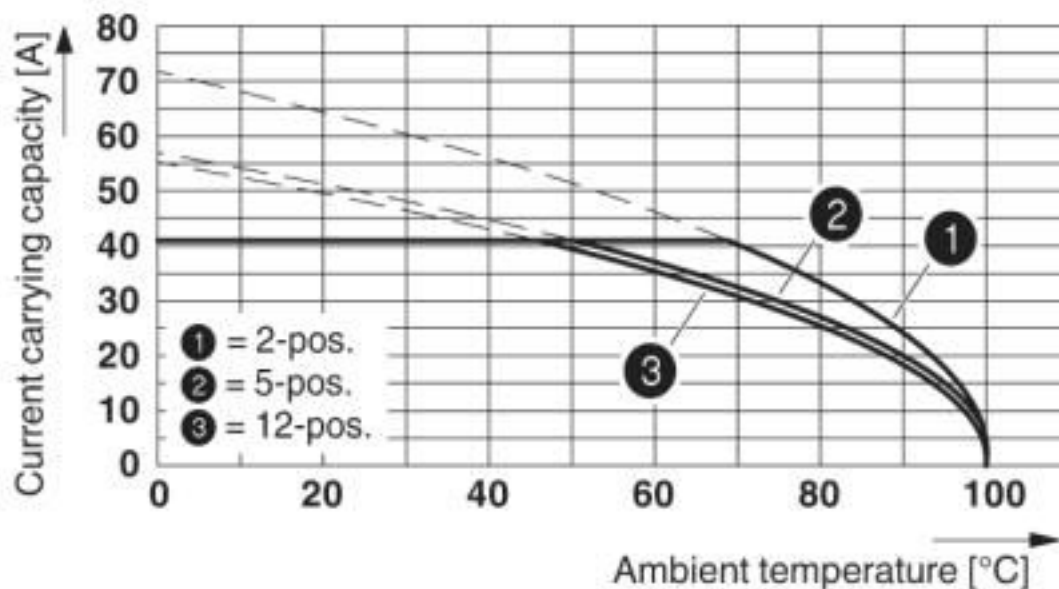
# Feed-through plug - DFK-PC 5/ 8-ST-7,62 - 1716564

Diagram



Derating curve for: DFK-PC 5/...-ST-7,62 with PC 5/...-ST-7,62  
Conductor cross section = 6 mm<sup>2</sup>

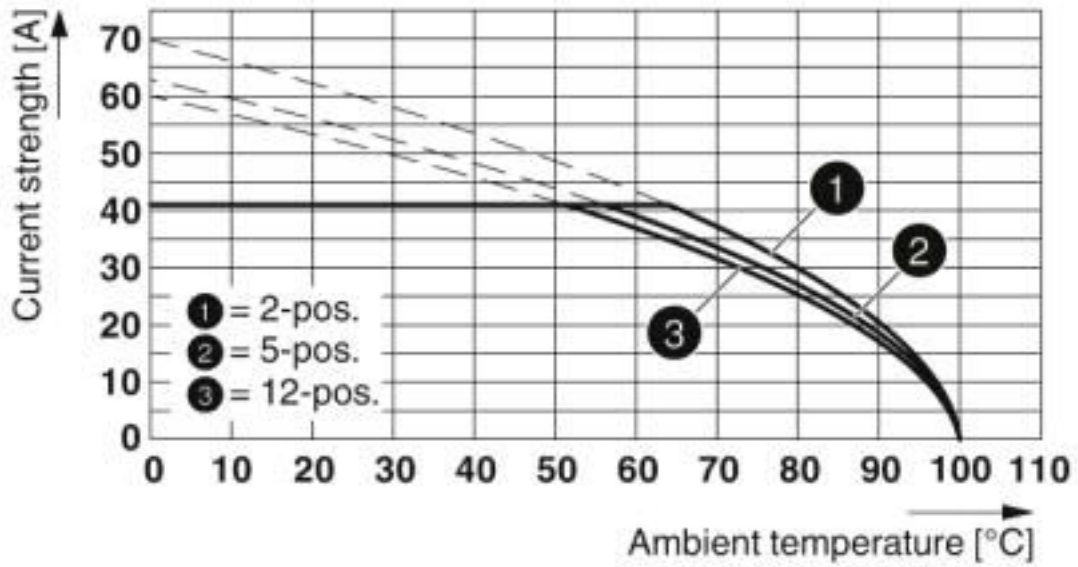
Diagram



Derating curve for: DFK-PC 5/...-ST-7,62 with PC 5/...-ST-7,62  
Conductor cross section = 10 mm<sup>2</sup>

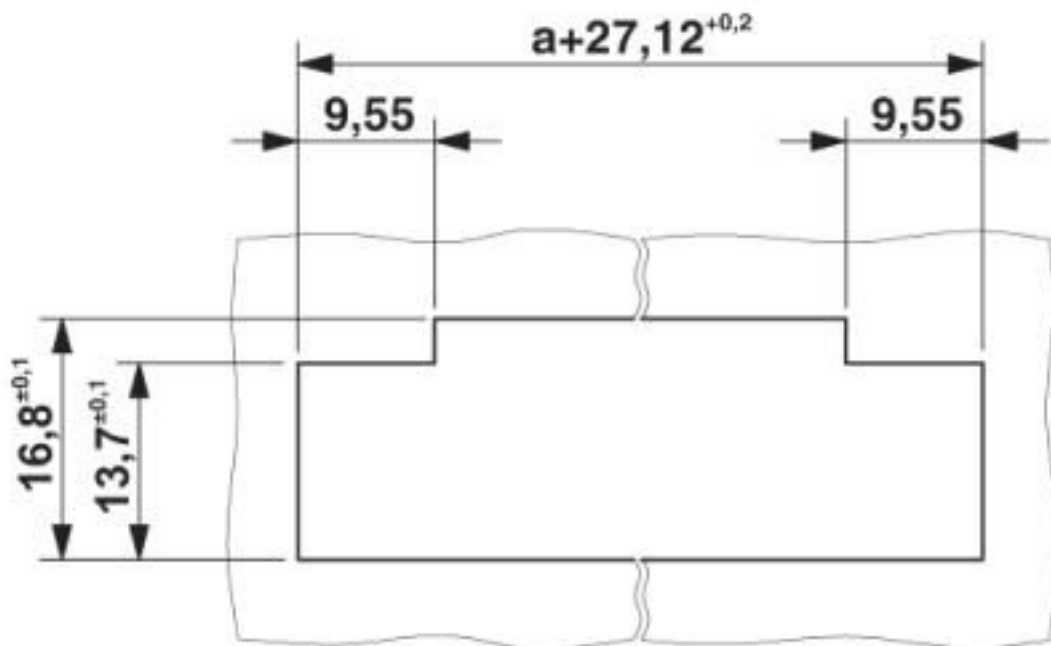
# Feed-through plug - DFK-PC 5/ 8-ST-7,62 - 1716564

Diagram



Type: SPC 5/...-ST-7,62 with DFK-PC 5/...-ST-7,62

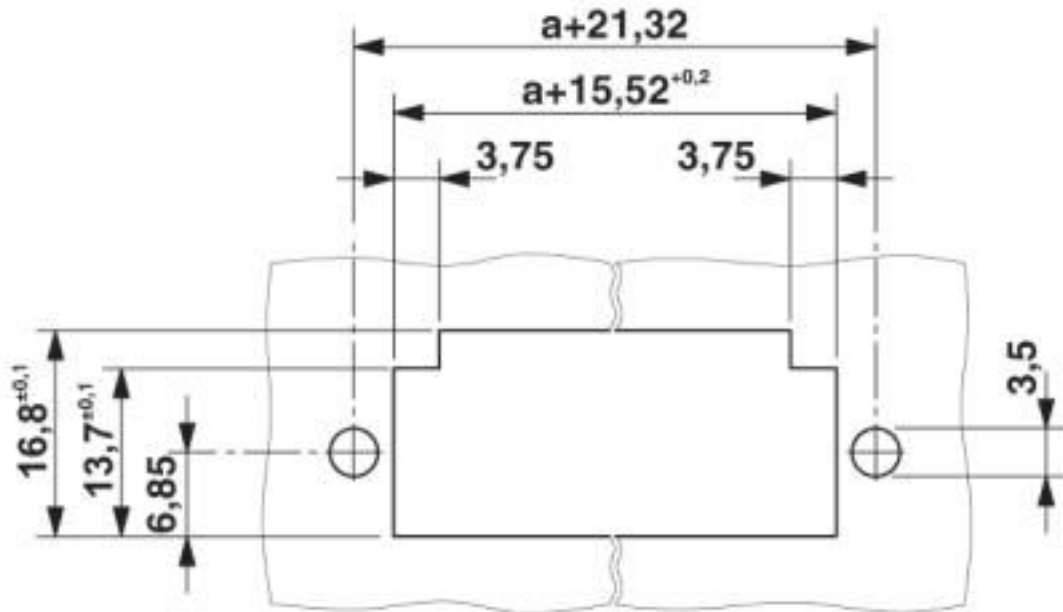
Dimensional drawing



Sheet metal cutout for snap-on.

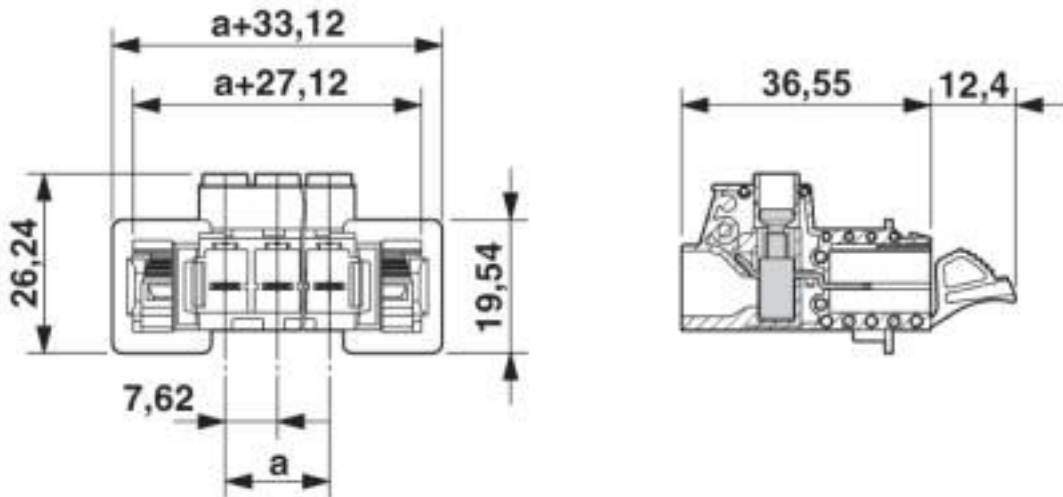
## Feed-through plug - DFK-PC 5/ 8-ST-7,62 - 1716564

Dimensional drawing



Sheet metal cutout for screw connection.

Dimensional drawing



### Classifications

eCl@ss

|               |          |
|---------------|----------|
| eCl@ss 10.0.1 | 27440309 |
| eCl@ss 4.0    | 27260700 |
| eCl@ss 4.1    | 27260700 |
| eCl@ss 5.0    | 27260700 |
| eCl@ss 5.1    | 27260700 |



# Feed-through plug - DFK-PC 5/ 8-ST-7,62 - 1716564

## Classifications

### eCl@ss

|            |          |
|------------|----------|
| eCl@ss 6.0 | 27260700 |
| eCl@ss 7.0 | 27440309 |
| eCl@ss 8.0 | 27440309 |
| eCl@ss 9.0 | 27440309 |

### ETIM

|          |          |
|----------|----------|
| ETIM 3.0 | EC001121 |
| ETIM 4.0 | EC002638 |
| ETIM 5.0 | EC002637 |
| ETIM 6.0 | EC002638 |
| ETIM 7.0 | EC002638 |

### UNSPSC

|               |          |
|---------------|----------|
| UNSPSC 6.01   | 30211810 |
| UNSPSC 7.0901 | 39121409 |
| UNSPSC 11     | 39121409 |
| UNSPSC 12.01  | 39121409 |
| UNSPSC 13.2   | 39121409 |
| UNSPSC 18.0   | 39121409 |
| UNSPSC 19.0   | 39121409 |
| UNSPSC 20.0   | 39121409 |
| UNSPSC 21.0   | 39121409 |

## Approvals

### Approvals

---

#### Approvals

EAC / cULus Recognized

---

#### Ex Approvals

---

### Approval details

|     |  |         |
|-----|--|---------|
| EAC |  | B.01687 |
|-----|--|---------|

# Feed-through plug - DFK-PC 5/ 8-ST-7,62 - 1716564

## Approvals

|                            |       |   |                 |
|----------------------------|-------|---|-----------------|
| cULus Recognized           |       | <a href="http://database.ul.com/cgi-bin/XYV/template/LISEXT/1FRAME/index.htm">http://database.ul.com/cgi-bin/XYV/template/LISEXT/1FRAME/index.htm</a> | E60425-19920722 |
|                            | B     | C   |                 |
| Nominal voltage UN         | 600 V | 600 V   |                 |
| Nominal current IN         | 41 A  | 41 A  |                 |
| mm <sup>2</sup> /AWG/kcmil | 24-8  | 24-8  |                 |

## Accessories

### Accessories

#### Coding element

Coding profile - CP-PC RD - 1701967



Coding profile, for plugging into the coding ribs of the plug at a later date, insulating material, color: Red

### Connector set

Accessories - DFK-PC MOUNT SET - 1054021

Contains 20 pcs. latch and screw elements for feed-through connectors each

### Labeled terminal marker

Marker card - SK 7,62/3,8:FORTL.ZAHLEN - 0804549



Marker card, Card, white, labeled, horizontal: consecutive numbers 1 ... 10, 11 ... 20, etc. up to 91 ... 100, mounting type: adhesive, for terminal block width: 7.62 mm, lettering field size: 7.62 x 3.8 mm

Marker card - SK 3,8 REEL P7,62 WH CUS - 0825128



Marker card, Card, can be ordered: by card, white, labeled according to customer specifications, mounting type: adhesive, for terminal block width: 7.62 mm, lettering field size: continuous x 3.8#mm

## Feed-through plug - DFK-PC 5/ 8-ST-7,62 - 1716564

### Accessories

#### Mounting material

Accessories - DFK-PC 16-SS - 1705449



Screw set for DFK-PC 16... connectors

---

#### Screwdriver tools

Philips screwdriver - SZK PZ1 VDE - 1206450



Screwdriver, PZ crosshead, VDE insulated, size: PZ 1 x 80 mm, 2-component grip, with non-slip grip

---

#### Terminal marking

Marker card - SK U/3,8 WH:UNBEDRUCKT - 0803906



Marker card, Sheet, white, unlabeled, can be labeled with: PLOTMARK, CMS-P1-PLOTTER, Office printing systems, mounting type: adhesive, for terminal block width: 210 mm, lettering field size: 186 x 3.8 mm, Number of individual labels: 1440

---

Phoenix Contact 2020 © - all rights reserved  
<http://www.phoenixcontact.com>

PHOENIX CONTACT GmbH & Co. KG  
Flachsmarktstr. 8  
32825 Blomberg  
Germany  
Tel. +49 5235 300  
Fax +49 5235 3 41200  
<http://www.phoenixcontact.com>

## X-ON Electronics

Largest Supplier of Electrical and Electronic Components

*Click to view similar products for [Pluggable Terminal Blocks](#) category:*

*Click to view products by [Phoenix Contact](#) manufacturer:*

Other Similar products are found below :

[57.510.0053](#) [MC 1.5/ 6-ST-3.5 GY AU](#) [734-104](#) [734-302](#) [8-141-P](#) [8426620000](#) [860505](#) [860810](#) [GBPACX-12](#) [93.731.4953.0](#) [PV05-5,08-K](#)  
[PVP02-5,00](#) [PVP03-3,50](#) [PVP04-3,50](#) [PVS02-5,00](#) [1-1986160-3](#) [1377680000](#) [1531000000](#) [1546228-5](#) [ELFH16150](#) [ELFP03110](#)  
[ELFP10210](#) [ELFT06250](#) [ELVP03100](#) [1700101](#) [1700410](#) [1700425](#) [1702246](#) [1705229](#) [1710175](#) [1714537](#) [1717806](#) [1719600](#) [1728941](#)  
[1734692](#) [1734795](#) [1736036](#) [1740194](#) [1740291](#) [1740628](#) [1740990](#) [1746952](#) [1750207](#) [1752441](#) [1752865](#) [1754115](#) [1754144](#) [1756913](#)  
[1760051](#) [1760336](#)