

Housing - HC-B 6-AMLD - 1771147

Please be informed that the data shown in this PDF Document is generated from our Online Catalog. Please find the complete data in the user's documentation. Our General Terms of Use for Downloads are valid (<http://phoenixcontact.com/download>)



HEAVYCON B6 panel mounting base, with single locking latch, height: 29 mm, with plastic cover, with flat gasket



Key Commercial Data

| | |
|--------------|---------------|
| Packing unit | 10 pc |
| GTIN | |
| GTIN | 4017918035884 |

Technical data

Dimensions

| | |
|-------------------------------|-------|
| Height | 29 mm |
| Width | 43 mm |
| Length | 80 mm |
| Length of the assembly cutout | 52 mm |
| Width of the assembly cutout | 35 mm |

Ambient conditions

| | |
|--------------------------------------|-------------------------------------|
| Degree of protection of housing (IP) | IP65 (When plugged in) |
| | IP54 (with closed protective cover) |
| Ambient temperature (operation) | -40 °C ... 125 °C |

General

| | |
|------------------|--|
| Note | For contact inserts HC-B6, BB10, DD24, M |
| Size | B6 |
| Housing type | Panel mounting base |
| Locking type | with single locking latch |
| Torque | 1.5 Nm ... 2 Nm (Mounting screw) |
| Screw connection | none |
| Protective cover | yes |

Housing - HC-B 6-AMLD - 1771147

Technical data

General

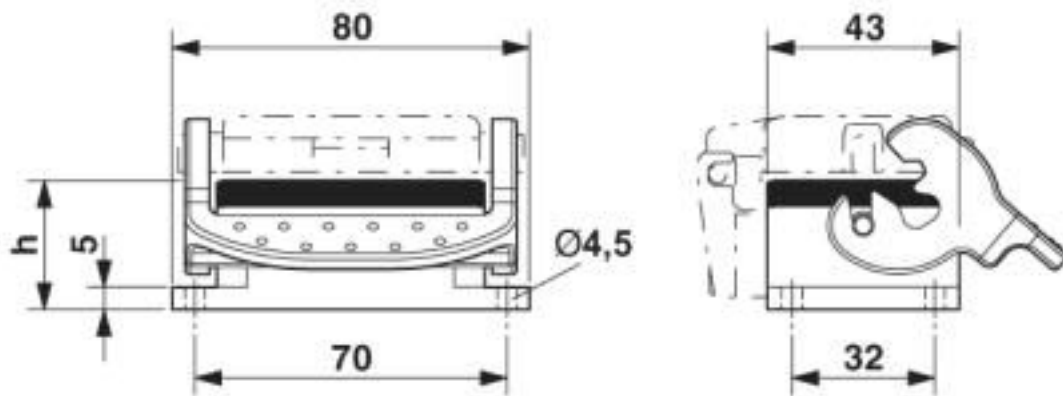
| | |
|------------------------------|-----------------------------|
| Housing material | Aluminum die-cast |
| Housing surface material | Powder-coated, gray |
| Material lock | Stainless steel, handle: PA |
| Material grip body interlock | PA |
| Material, protective cover | PA |

Environmental Product Compliance

| | |
|------------|---|
| China RoHS | Environmentally friendly use period: unlimited = EFUP-e |
| | No hazardous substances above threshold values |

Drawings

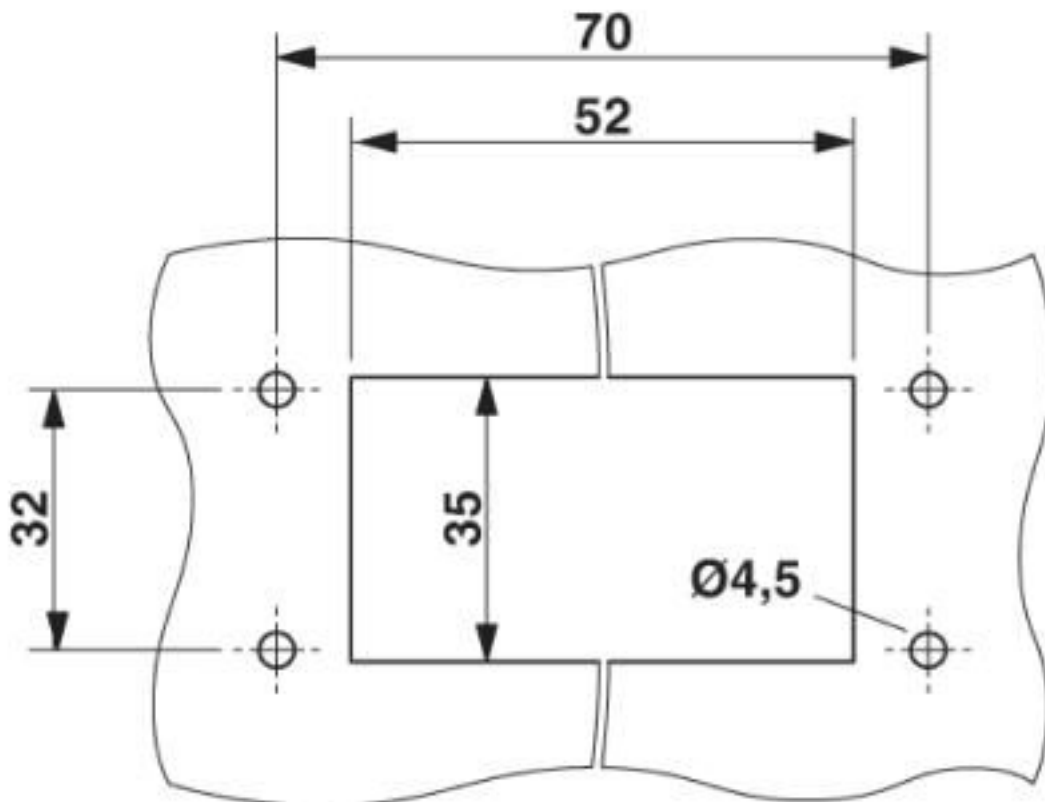
Dimensional drawing



Dimensional drawing

Housing - HC-B 6-AMLD - 1771147

Dimensional drawing



Mounting cutout

Classifications

eCl@ss

| | |
|---------------|----------|
| eCl@ss 10.0.1 | 27440202 |
| eCl@ss 4.0 | 27140800 |
| eCl@ss 4.1 | 27140800 |
| eCl@ss 5.0 | 27143400 |
| eCl@ss 5.1 | 27261200 |
| eCl@ss 6.0 | 27261200 |
| eCl@ss 7.0 | 27440202 |
| eCl@ss 8.0 | 27440202 |
| eCl@ss 9.0 | 27440202 |

ETIM

| | |
|----------|----------|
| ETIM 2.0 | EC000437 |
| ETIM 3.0 | EC000437 |
| ETIM 4.0 | EC000437 |
| ETIM 5.0 | EC000437 |

Housing - HC-B 6-AMLD - 1771147

Classifications

ETIM

| | |
|----------|----------|
| ETIM 6.0 | EC000437 |
| ETIM 7.0 | EC000437 |

UNSPSC

| | |
|---------------|----------|
| UNSPSC 6.01 | 31261502 |
| UNSPSC 7.0901 | 31261502 |
| UNSPSC 11 | 31261502 |
| UNSPSC 12.01 | 31261502 |
| UNSPSC 13.2 | 31261501 |
| UNSPSC 18.0 | 31261501 |
| UNSPSC 19.0 | 31261501 |
| UNSPSC 20.0 | 31261501 |
| UNSPSC 21.0 | 31261501 |

Approvals

Approvals

Approvals

EAC

Ex Approvals

Approval details

| | | |
|-----|--|--------------------------|
| EAC | | RU C- DE.AI30.B.01102 |
|-----|--|--------------------------|

Accessories

Accessories

Housing latches

Housing brackets - HC-B 6-LB - 1584211



Replacement plastic single locking latch for standard housings of type B6

Housing - HC-B 6-AMLD - 1771147

Accessories

Mounting material

Bearing block - HC-B/D-ERSLABO-SD-KU - 1408070

Spare bearing block for series B/D housing with plastic protective cover; consisting of bearing block, plate and two screws



Seal

Profile gasket - HC-B 6-PR-DI - 1663022



Profile gasket for type B6 supporting base element

Flat gasket - HC-B 6-FL-DI - 1663019



Replacement flange seal, for HEAVYCON panel mounting base of type B 6, self-adhesive, not for HC-....EMC housings, color: Black

Seal - HC-B 6-FL-DI-N - 1411436



Replacement flange seal, for HEAVYCON type B6 panel mounting base, latching, for panel mounting base with snapped-on flat gaskets, not for HC-....EMV housing, color: black

X-ON Electronics

Largest Supplier of Electrical and Electronic Components

Click to view similar products for [Heavy Duty Power Connectors](#) category:

Click to view products by [Phoenix Contact](#) manufacturer:

Other Similar products are found below :

[647757-1](#) [6643411-1](#) [6646058-2](#) [6646137-1](#) [6646138-1](#) [6646479-1](#) [6646608-1](#) [6646786-1](#) [6646940-1](#) [6651091-1](#) [6651525-1](#) [6651529-1](#)
[6651788-1](#) [696475-1](#) [702-32-01109](#) [703-25-02205](#) [73000005059](#) [73000005642](#) [73080965046](#) [765-15-0080A](#) [765-16-0080B](#) [765-18-0080D](#)
[829992-1](#) [902-77-02113](#) [PS00/A0620/6300](#) [129-1J](#) [1409400](#) [AN0024023](#) [E6374G1](#) [e6389g2](#) [157-43GW8](#) [MS3117-14AC](#) [1643543-1](#)
[1650540-1](#) [1651811-2](#) [1766260-1](#) [1766282-1](#) [1766966-1](#) [1791340000](#) [NLDFT-3-BL-L-S120-M40A](#) [NLDFT-N-W-L-C240-M40B](#) [NLS-2-R-](#)
[C240-M40B](#) [NLS-N-W-C240-M40B](#) [NPS-3-BL-T6](#) [1986615-1](#) [2-1589900-8](#) [2199314-1](#) [KA8102](#) [9300480317](#) [SBS50BRN#6](#)