

Housing - HC-B 10-AMLD - 1771354

Please be informed that the data shown in this PDF Document is generated from our Online Catalog. Please find the complete data in the user's documentation. Our General Terms of Use for Downloads are valid (<http://phoenixcontact.com/download>)



HEAVYCON B10 panel mounting base, with single locking latch, height: 29 mm, with plastic cover, with flat gasket



Key Commercial Data

Packing unit	10 pc
GTIN	
GTIN	4017918036089

Technical data

Dimensions

Height	29 mm
Width	43 mm
Length	93 mm
Length of the assembly cutout	65 mm
Width of the assembly cutout	35 mm

Ambient conditions

Degree of protection of housing (IP)	IP65 (When plugged in)
	IP54 (with closed protective cover)
Ambient temperature (operation)	-40 °C ... 125 °C

General

Note	For contact inserts HC-B10, BB18, DD42, M, K8/24
Size	B10
Housing type	Panel mounting base
Locking type	with single locking latch
Torque	1.5 Nm ... 2 Nm (Mounting screw)
Screw connection	none
Protective cover	yes

Housing - HC-B 10-AMLD - 1771354

Technical data

General

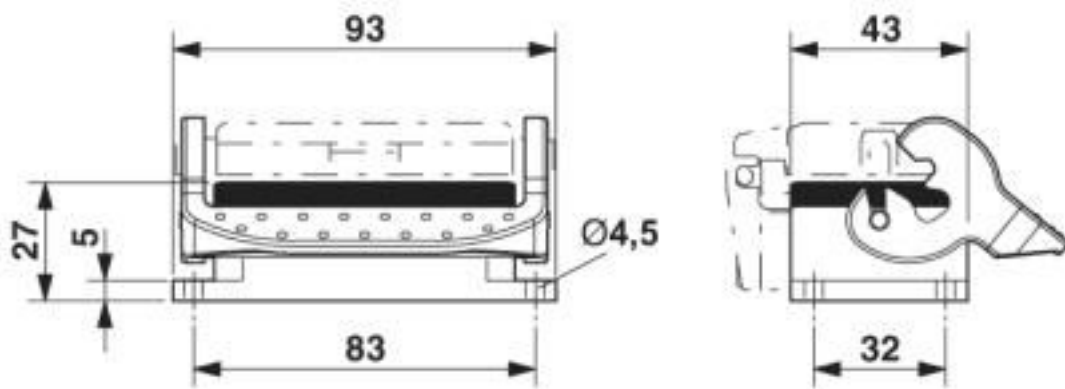
Housing material	Aluminum die-cast
Housing surface material	Powder-coated, gray
Material lock	Stainless steel, handle: PA
Material grip body interlock	PA
Material, protective cover	PA

Environmental Product Compliance

China RoHS	Environmentally friendly use period: unlimited = EFUP-e
	No hazardous substances above threshold values

Drawings

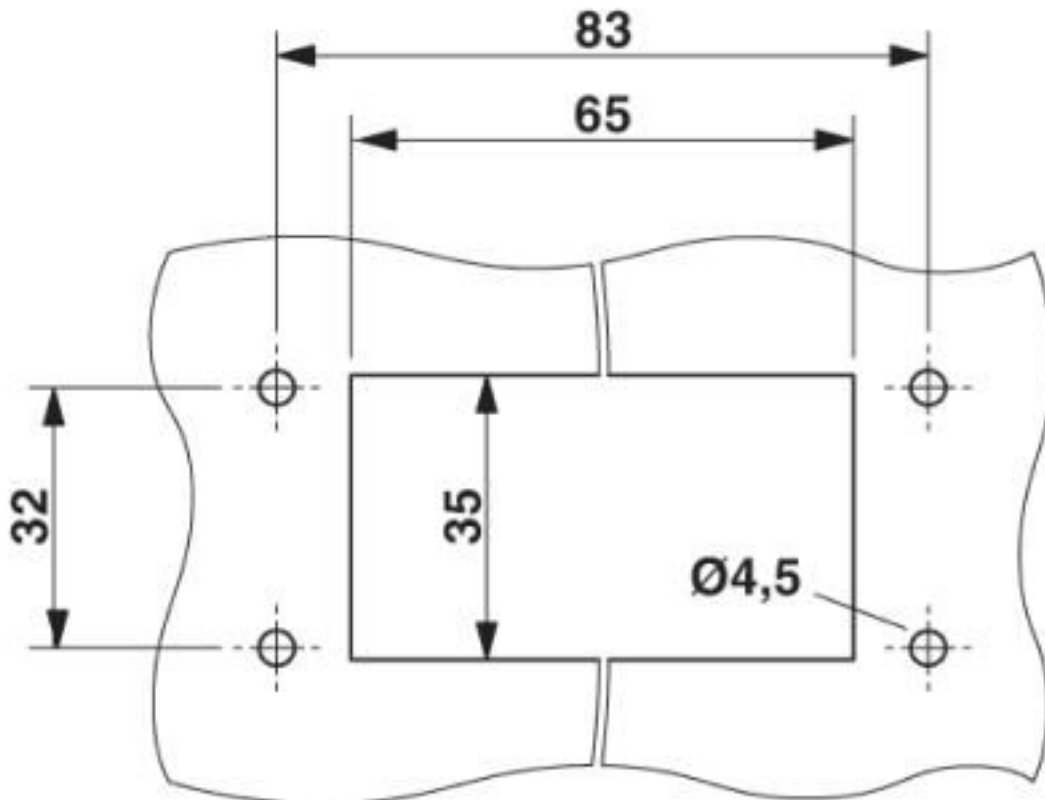
Dimensional drawing



Dimensional drawing

Housing - HC-B 10-AMLD - 1771354

Dimensional drawing



Mounting cutout

Classifications

eCl@ss

eCl@ss 10.0.1	27440202
eCl@ss 4.0	27140800
eCl@ss 4.1	27140800
eCl@ss 5.0	27143400
eCl@ss 5.1	27261200
eCl@ss 6.0	27261200
eCl@ss 7.0	27440202
eCl@ss 8.0	27440202
eCl@ss 9.0	27440202

ETIM

ETIM 2.0	EC000437
ETIM 3.0	EC000437
ETIM 4.0	EC000437
ETIM 5.0	EC000437

Housing - HC-B 10-AMLD - 1771354

Classifications

ETIM

ETIM 6.0	EC000437
ETIM 7.0	EC000437

UNSPSC

UNSPSC 6.01	31261502
UNSPSC 7.0901	31261502
UNSPSC 11	31261502
UNSPSC 12.01	31261502
UNSPSC 13.2	31261501
UNSPSC 18.0	31261501
UNSPSC 19.0	31261501
UNSPSC 20.0	31261501
UNSPSC 21.0	31261501

Approvals

Approvals

Approvals

EAC

Ex Approvals

Approval details

EAC		RU C- DE.AI30.B.01102
-----	--	--------------------------

Accessories

Accessories

Housing latches

Housing brackets - HC-B 10-LB - 1584651



Replacement plastic single locking latch for standard housings of type B10

Housing - HC-B 10-AMLD - 1771354

Accessories

Mounting material

Bearing block - HC-B/D-ERSLABO-SD-KU - 1408070

Spare bearing block for series B/D housing with plastic protective cover; consisting of bearing block, plate and two screws



Seal

Profile gasket - HC-B 10-PR-DI - 1663035



Profile gasket for type B10 supporting base element

Flat gasket - HC-B 10-FL-DI - 1662146



Replacement flange seal, for HEAVYCON panel mounting base of type: B 10, self-adhesive, not for HC-...EMC housings, color: Black

Seal - HC-B 10-FL-DI-N - 1411449



Replacement flange seal, for HEAVYCON type B10 panel mounting base, latching, for panel mounting base with snapped-on flat gaskets, not for HC-....EMV housing, color: black

X-ON Electronics

Largest Supplier of Electrical and Electronic Components

Click to view similar products for [Heavy Duty Power Connectors](#) category:

Click to view products by [Phoenix Contact](#) manufacturer:

Other Similar products are found below :

[647757-1](#) [6643411-1](#) [6646058-2](#) [6646137-1](#) [6646138-1](#) [6646479-1](#) [6646608-1](#) [6646786-1](#) [6646940-1](#) [6651091-1](#) [6651525-1](#) [6651529-1](#)
[6651788-1](#) [696475-1](#) [702-32-01109](#) [703-25-02205](#) [73000005059](#) [73000005642](#) [73080255059](#) [73080965046](#) [765-15-0080A](#) [765-16-0080B](#)
[765-18-0080D](#) [829992-1](#) [902-77-02113](#) [PS00/A0620/6300](#) [PS25/A0420/63](#) [129-1J](#) [1409400](#) [AN0024023](#) [E6374G1](#) [e6389g2](#) [157-43GW8](#)
[MS3117-14AC](#) [1643543-1](#) [1650540-1](#) [1651811-2](#) [1766260-1](#) [1766282-1](#) [1766966-1](#) [1791340000](#) [NLDFT-3-BL-L-S120-M40A](#) [NLDFT-N-](#)
[W-L-C240-M40B](#) [NLS-2-R-C240-M40B](#) [NLS-N-W-C240-M40B](#) [NPS-3-BL-T6](#) [1986615-1](#) [2-1589900-8](#) [2199314-1](#) [KA8102](#)