

Contact insert - HC-A 10-ESTS - 1773051


Please be informed that the data shown in this PDF Document is generated from our Online Catalog. Please find the complete data in the user's documentation. Our General Terms of Use for Downloads are valid (<http://phoenixcontact.com/download>)



HEAVYCON male insert, A10 series, 10-pos., screw connection



Key Commercial Data

| | |
|--------------|---|
| Packing unit | 10 pc |
| GTIN |  4 017918 134419 |
| GTIN | 4017918134419 |

Technical data

General

| | |
|---|--|
| Note | for housing HC-D15 |
| Connection method | Screw connection |
| Tightening torque | 0.5 Nm |
| Screwdriver blade | 0.5 x 3.5 mm |
| Degree of pollution | 3 |
| Overvoltage category | III |
| Number of positions | 10+PE |
| Insertion/withdrawal cycles | ≥ 500 |
| Size | D15 |
| Contact numbering | 1 - 10 |
| Conductor cross section | 0.5 mm ² ... 2.5 mm ² (applies to stranded conductors with ferrules) |
| Connection cross section AWG | 20 ... 14 |
| Stripping length of the individual wire | 7 mm |
| Assembly instructions | Connectors may be operated only when there is no load/voltage. |

Ambient conditions

| | |
|---------------------------------|--|
| Ambient temperature (operation) | -40 °C ... 125 °C (including heating up of contacts) |
|---------------------------------|--|

Material data

Contact insert - HC-A 10-ESTS - 1773051

Technical data

Material data

| | |
|--------------------------|--------------|
| Contact material | Copper alloy |
| Contact surface material | Ag |
| Contact carrier material | PA |

Electrical characteristics

| | |
|-----------------------|-------|
| Rated voltage (III/3) | 250 V |
| Rated surge voltage | 4 kV |
| Rated current | 16 A |

Standards and Regulations

| | |
|--|----------------------------|
| Connection in acc. with standard | CSA |
| Constructional and testing regulations | DIN VDE 0627/86 |
| | DIN VDE 0110/02.79 |
| | DIN VDE 0110-1/04.97 |
| | IEC 60664-1, DIN IEC 60512 |
| | IEC 60352 |
| Flammability rating according to UL 94 | V0 |

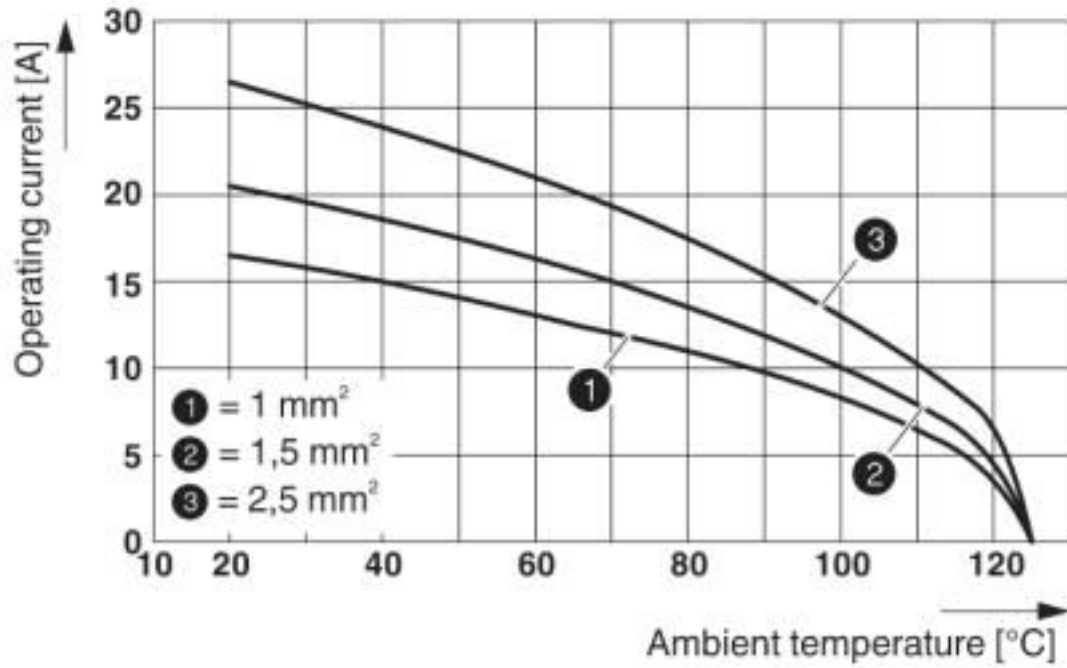
Environmental Product Compliance

| | |
|------------|---|
| China RoHS | Environmentally friendly use period: unlimited = EFUP-e |
| | No hazardous substances above threshold values |

Drawings

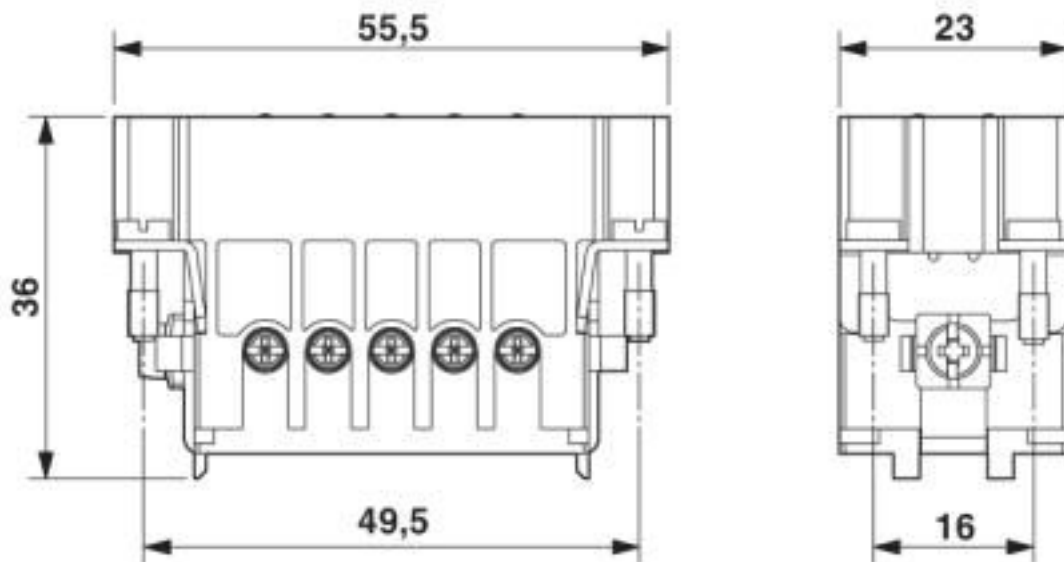
Contact insert - HC-A 10-ESTS - 1773051

Diagram



Derating diagram: Series HC-A 10...S

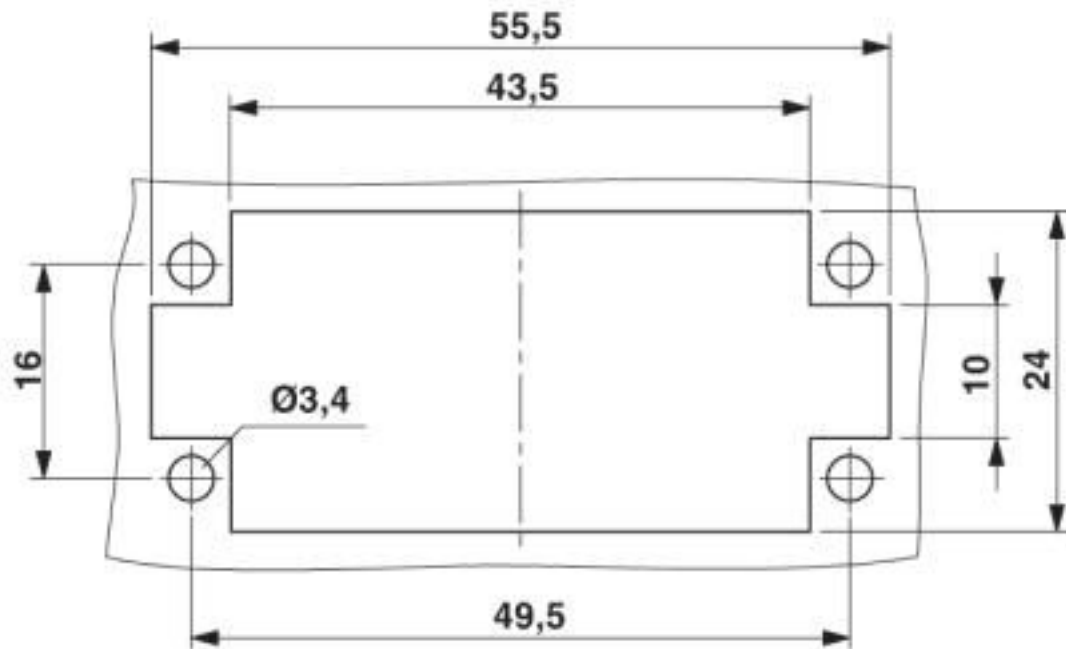
Dimensional drawing



Male insert

Contact insert - HC-A 10-ESTS - 1773051

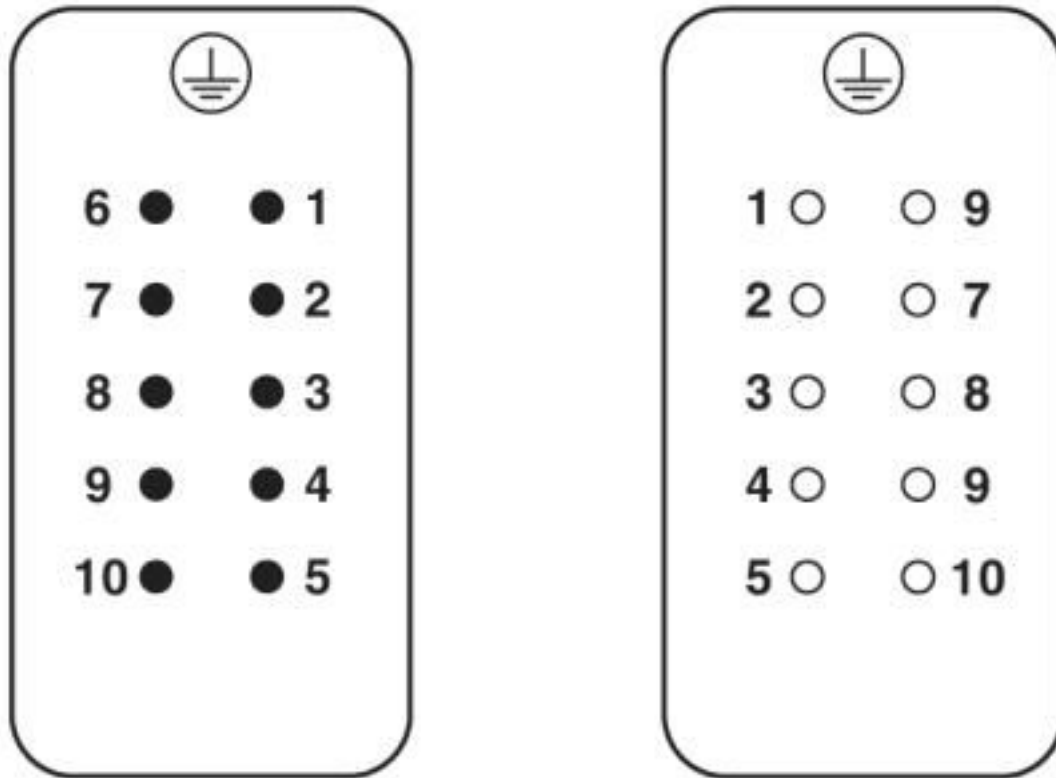
Dimensional drawing



Mounting cutout

Contact insert - HC-A 10-ESTS - 1773051

Schematic diagram



Connector pin assignment, connection side

Classifications

eCl@ss

| | |
|------------|----------|
| eCl@ss 4.0 | 27140816 |
| eCl@ss 4.1 | 27140816 |
| eCl@ss 5.0 | 27143424 |
| eCl@ss 5.1 | 27261200 |
| eCl@ss 6.0 | 27261200 |
| eCl@ss 7.0 | 27440205 |
| eCl@ss 8.0 | 27440205 |
| eCl@ss 9.0 | 27440205 |

ETIM

| | |
|----------|----------|
| ETIM 2.0 | EC000438 |
| ETIM 3.0 | EC000438 |
| ETIM 4.0 | EC000438 |
| ETIM 5.0 | EC000438 |
| ETIM 6.0 | EC000438 |

Contact insert - HC-A 10-ESTS - 1773051

Classifications

UNSPSC

| | |
|---------------|----------|
| UNSPSC 6.01 | 30211923 |
| UNSPSC 7.0901 | 39121522 |
| UNSPSC 11 | 39121522 |
| UNSPSC 12.01 | 39121522 |
| UNSPSC 13.2 | 39121522 |
| UNSPSC 19.0 | 39121522 |

Accessories

Accessories

Coding element

Coding element - HC-CST - 1676857



Coding peg for coding up to 16 connectors

Coding element - HC-CBU - 1676860



Coding socket for coding up to 16 connectors

Coding bolt - HC-CB - 1772722



Coding pin, prevents mismatching of up to six connectors with an identical number of positions

DIN rail mounting frame

DIN rail mounting frame - HC-SMR-D15 - 1604010



HEAVYCON DIN rail mounting frame, for contact inserts of type D15

Contact insert - HC-A 10-ESTS - 1773051

Accessories

Mounting material

Screw - HC-A-PES - 1584868



PE screw for contact inserts of A series

Phoenix Contact 2020 © - all rights reserved
<http://www.phoenixcontact.com>

PHOENIX CONTACT GmbH & Co. KG
Flachsmarktstr. 8
32825 Blomberg
Germany
Tel. +49 5235 300
Fax +49 5235 3 41200
<http://www.phoenixcontact.com>

X-ON Electronics

Largest Supplier of Electrical and Electronic Components

Click to view similar products for [Heavy Duty Power Connectors](#) category:

Click to view products by [Phoenix Contact](#) manufacturer:

Other Similar products are found below :

[647757-1](#) [6643411-1](#) [6646058-2](#) [6646137-1](#) [6646138-1](#) [6646479-1](#) [6646608-1](#) [6646786-1](#) [6646940-1](#) [6651091-1](#) [6651525-1](#) [6651529-1](#)
[6651788-1](#) [696475-1](#) [702-32-01109](#) [703-25-02205](#) [73000005059](#) [73000005642](#) [765-15-0080A](#) [765-16-0080B](#) [765-18-0080D](#) [829992-1](#)
[902-77-02113](#) [PS00/A0620/6300](#) [129-1J](#) [1409400](#) [AN0024023](#) [E6374G1](#) [e6389g2](#) [157-43GW8](#) [MS3117-14AC](#) [1643543-1](#) [1650540-1](#)
[1651811-2](#) [1766260-1](#) [1766282-1](#) [1766966-1](#) [1791340000](#) [NLDFT-3-BL-L-S120-M40A](#) [NLDFT-N-W-L-C240-M40B](#) [NLS-2-R-C240-](#)
[M40B](#) [NLS-N-W-C240-M40B](#) [NPS-3-BL-T6](#) [1986615-1](#) [2-1589900-8](#) [2199314-1](#) [KA8102](#) [9300480317](#) [SBS50BRN#6](#) [29131](#)