

Housing - HC-B 32-AMQ - 1775693


Please be informed that the data shown in this PDF Document is generated from our Online Catalog. Please find the complete data in the user's documentation. Our General Terms of Use for Downloads are valid (<http://phoenixcontact.com/download>)



HEAVYCON panel mounting base B32, with double locking latch, height 30 mm, with flat gasket



Key Commercial Data

| | |
|--------------|---|
| Packing unit | 10 pc |
| GTIN |  4 017918 038267 |
| GTIN | 4017918038267 |

Technical data

Dimensions

| | |
|-------------------------------|--------|
| Height | 31 mm |
| Width | 78 mm |
| Length | 122 mm |
| Length of the assembly cutout | 84 mm |
| Width of the assembly cutout | 70 mm |

Ambient conditions

| | |
|--------------------------------------|-------------------|
| Degree of protection of housing (IP) | IP65 |
| Ambient temperature (operation) | -40 °C ... 125 °C |

General

| | |
|--------------------------|--------------------------------------|
| Note | For contact inserts HC-B32, DD144, M |
| Size | B32 |
| Housing type | Panel mounting base |
| Color | gray |
| Locking type | with double locking latch |
| Screw connection | none |
| Housing material | Aluminum die-cast |
| Housing surface material | Powder-coated, gray |

Housing - HC-B 32-AMQ - 1775693

Technical data

General

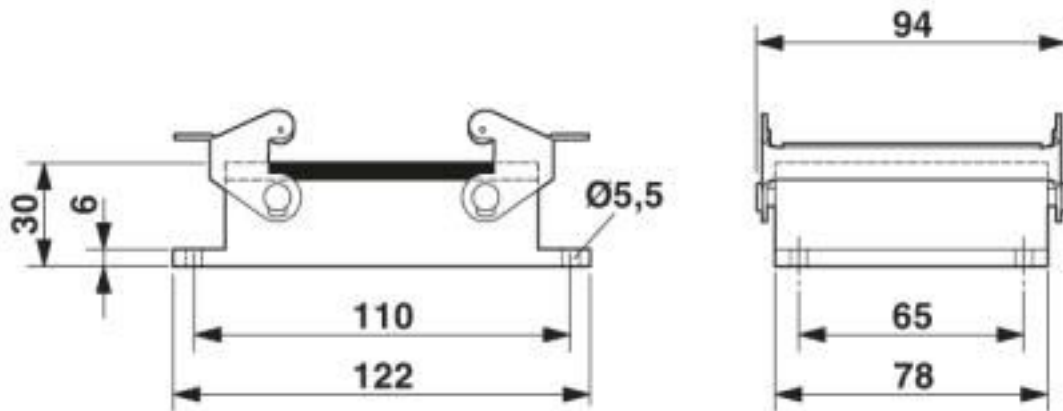
| | |
|---------------|-------------------|
| Seal material | NBR |
| Material lock | Steel, galvanized |

Environmental Product Compliance

| | |
|------------|---|
| China RoHS | Environmentally friendly use period: unlimited = EFUP-e |
| | No hazardous substances above threshold values |

Drawings

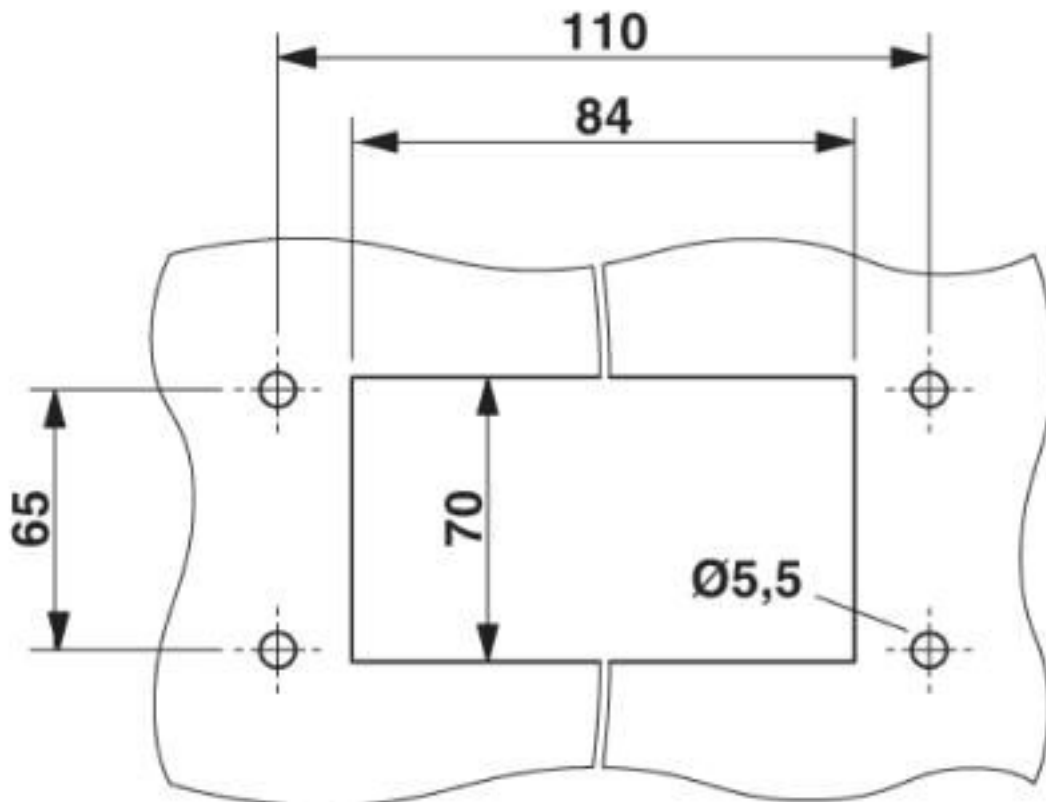
Dimensional drawing



Dimensional drawing

Housing - HC-B 32-AMQ - 1775693

Dimensional drawing



Mounting cutout

Classifications

eCl@ss

| | |
|---------------|----------|
| eCl@ss 10.0.1 | 27440202 |
| eCl@ss 4.0 | 27140800 |
| eCl@ss 4.1 | 27140800 |
| eCl@ss 5.0 | 27143400 |
| eCl@ss 5.1 | 27261200 |
| eCl@ss 6.0 | 27261200 |
| eCl@ss 7.0 | 27440202 |
| eCl@ss 8.0 | 27440202 |
| eCl@ss 9.0 | 27440202 |

ETIM

| | |
|----------|----------|
| ETIM 2.0 | EC000437 |
| ETIM 3.0 | EC000437 |
| ETIM 4.0 | EC000437 |
| ETIM 5.0 | EC000437 |

Housing - HC-B 32-AMQ - 1775693

Classifications

ETIM

| | |
|----------|----------|
| ETIM 6.0 | EC000437 |
| ETIM 7.0 | EC000437 |

UNSPSC

| | |
|---------------|----------|
| UNSPSC 6.01 | 31261502 |
| UNSPSC 7.0901 | 31261502 |
| UNSPSC 11 | 31261502 |
| UNSPSC 12.01 | 31261502 |
| UNSPSC 13.2 | 31261501 |
| UNSPSC 18.0 | 31261501 |
| UNSPSC 19.0 | 31261501 |
| UNSPSC 20.0 | 31261501 |
| UNSPSC 21.0 | 31261501 |

Approvals


Approvals

Approvals

EAC

Ex Approvals

Approval details

| | | |
|-----|---|--------------------------|
| EAC |  | RU C- DE.AI30.B.01102 |
|-----|---|--------------------------|

Phoenix Contact 2020 © - all rights reserved
<http://www.phoenixcontact.com>

PHOENIX CONTACT GmbH & Co. KG
Flachsmarktstr. 8
32825 Blomberg
Germany
Tel. +49 5235 300
Fax +49 5235 3 41200
<http://www.phoenixcontact.com>

X-ON Electronics

Largest Supplier of Electrical and Electronic Components

Click to view similar products for [Heavy Duty Power Connectors](#) category:

Click to view products by [Phoenix Contact](#) manufacturer:

Other Similar products are found below :

[647757-1](#) [6643411-1](#) [6646058-2](#) [6646137-1](#) [6646138-1](#) [6646479-1](#) [6646608-1](#) [6646786-1](#) [6646940-1](#) [6651091-1](#) [6651525-1](#) [6651529-1](#)
[6651788-1](#) [696475-1](#) [702-32-01109](#) [703-25-02205](#) [73000005059](#) [73000005642](#) [73080255059](#) [73080965046](#) [765-15-0080A](#) [765-16-0080B](#)
[765-18-0080D](#) [829992-1](#) [902-77-02113](#) [PS00/A0620/6300](#) [PS25/A0420/63](#) [129-1J](#) [1409400](#) [AN0024023](#) [E6374G1](#) [e6389g2](#) [157-43GW8](#)
[MS3117-14AC](#) [1643543-1](#) [1650540-1](#) [1651811-2](#) [1766260-1](#) [1766282-1](#) [1766966-1](#) [1791340000](#) [NLDFT-3-BL-L-S120-M40A](#) [NLDFT-N-](#)
[W-L-C240-M40B](#) [NLS-2-R-C240-M40B](#) [NLS-N-W-C240-M40B](#) [NPS-3-BL-T6](#) [1986615-1](#) [2-1589900-8](#) [2199314-1](#) [KA8102](#)