

Plug - PTPM 0,4/ 6-P-2,5 - 1780545

Please be informed that the data shown in this PDF Document is generated from our Online Catalog. Please find the complete data in the user's documentation. Our General Terms of Use for Downloads are valid (<http://phoenixcontact.com/download>)



PCB connector, number of positions: 6, pitch: 2.5 mm, color: black, contact surface: Tin

Your advantages

- ✓ Can be plugged into THR and SMD base strips
- ✓ Spring-cage and pierce contact technology
- ✓ Miniature plug with 2.5 mm pitch



Key Commercial Data

Packing unit	1 pc
Weight per Piece (excluding packing)	2.800 g
Custom tariff number	85366990
Country of origin	United States

Technical data

Dimensions

Pitch	2.5 mm
Dimension a	12.5 mm

General

Range of articles	PTPM 0,4/..-P
Number of positions	6
Connection method	IDC fast connection
Insulating material group	III
Rated surge voltage (III/3)	2.5 kV
Rated surge voltage (III/2)	2.5 kV
Rated surge voltage (II/2)	2.5 kV

Plug - PTPM 0,4/ 6-P-2,5 - 1780545

Technical data

General

Rated voltage (III/3)	32 V
Rated voltage (III/2)	125 V
Rated voltage (II/2)	125 V
Connection in acc. with standard	EN-VDE
Nominal current I_N	4 A
Nominal cross section	0.34 mm ²
Maximum load current	4 A
Insulating material	PA/PC
Flammability rating according to UL 94	V0/V2

Connection data

Conductor cross section flexible min.	0.25 mm ²
Conductor cross section flexible max.	0.34 mm ²
Conductor cross section AWG min.	24
Conductor cross section AWG max.	22
Minimum AWG according to UL/CUL	24
Maximum AWG according to UL/CUL	22
Wire diameter incl. insulation	1.6 mm (Terminal block is tested with PVC insulation - other insulation materials available on request)

Standards and Regulations

Connection in acc. with standard	EN-VDE
	CUL
Flammability rating according to UL 94	V0/V2

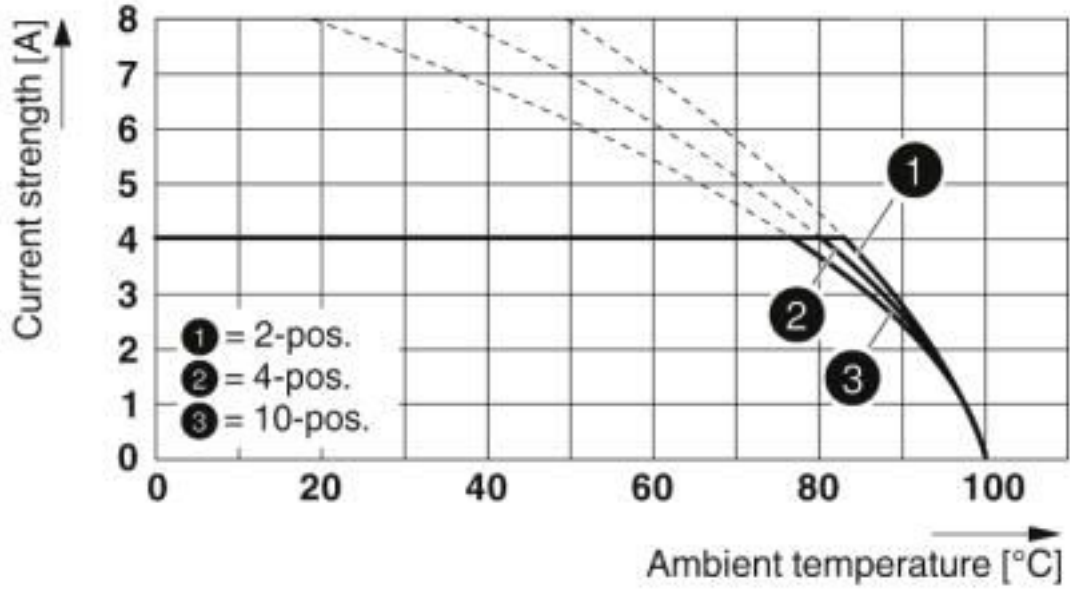
Environmental Product Compliance

China RoHS	Environmentally friendly use period: unlimited = EFUP-e
	No hazardous substances above threshold values

Drawings

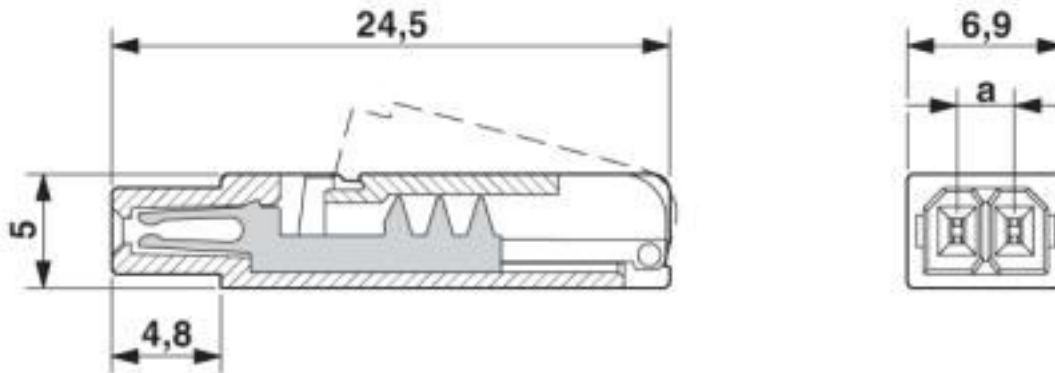
Plug - PTPM 0,4/ 6-P-2,5 - 1780545

Diagram



Derating curve for: PTPM 0,4/...-P-2,5 with PTSM 0,5/...-HH-2,5-THR R..

Dimensional drawing



Classifications

eCl@ss

eCl@ss 4.0	272607xx
eCl@ss 4.1	27260701
eCl@ss 5.0	27260701
eCl@ss 5.1	27260701
eCl@ss 6.0	27260704

Plug - PTPM 0,4/ 6-P-2,5 - 1780545

Classifications

eCl@ss

eCl@ss 7.0	27440402
eCl@ss 8.0	27440309
eCl@ss 9.0	27440309

ETIM

ETIM 3.0	EC001121
ETIM 4.0	EC002638
ETIM 5.0	EC002638

UNSPSC

UNSPSC 6.01	30211810
UNSPSC 7.0901	39121409
UNSPSC 11	39121409
UNSPSC 12.01	39121409
UNSPSC 13.2	39121409

Accessories

Additional products

Printed-circuit board connector - PTSM 0,5/ 6-HV-2,5-THR R32 - 1778599



PCB headers, nominal current: 6 A, rated voltage (III/2): 160 V, nominal cross section: 0.5 mm², number of positions: 6, pitch: 2.5 mm, color: black, contact surface: Tin, mounting: THR soldering, pin layout: Linear pinning, solder pin [P]: 2 mm

Feed-through header - PTSM 0,5/ 6-HH-2,5-THR R32 - 1778667



PCB headers, nominal current: 6 A, rated voltage (III/2): 160 V, nominal cross section: 0.5 mm², number of positions: 6, pitch: 2.5 mm, color: black, contact surface: Tin, mounting: THR soldering, pin layout: Linear pinning, solder pin [P]: 2.1 mm

Plug - PTPM 0,4/ 6-P-2,5 - 1780545

Accessories

Feed-through header - PTSM 0,5/ 6-HH-2,5-SMD R44 - 1778803



PCB headers, nominal current: 6 A, rated voltage (III/2): 160 V, nominal cross section: 0.5 mm², number of positions: 6, pitch: 2.5 mm, color: black, contact surface: Tin, mounting: SMD soldering, pin layout: Linear pad geometry, Article with anti-rotation pin

X-ON Electronics

Largest Supplier of Electrical and Electronic Components

Click to view similar products for [Pluggable Terminal Blocks](#) category:

Click to view products by [Phoenix Contact](#) manufacturer:

Other Similar products are found below :

[57.404.7553](#) [57.504.0053.7](#) [57.510.0053](#) [57.910.6153](#) [01.112.1453](#) [CTB932VE/6](#) [MC 1.5/ 6-ST-3.5 GY AU](#) [ET02015000J0G](#) [734-104](#) [734-302](#) [734-304](#) [8-141-P](#) [FKCT 2.5/ 3-ST KMGY](#) [860505](#) [860508](#) [860516](#) [860810](#) [861908](#) [GBPACX-12](#) [93.731.4953.0](#) [PV05-5,08-K](#) [PVP02-5,00](#) [PVP04-3,50](#) [PVS02-5,00](#) [1-1986160-3](#) [H-10](#) [ELFH09150](#) [ELFH16150](#) [ELFP03110](#) [ELFT06250](#) [ELFT07250](#) [ELVF09400](#) [ELVP03100](#) [ELXH03100](#) [ELXH071G0E](#) [ELXP041G0](#) [ELXT046G0](#) [1700101](#) [1700410](#) [1700425](#) [1703176](#) [1705229](#) [1710175](#) [1714537](#) [1717806](#) [1719600](#) [1729386](#) [1734692](#) [1734795](#) [1736036](#)