

## Cable housing - KGS-MSTB 2,5/ 8 - 1783779

Please be informed that the data shown in this PDF Document is generated from our Online Catalog. Please find the complete data in the user's documentation. Our General Terms of Use for Downloads are valid (<http://phoenixcontact.com/download>)



Cable housing, pitch: 0 mm, number of positions: 8, dimension a: 40 mm, color: green



### Key Commercial Data

Packing unit	10 pc
GTIN	
GTIN	4017918041960

### Technical data

#### Dimensions

Width [ w ]	19.8 mm
Height [ h ]	55.8 mm
Pitch	0.00 mm
Dimension a	40 mm

#### General

Range of articles	KGS-MSTB 2,5
Number of positions	8
Insulating material group	I
Insulating material	ABS
Flammability rating according to UL 94	HB

#### Standards and Regulations

Flammability rating according to UL 94	HB
--	----

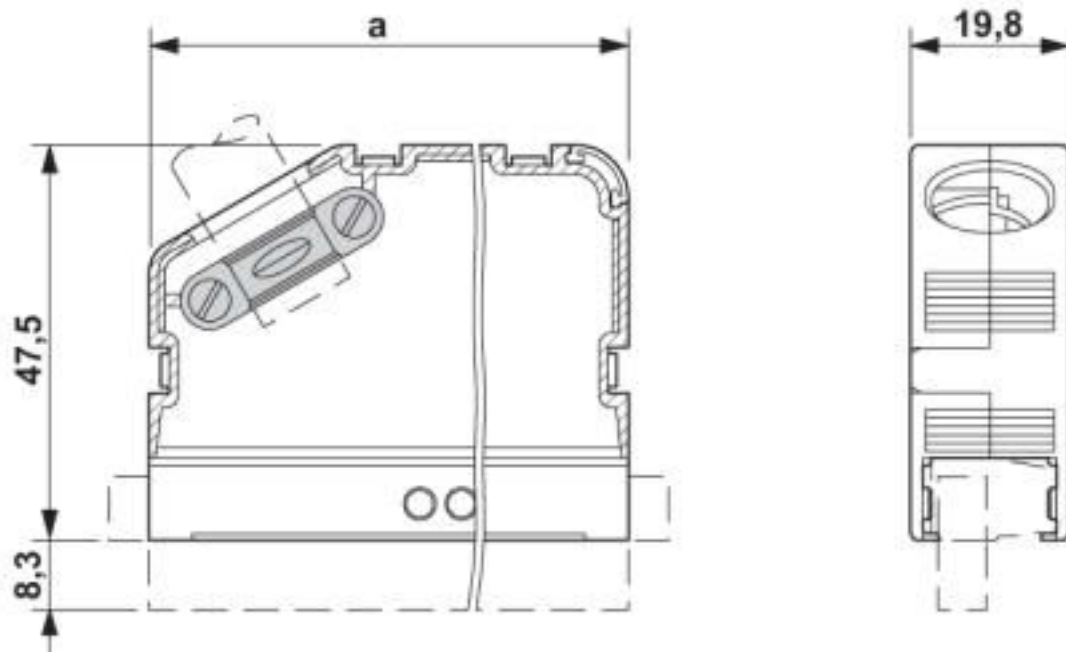
#### Environmental Product Compliance

China RoHS	Environmentally friendly use period: unlimited = EFUP-e
	No hazardous substances above threshold values

# Cable housing - KGS-MSTB 2,5/ 8 - 1783779

## Drawings

Dimensional drawing



## Classifications

### eCl@ss

eCl@ss 10.0.1	27440392
eCl@ss 4.0	27260700
eCl@ss 4.1	27260700
eCl@ss 5.0	27260700
eCl@ss 5.1	27261200
eCl@ss 6.0	27261200
eCl@ss 7.0	27440202
eCl@ss 8.0	27440390
eCl@ss 9.0	27440392

### ETIM

ETIM 3.0	EC001121
ETIM 4.0	EC000437
ETIM 5.0	EC000437
ETIM 6.0	EC000437
ETIM 7.0	EC000437

### UNSPSC

UNSPSC 6.01	30211810
UNSPSC 7.0901	39121409

# Cable housing - KGS-MSTB 2,5/ 8 - 1783779

## Classifications

### UNSPSC

UNSPSC 11	39121409
UNSPSC 12.01	39121409
UNSPSC 13.2	31261501
UNSPSC 18.0	31261501
UNSPSC 19.0	31261501
UNSPSC 20.0	31261501
UNSPSC 21.0	31261501

## Approvals

### Approvals

---

Approvals

EAC

---

Ex Approvals

---

### Approval details

EAC		B.01687
-----	--	---------

## Accessories

### Accessories

#### Cable housing

Cable housing - KGS-MSTB 2,5/ DST - 1784914



Transparent label carrier, can be marked with marker strips SBS 2.5/7.5

## Terminal marking

## Cable housing - KGS-MSTB 2,5/ 8 - 1783779

### Accessories

Marker for terminal blocks - SBS 2,5/7,5 - 1007604



Marker for terminal blocks, Card, white, unlabeled, can be labeled with: Marker pen, perforated, mounting type: snap into tall marker groove, snap into flat marker groove, for terminal block width: 7.5 mm, lettering field size: 15 x 7.5 mm, Number of individual labels: 10

---

Accessories - KD-KGS-MSTB - 1804658



Molded cable strain relief, suitable for KGS-... cable housings, prevents the cable from being bent

---

Phoenix Contact 2020 © - all rights reserved  
<http://www.phoenixcontact.com>

PHOENIX CONTACT GmbH & Co. KG  
Flachsmarktstr. 8  
32825 Blomberg  
Germany  
Tel. +49 5235 300  
Fax +49 5235 3 41200  
<http://www.phoenixcontact.com>

## X-ON Electronics

Largest Supplier of Electrical and Electronic Components

*Click to view similar products for [Terminal Block Tools & Accessories](#) category:*

*Click to view products by [Phoenix Contact](#) manufacturer:*

Other Similar products are found below :

[00171430102](#) [00171420102](#) [600HL](#) [600RJ-07](#) [600RJ-11](#) [600RJ-14](#) [600RJS-10](#) [600RJS-12](#) [600RJS-15](#) [600RJS-21](#) [601RJ-09](#) [602SP](#) [602Z](#)  
[604J](#) [CSTSPC1-2](#) [7B941-7](#) [88943-2100](#) [QC102](#) [1437403-6](#) [1437403-9](#) [1437403-8](#) [1453128-1](#) [147832-1](#) [EC0037-000](#) [MT2/H--](#) [MT6/H-N](#)  
[MT6/V-GRND](#) [MT8/H-51-60](#) [BC2-12](#) [BCC-1-8/10](#) [EP2.5/4UN/BG](#) [1707755](#) [1735590](#) [1755480](#) [1789281](#) [1840227](#) [1840230](#) [2-1437402-1](#)  
[JA2-03](#) [JB1-03/J](#) [JB2-04](#) [JB2-05](#) [JB2-07](#) [JB2-09/J](#) [PARALLELJUMPERLINK](#) [JS601](#) [2204082](#) [2302463](#) [2305949](#) [8PCV-BUSHING](#)