

## PCB terminal block - FFKDS/H-3,81 - 1789650

Please be informed that the data shown in this PDF Document is generated from our Online Catalog. Please find the complete data in the user's documentation. Our General Terms of Use for Downloads are valid (<http://phoenixcontact.com/download>)



PCB terminal block, nominal current: 12 A, rated voltage (III/2): 160 V, nominal cross section: 1 mm<sup>2</sup>, pitch: 3.81 mm, number of positions: 1, connection method: Push-in spring connection, mounting: Wave soldering, conductor/PCB connection direction: 0 °, color: green, Pin layout: Linear pinning, Solder pin [P]: 3.4 mm. Single module for the custom grouping of different numbers of positions. An end terminal block is also needed to terminate the block (see accessories). Blocked items with different numbers of positions are also available.


The figure shows a 1-pos. version of the product

### Your advantages

- Time saving push-in connection, tools not required
- Defined contact force ensures that contact remains stable over the long term
- Intuitive use through colour coded actuation lever
- Operation and conductor connection from one direction enable integration into front of device
- Two solder pins reduce the mechanical strain on the soldering spots
- The latching on the side enables various numbers of positions to be combined



### Key Commercial Data

|              |   |
|--------------|---|
| Packing unit | 100 pc  |
| GTIN         | <br>4 017918 044121 |
| GTIN         | 4017918044121   |

### Technical data

#### Item properties

|                           |                           |
|---------------------------|---------------------------|
| Brief article description | PCB terminal block        |
| Range of articles         | FFKDS(A) 1,5/..-H         |
| Pitch                     | 3.81 mm                   |
| Number of positions       | 1                         |
| Connection method         | Push-in spring connection |
| Mounting type             | Wave soldering            |
| Pin layout                | Linear pinning            |
| Number of levels          | 1                         |
| Number of connections     | 1                         |

# PCB terminal block - FFKDS/H-3,81 - 1789650

## Technical data

### Item properties

|                      |   |
|----------------------|---|
| Number of potentials | 1 |
|----------------------|---|

### Electrical parameters

|                             |        |
|-----------------------------|--------|
| Nominal current             | 12 A   |
| Nom. voltage                | 160 V  |
| Rated voltage               | 160 V  |
| Rated voltage (III/2)       | 160 V  |
| Rated voltage (II/2)        | 320 V  |
| Rated surge voltage (III/3) | 2.5 kV |
| Rated surge voltage (III/2) | 2.5 kV |
| Rated surge voltage (II/2)  | 2.5 kV |

### Connection capacity

|   |   |
|---|---|
| Connection method   | Push-in spring connection                     |
| pluggable   | Yes   |
| Conductor cross section solid   | 0.14 mm <sup>2</sup> ... 1 mm <sup>2</sup>    |
| Conductor cross section flexible                                      | 0.14 mm <sup>2</sup> ... 1 mm <sup>2</sup>    |
| Conductor cross section AWG / kcmil                                   | 26 ... 18                                     |
| Conductor cross section flexible, with ferrule without plastic sleeve | 0.25 mm <sup>2</sup> ... 0.34 mm <sup>2</sup> |
| Conductor cross section, flexible, with ferrule, with plastic sleeve  | 0.25 mm <sup>2</sup> ... 0.34 mm <sup>2</sup> |
| Stripping length  | 10 mm   |

### Material data - contact

|   |   |
|---|---|
| Note  | WEEE/RoHS-compliant, free of whiskers according to IEC 60068-2-82/ JEDEC JESD 201 |
| Contact material                            | Cu alloy  |
| Metal surface terminal point (top layer)    | Tin (5 - 7 µm Sn)   |
| Metal surface terminal point (middle layer) | Nickel (2 - 3 µm Ni)  |
| Metal surface soldering area (top layer)    | Tin (5 - 7 µm Sn)   |
| Metal surface soldering area (middle layer) | Nickel (2 - 3 µm Ni)  |

### Material data - housing

|   |              |
|---|--------------|
| Housing color   | green (6021) |
| Insulating material   | PA           |
| Insulating material group   | I            |
| CTI according to IEC 60112  | 600          |
| Flammability rating according to UL 94                            | V0           |
| Glow wire flammability index GWFI according to EN 60695-2-12      | 850          |
| Glow wire ignition temperature GWIT according to EN 60695-2-13    | 775          |
| Temperature for the ball pressure test according to EN 60695-10-2 | 125 °C       |

### Dimensions for the product

|              |          |
|--------------|----------|
| Length [ l ] | 13.65 mm |
| Width [ w ]  | 3.81 mm  |

## PCB terminal block - FFKDS/H-3,81 - 1789650

### Technical data

#### Dimensions for the product

|                             |            |
|-----------------------------|------------|
| Height [ h ]                | 16.1 mm    |
| Pitch                       | 3.81 mm    |
| Height (without solder pin) | 12.7 mm    |
| Solder pin [P]              | 3.4 mm     |
| Pin spacing                 | 5.08 mm    |
| Pin dimensions              | 0.5 x 1 mm |

#### Dimensions for PCB design

|               |         |
|---------------|---------|
| Hole diameter | 1.3 mm  |
| Pin spacing   | 5.08 mm |

#### Packaging information

|                            |                     |
|----------------------------|---------------------|
| Type of packaging          | packed in cardboard |
| Pieces per package         | 100                 |
| Denomination packing units | Pcs.                |

#### Electrical tests

|                             |                   |
|-----------------------------|-------------------|
| Rated current               | 12 A              |
| Conductor cross section     | 1 mm <sup>2</sup> |
| Rated voltage (III/2)       | 160 V             |
| Rated surge voltage (III/2) | 2.5 kV            |

#### Standards and Regulations

|  |        |
|--|--------|
| Connection in acc. with standard       | EN-VDE |
|  | CSA    |
| Flammability rating according to UL 94 | V0     |

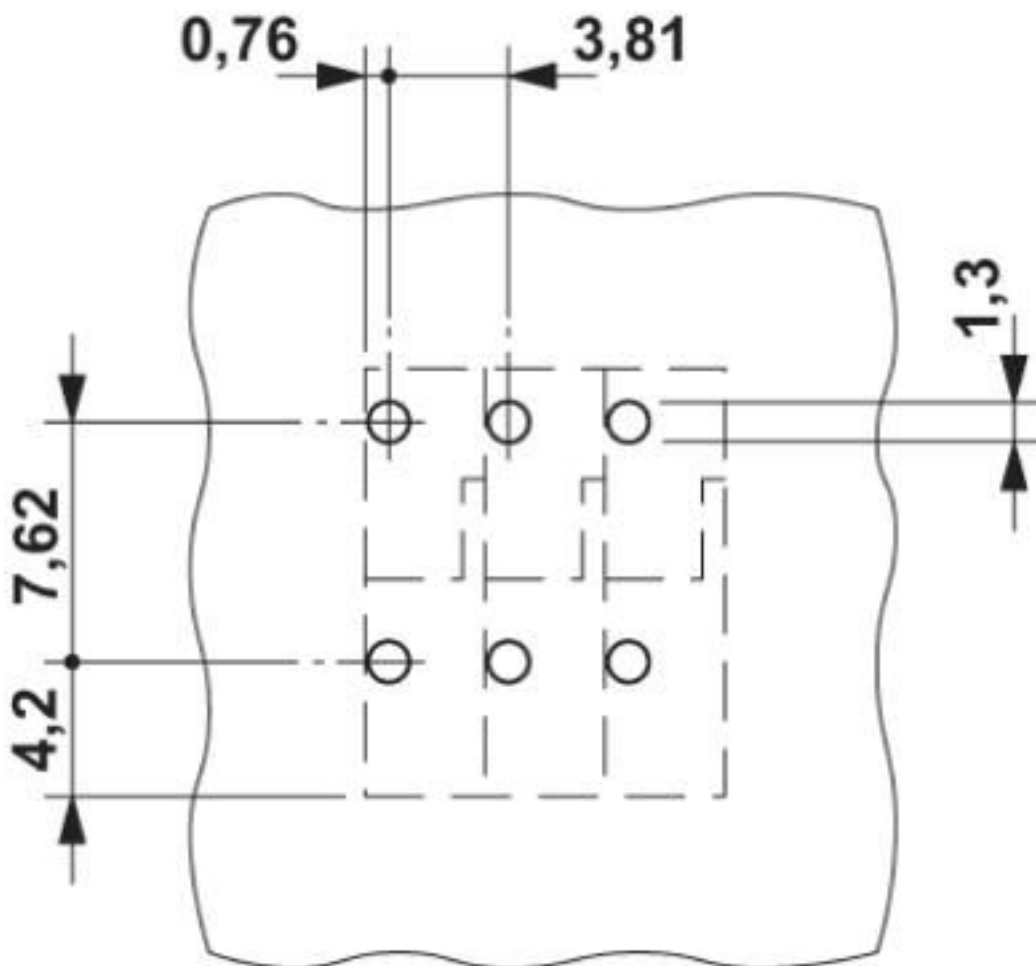
#### Environmental Product Compliance

|            |   |
|------------|---|
| China RoHS | Environmentally friendly use period: unlimited = EFUP-e |
|            | No hazardous substances above threshold values          |

### Drawings

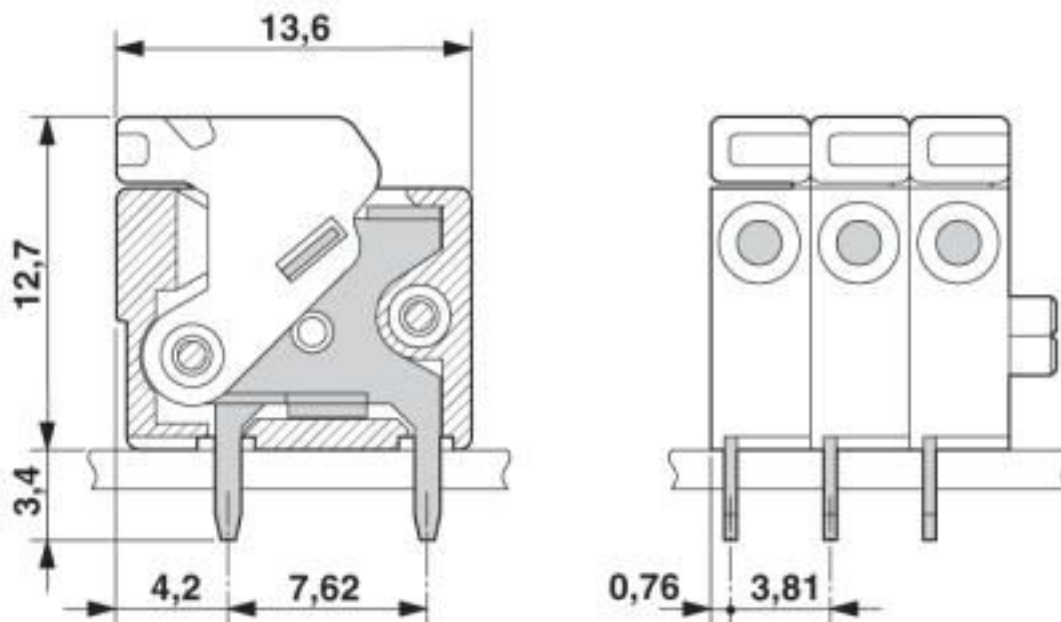
# PCB terminal block - FFKDS/H-3,81 - 1789650

Drilling diagram



# PCB terminal block - FFKDS/H-3,81 - 1789650

Dimensional drawing



## Classifications

### eCl@ss

|               |          |
|---------------|----------|
| eCl@ss 10.0.1 | 27440401 |
| eCl@ss 4.0    | 27141100 |
| eCl@ss 4.1    | 27141100 |
| eCl@ss 5.0    | 27141100 |
| eCl@ss 5.1    | 27261100 |
| eCl@ss 6.0    | 27261100 |
| eCl@ss 7.0    | 27440401 |
| eCl@ss 8.0    | 27440401 |
| eCl@ss 9.0    | 27440401 |

### ETIM

|          |          |
|----------|----------|
| ETIM 3.0 | EC001121 |
| ETIM 4.0 | EC002643 |
| ETIM 5.0 | EC002643 |
| ETIM 6.0 | EC002643 |
| ETIM 7.0 | EC002643 |

### UNSPSC

|               |          |
|---------------|----------|
| UNSPSC 6.01   | 30211801 |
| UNSPSC 7.0901 | 39121432 |
| UNSPSC 11     | 39121432 |
| UNSPSC 12.01  | 39121432 |

# PCB terminal block - FFKDS/H-3,81 - 1789650

## Classifications

### UNSPSC

|             |          |
|-------------|----------|
| UNSPSC 13.2 | 39121432 |
| UNSPSC 18.0 | 39121432 |
| UNSPSC 19.0 | 39121432 |
| UNSPSC 20.0 | 39121432 |
| UNSPSC 21.0 | 39121432 |

## Approvals


### Approvals

#### Approvals


CSA / CCA / KEMA-KEUR / IEC60947-5-1 / EAC / cULus Recognized

#### Ex Approvals

### Approval details

|                            |   |   |       |
|----------------------------|---|---|-------|
| CSA                        |  | <a href="http://www.csagroup.org/services-industries/product-listing/">http://www.csagroup.org/services-industries/product-listing/</a> | 13631 |
|                            |   | B   |       |
| Nominal voltage UN         |   |   | 150 V |
| Nominal current IN         |   |   | 10 A  |
| mm <sup>2</sup> /AWG/kcmil |   |   | 26-18 |

|                            |  |  |             |
|----------------------------|--|--|-------------|
| CCA                        |  |  | NTR NL-7074 |
|                            |  |  |             |
| Nominal voltage UN         |  |  | 130 V       |
| mm <sup>2</sup> /AWG/kcmil |  |  | 1           |

|                            |   |   |            |
|----------------------------|---|---|------------|
| KEMA-KEUR                  |  | <a href="http://www.dekra-certification.com">http://www.dekra-certification.com</a> | 2160724.01 |
|                            |   |   |            |
| Nominal voltage UN         |   |   | 130 V      |
| mm <sup>2</sup> /AWG/kcmil |   |   | 1          |

# PCB terminal block - FFKDS/H-3,81 - 1789650

## Approvals

|                            |                     |   |          |
|----------------------------|---------------------|---|----------|
| IECEE CB Scheme            | <b>CB</b><br>scheme | <a href="http://www.iecee.org/">http://www.iecee.org/</a> | NL-25836 |
| Nominal voltage UN         |                     | 130 V   |          |
| mm <sup>2</sup> /AWG/kcmil |                     | 1   |          |

|     |            |         |
|-----|------------|---------|
| EAC | <b>EAC</b> | B.01687 |
|-----|------------|---------|

|                            |              |   |                 |
|----------------------------|--------------|---|-----------------|
| cULus Recognized           | <b>cULus</b> | <a href="http://database.ul.com/cgi-bin/XYV/template/LISEXT/1FRAME/index.htm">http://database.ul.com/cgi-bin/XYV/template/LISEXT/1FRAME/index.htm</a> | E60425-19870330 |
|                            | B            | D   |                 |
| Nominal voltage UN         | 300 V        | 300 V   |                 |
| Nominal current IN         | 6 A          | 6 A   |                 |
| mm <sup>2</sup> /AWG/kcmil | 26-16        | 26-16   |                 |

## Accessories

### Accessories

#### Labeled terminal marker

Marker card - SK 3,81/2,8:FORTL.ZAHLEN - 0804109



Marker card, Card, white, labeled, horizontal: consecutive numbers 1 ... 10, 11 ... 20, etc. up to 91 ... (99)100, mounting type: adhesive, for terminal block width: 3.81 mm, lettering field size: 3.81 x 2.8 mm

## Necessary add-on products

PCB terminal block - FFKDSA1/H-6,35 - 1789634



PCB terminal block, nominal current: 12 A, rated voltage (III/2): 160 V, nominal cross section: 1 mm<sup>2</sup>, pitch: 3.81 mm, number of positions: 1, connection method: Push-in spring connection, mounting: Wave soldering, conductor/PCB connection direction: 0 °, color: green, Pin layout: Linear pinning, Solder pin [P]: 3.4 mm. End terminal block for terminating custom-grouped blocks.

Phoenix Contact 2020 © - all rights reserved  
<http://www.phoenixcontact.com>

PHOENIX CONTACT GmbH & Co. KG  
Flachsmarktstr. 8  
32825 Blomberg  
Germany  
Tel. +49 5235 300  
Fax +49 5235 3 41200  
<http://www.phoenixcontact.com>



## X-ON Electronics

Largest Supplier of Electrical and Electronic Components

*Click to view similar products for [Fixed Terminal Blocks](#) category:*

*Click to view products by [Phoenix Contact](#) manufacturer:*

Other Similar products are found below :

[MBE-1512](#) [MBE-154](#) [MBE-156](#) [MBES-153](#) [MBES-156](#) [MH-2512](#) [MHE-132](#) [MHE-163](#) [MI-254 \(35\)](#) [MI-272](#) [880507](#) [MPT-275](#)  
[15602-04-08-21](#) [BA311TU](#) [BA411SU](#) [MV-152](#) [MV-252-D](#) [MV-253/NCNOC](#) [MV-254-D](#) [MV-255](#) [MV-462](#) [MV-493](#) [MVE-252](#) [MVE-253](#)  
[MVE-273](#) [MVEB-153](#) [1700096](#) [1705142](#) [1712417](#) [1713020](#) [1713088](#) [1745195](#) [1760594](#) [1776118-2](#) [1790852](#) [1-796689-8](#) [1-796692-6](#)  
[1800001](#) [1800114](#) [1995279](#) [20020314-C121B01LF](#) [CB2-12](#) [KP03215000J0G](#) [KP04215000J0G](#) [S451](#) [282802-2](#) [29.007](#) [29.116](#) [30.103](#)  
[30.106](#)