

## Feed-through header - MCVK 1,5/10-GF-3,81 - 1832950

Please be informed that the data shown in this PDF Document is generated from our Online Catalog. Please find the complete data in the user's documentation. Our General Terms of Use for Downloads are valid (<http://phoenixcontact.com/download>)



DIN rail connector, nominal current: 8 A, rated voltage (III/2): 160 V, nominal cross section: 1.5 mm<sup>2</sup>, number of positions: 10, pitch: 3.81 mm, connection method: Screw connection with tension sleeve, color: green, contact surface: Tin, mounting: DIN rail


The figure shows a 16-position version

### Your advantages

- ✓ Screwable flange for superior mechanical stability
- ✓ Maximum flexibility when it comes to device design – one header for connectors with different connection technologies
- ✓ For mounting on a DIN rail NS 15
- ✓ Well-known connection principle allows worldwide use



### Key Commercial Data

|              |                                                                                                         |
|--------------|---------------------------------------------------------------------------------------------------------|
| Packing unit | 50 pc                                                                                                   |
| GTIN         | <br>4 017918 051655 |
| GTIN         | 4017918051655                                                                                           |

### Technical data

#### Item properties

|                           |                                      |
|---------------------------|--------------------------------------|
| Brief article description | DIN rail connector                   |
| Plug-in system            | MINI COMBICON                        |
| Type of contact           | Male connector                       |
| Range of articles         | MCVK 1,5/...-GF                      |
| Pitch                     | 3.81 mm                              |
| Number of positions       | 10                                   |
| Connection method         | Screw connection with tension sleeve |
| Screw thread              | M2                                   |
| Mounting type             | DIN rail                             |
| Locking                   | Threaded flange                      |
| Number of levels          | 1                                    |

# Feed-through header - MCVK 1,5/10-GF-3,81 - 1832950

## Technical data

### Item properties

|                       |    |
|-----------------------|----|
| Number of connections | 10 |
| Number of potentials  | 10 |

### Electrical parameters

|                             |        |
|-----------------------------|--------|
| Nominal current             | 8 A    |
| Nom. voltage                | 160 V  |
| Rated voltage               | 160 V  |
| Rated voltage (III/2)       | 160 V  |
| Rated voltage (II/2)        | 320 V  |
| Rated surge voltage (III/3) | 2.5 kV |
| Rated surge voltage (III/2) | 2.5 kV |
| Rated surge voltage (II/2)  | 2.5 kV |

### Connection capacity

|                                                                                           |                                               |
|-------------------------------------------------------------------------------------------|-----------------------------------------------|
| Connection method                                                                         | Screw connection with tension sleeve          |
| pluggable                                                                                 | Yes                                           |
| Conductor cross section solid                                                             | 0.14 mm <sup>2</sup> ... 1.5 mm <sup>2</sup>  |
| Conductor cross section flexible                                                          | 0.14 mm <sup>2</sup> ... 1.5 mm <sup>2</sup>  |
| Conductor cross section AWG / kcmil                                                       | 28 ... 16                                     |
| Conductor cross section flexible, with ferrule without plastic sleeve                     | 0.25 mm <sup>2</sup> ... 1.5 mm <sup>2</sup>  |
| Conductor cross section, flexible, with ferrule, with plastic sleeve                      | 0.25 mm <sup>2</sup> ... 0.5 mm <sup>2</sup>  |
| 2 conductors with same cross section, solid                                               | 0.14 mm <sup>2</sup> ... 0.5 mm <sup>2</sup>  |
| 2 conductors with same cross section, flexible                                            | 0.14 mm <sup>2</sup> ... 0.75 mm <sup>2</sup> |
| 2 conductors with same cross section, flexible, with ferrule without plastic sleeve       | 0.25 mm <sup>2</sup> ... 0.34 mm <sup>2</sup> |
| 2 conductors with the same cross section, flexible, with TWIN ferrule with plastic sleeve | 0.5 mm <sup>2</sup> ... 0.5 mm <sup>2</sup>   |
| Cylindrical gauge a x b / diameter                                                        | 2.4 mm x 1.5 mm / 1.6 mm                      |
| Stripping length                                                                          | 7 mm                                          |
| Torque                                                                                    | 0.22 Nm ... 0.25 Nm                           |

### Flange specifications

|                 |                 |
|-----------------|-----------------|
| Type of locking | Screw locking   |
| Mounting flange | Threaded flange |
| Torque          | 0.3 Nm          |

### Material data - contact

|                                             |                                                                                   |
|---------------------------------------------|-----------------------------------------------------------------------------------|
| Note                                        | WEEE/RoHS-compliant, free of whiskers according to IEC 60068-2-82/ JEDEC JESD 201 |
| Contact material                            | Cu alloy                                                                          |
| Surface characteristics                     | Tin-plated                                                                        |
| Metal surface terminal point (top layer)    | Tin (5 - 7 µm Sn)                                                                 |
| Metal surface terminal point (middle layer) | Nickel (2 - 3 µm Ni)                                                              |
| Metal surface contact area (top layer)      | Tin (5 - 7 µm Sn)                                                                 |

# Feed-through header - MCVK 1,5/10-GF-3,81 - 1832950

## Technical data

### Material data - contact

|                                           |                       |
|-------------------------------------------|-----------------------|
| Metal surface contact area (middle layer) | Nickel (2 - 3 µm Ni), |
|-------------------------------------------|-----------------------|

### Material data - housing

|                                                                   |              |
|-------------------------------------------------------------------|--------------|
| Housing color                                                     | green (6021) |
| Insulating material                                               | PA           |
| Insulating material group                                         | I            |
| CTI according to IEC 60112                                        | 600          |
| Flammability rating according to UL 94                            | V0           |
| Glow wire flammability index GWFI according to EN 60695-2-12      | 850          |
| Glow wire ignition temperature GWIT according to EN 60695-2-13    | 775          |
| Temperature for the ball pressure test according to EN 60695-10-2 | 125 °C       |

### Dimensions for the product

|                             |         |
|-----------------------------|---------|
| Pitch                       | 3.81 mm |
| Height (without solder pin) | 27 mm   |

### Packaging information

|                            |                     |
|----------------------------|---------------------|
| Type of packaging          | packed in cardboard |
| Pieces per package         | 50                  |
| Denomination packing units | Pcs.                |

### General product information

|      |                                                                                                                                                                                          |
|------|------------------------------------------------------------------------------------------------------------------------------------------------------------------------------------------|
| Note | In accordance with IEC 61984, COMBICON connectors have no switching power (COC). During designated use, they must not be plugged in or disconnected when carrying voltage or under load. |
|------|------------------------------------------------------------------------------------------------------------------------------------------------------------------------------------------|

### Ambient conditions

|                                         |                                                     |
|-----------------------------------------|-----------------------------------------------------|
| Ambient temperature (storage/transport) | -40 °C ... 70 °C                                    |
| Ambient temperature (assembly)          | -5 °C ... 100 °C                                    |
| Ambient temperature (operation)         | -40 °C ... 105 °C (dependent on the derating curve) |

### Air clearances and creepage distances

|                                                 |                                                          |
|-------------------------------------------------|----------------------------------------------------------|
| Clearances and creepage distances               | IEC 60664-1:2007-04                                      |
| Specification                                   | IEC 60664-1:2007-04                                      |
| Minimum clearance - inhomogeneous field (III/3) | 1.5 mm                                                   |
| Minimum clearance - inhomogeneous field (III/2) | 1.5 mm                                                   |
| Minimum clearance - inhomogeneous field (II/2)  | 1.5 mm                                                   |
| Minimum creepage distance value (III/3)         | 2 mm                                                     |
| Minimum creepage distance value (III/2)         | 1.5 mm                                                   |
| Minimum creepage distance value (II/2)          | 1.6 mm                                                   |
| Note on connection cross section                | With connected conductor 1.5 mm <sup>2</sup> (stranded). |

### Environmental Product Compliance

|            |                                                |
|------------|------------------------------------------------|
| REACH SVHC | Lead 7439-92-1                                 |
| China RoHS | Environmentally Friendly Use Period = 50 years |

# Feed-through header - MCVK 1,5/10-GF-3,81 - 1832950

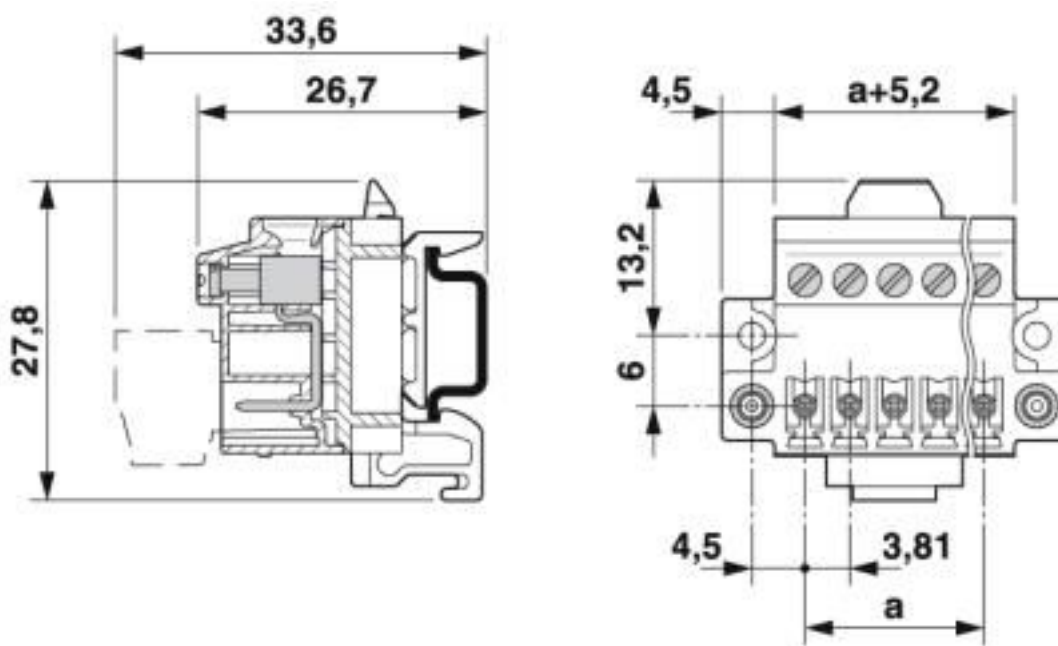
## Technical data

### Environmental Product Compliance

|  |                                                                                                     |
|--|-----------------------------------------------------------------------------------------------------|
|  | For details about hazardous substances go to tab "Downloads", Category "Manufacturer's declaration" |
|--|-----------------------------------------------------------------------------------------------------|

## Drawings

Dimensional drawing



## Classifications

### eCl@ss

|               |          |
|---------------|----------|
| eCl@ss 10.0.1 | 27141106 |
| eCl@ss 4.0    | 27260700 |
| eCl@ss 4.1    | 27260700 |
| eCl@ss 5.0    | 27141100 |
| eCl@ss 5.1    | 27141100 |
| eCl@ss 6.0    | 27141100 |
| eCl@ss 7.0    | 27141106 |
| eCl@ss 8.0    | 27141106 |
| eCl@ss 9.0    | 27141106 |

### ETIM

|          |          |
|----------|----------|
| ETIM 3.0 | EC001121 |
| ETIM 4.0 | EC002637 |
| ETIM 5.0 | EC001284 |
| ETIM 6.0 | EC001284 |

# Feed-through header - MCVK 1,5/10-GF-3,81 - 1832950

## Classifications

### ETIM

|          |          |
|----------|----------|
| ETIM 7.0 | EC001284 |
|----------|----------|

### UNSPSC

|               |          |
|---------------|----------|
| UNSPSC 6.01   | 30211810 |
| UNSPSC 7.0901 | 39121409 |
| UNSPSC 11     | 39121409 |
| UNSPSC 12.01  | 39121409 |
| UNSPSC 13.2   | 39121409 |
| UNSPSC 18.0   | 39121409 |
| UNSPSC 19.0   | 39121409 |
| UNSPSC 20.0   | 39121409 |
| UNSPSC 21.0   | 39121409 |

## Approvals

### Approvals

---

#### Approvals


CSA / EAC / cULus Recognized


---

#### Ex Approvals

---

### Approval details

|                            |                                                                                     |                                                                                                                                         |       |
|----------------------------|-------------------------------------------------------------------------------------|-----------------------------------------------------------------------------------------------------------------------------------------|-------|
| CSA                        |  | <a href="http://www.csagroup.org/services-industries/product-listing/">http://www.csagroup.org/services-industries/product-listing/</a> | 13631 |
|                            |                                                                                     | B                                                                                                                                       |       |
| Nominal voltage UN         |                                                                                     |                                                                                                                                         | 300 V |
| Nominal current IN         |                                                                                     |                                                                                                                                         | 8 A   |
| mm <sup>2</sup> /AWG/kcmil |                                                                                     |                                                                                                                                         | 28-16 |

|     |                                                                                     |         |
|-----|-------------------------------------------------------------------------------------|---------|
| EAC |  | B.01687 |
|-----|-------------------------------------------------------------------------------------|---------|

# Feed-through header - MCVK 1,5/10-GF-3,81 - 1832950

## Approvals

|                            |  |                                                                                                                                                       |                 |
|----------------------------|--|-------------------------------------------------------------------------------------------------------------------------------------------------------|-----------------|
| cULus Recognized           |  | <a href="http://database.ul.com/cgi-bin/XYV/template/LISEXT/1FRAME/index.htm">http://database.ul.com/cgi-bin/XYV/template/LISEXT/1FRAME/index.htm</a> | E60425-20110128 |
|                            |  | B                                                                                                                                                     |                 |
| Nominal voltage UN         |  | 300 V                                                                                                                                                 |                 |
| Nominal current IN         |  | 8 A                                                                                                                                                   |                 |
| mm <sup>2</sup> /AWG/kcmil |  | 30-14                                                                                                                                                 |                 |

## Accessories

### Accessories

#### Coding element

Coding profile - CP-MSTB - 1734634

Coding profile, is inserted into the slot on the plug or inverted header, red insulating material



#### Labeled terminal marker

Marker card - SK 3,81/2,8:FORTL.ZAHLEN - 0804109



Marker card, Card, white, labeled, horizontal: consecutive numbers 1 ... 10, 11 ... 20, etc. up to 91 ... (99)100, mounting type: adhesive, for terminal block width: 3.81 mm, lettering field size: 3.81 x 2.8 mm

#### Screwdriver tools

Screwdriver - SZS 0,4X2,5 VDE - 1205037



Screwdriver, slot-headed, VDE insulated, size: 0.4 x 2.5 x 80 mm, 2-component grip, with non-slip grip

#### Additional products

## Feed-through header - MCVK 1,5/10-GF-3,81 - 1832950

### Accessories

#### Printed-circuit board connector - MC 1,5/10-STF-3,81 - 1827787



PCB connector, nominal current: 8 A, rated voltage (III/2): 160 V, nominal cross section: 1.5 mm<sup>2</sup>, number of positions: 10, pitch: 3.81 mm, connection method: Screw connection with tension sleeve, color: green, contact surface: Tin

#### Printed-circuit board connector - QC 0,5/10-STF-3,81 - 1897623



PCB connector, nominal current: 6 A, rated voltage (III/2): 200 V, nominal cross section: 0.5 mm<sup>2</sup>, number of positions: 10, pitch: 3.81 mm, connection method: Displacement connection, color: green, contact surface: Tin

#### Printed-circuit board connector - MCC 1/10-STZF-3,81 - 1852448



PCB connector, nominal current: 8 A, rated voltage (III/2): 160 V, nominal cross section: 1 mm<sup>2</sup>, number of positions: 10, pitch: 3.81 mm, connection method: Crimp connection, color: green, Corresponding female crimp contacts with current [A] and conductor cross section range [mm<sup>2</sup>] data: 5A/MCC-MT 0,2-0,35 (1859988); 8A/MCC-MT 0,5-1,0 (1859991)

#### Printed-circuit board connector - FK-MCP 1,5/10-STF-3,81 - 1851313



PCB connector, nominal current: 8 A, rated voltage (III/2): 160 V, nominal cross section: 1.5 mm<sup>2</sup>, number of positions: 10, pitch: 3.81 mm, connection method: Push-in spring connection, color: green, contact surface: Tin

#### Printed-circuit board connector - MCVR 1,5/10-STF-3,81 - 1828427



PCB connector, nominal current: 8 A, rated voltage (III/2): 160 V, nominal cross section: 1.5 mm<sup>2</sup>, number of positions: 10, pitch: 3.81 mm, connection method: Screw connection with tension sleeve, color: green, contact surface: Tin

## Feed-through header - MCVK 1,5/10-GF-3,81 - 1832950

### Accessories

Printed-circuit board connector - FRONT-MC 1,5/10-STF-3,81 - 1850932

PCB connector, nominal current: 8 A, rated voltage (III/2): 160 V, nominal cross section: 1.5 mm<sup>2</sup>, number of positions: 10, pitch: 3.81 mm, connection method: Front screw connection, color: green, contact surface: Tin



---

Printed-circuit board connector - MCVW 1,5/10-STF-3,81 - 1828579

PCB connector, nominal current: 8 A, rated voltage (III/2): 160 V, nominal cross section: 1.5 mm<sup>2</sup>, number of positions: 10, pitch: 3.81 mm, connection method: Screw connection with tension sleeve, color: green, contact surface: Tin



---

Phoenix Contact 2020 © - all rights reserved  
<http://www.phoenixcontact.com>

PHOENIX CONTACT GmbH & Co. KG  
Flachsmarktstr. 8  
32825 Blomberg  
Germany  
Tel. +49 5235 300  
Fax +49 5235 3 41200  
<http://www.phoenixcontact.com>



## X-ON Electronics

Largest Supplier of Electrical and Electronic Components

*Click to view similar products for [DIN Rail Terminal Blocks](#) category:*

*Click to view products by [Phoenix Contact](#) manufacturer:*

Other Similar products are found below :

[00110420202](#) [8WA1011-1BH23](#) [8WA1011-1EF20](#) [91.010](#) [9102100000](#) [91.040](#) [9123140000](#) [9123140001](#) [RBO 5-T-B-HEX](#) [1333564](#) [DP25-GY-ND](#) [1431306](#) [1433306](#) [90.070](#) [91.020](#) [912314](#) [260-301\\_NR](#) [2757571](#) [280-331](#) [280-560](#) [280-564](#) [281-611/281-542](#) [281-673/281-411](#) [281-994](#) [283-317](#) [283-607](#) [2909798](#) [264-724](#) [264-726](#) [280-530](#) [280-555](#) [280-619](#) [281-610](#) [281-622/281-417](#) [284-317](#) [284-601](#) [2907033](#) [3048496](#) [5542152](#) [35956](#) [USK 10](#) [102510](#) [1025100000](#) [5520682](#) [5607102](#) [EMH 25-ZE30](#) [591620-2](#) [UM 45-SEFE M.NUT BK](#) [1-591651-1](#) [8671050000](#)