

FO PCB terminal block - FOPT 2,2-R - 1907924

Please be informed that the data shown in this PDF Document is generated from our Online Catalog. Please find the complete data in the user's documentation. Our General Terms of Use for Downloads are valid (<http://phoenixcontact.com/download>)




PCB terminal block, nominal cross section: 0 mm², pitch: 10.16 mm, number of positions: 1, connection method: Push-in spring connection, mounting: Wave soldering, conductor/PCB connection direction: 0 °, color: black. Black, shielded housing with receive diode/fiber optics that can be connected: polymer fiber (according to IEC 60793-2 type A4a, diameter of outer sheath: 2.2 mm)/data rate: 5 Mbps/transmission distance: max. 50 m/detailed data sheet in download area

Your advantages

- Connection of fiber optics without fiber pretreatment
- Time saving push-in connection, tools not required
- Defined contact force ensures that contact remains stable over the long term
- Intuitive use through colour coded actuation lever



Key Commercial Data

Packing unit	10 pc
GTIN	 4 017918 606572
GTIN	4017918606572

Technical data

Item properties

Brief article description	FO PCB terminal block
Range of articles	FOPT
Pitch	10.16 mm
Number of positions	1
Connection method	Push-in spring connection
Mounting type	Wave soldering
Number of levels	1
Number of connections	1
Number of potentials	1

Connection capacity

Connection method	Push-in spring connection
pluggable	no

FO PCB terminal block - FOPT 2,2-R - 1907924

Technical data

Material data - contact

Note	WEEE/RoHS-compliant, free of whiskers according to IEC 60068-2-82/ JEDEC JESD 201
Contact material	Cu alloy

Material data - housing

Housing color	black (9005)
---------------	--------------

Dimensions for the product

Pitch	10.16 mm
Height (without solder pin)	11 mm

Packaging information

Type of packaging	packed in cardboard
Pieces per package	10
Denomination packing units	Pcs.

Ambient conditions

Ambient temperature (storage/transport)	-25 °C ... 85 °C
Ambient temperature (operation)	0 °C ... 70 °C

Standards and Regulations

Connection in acc. with standard	EN-VDE
Flammability rating according to UL 94	HB

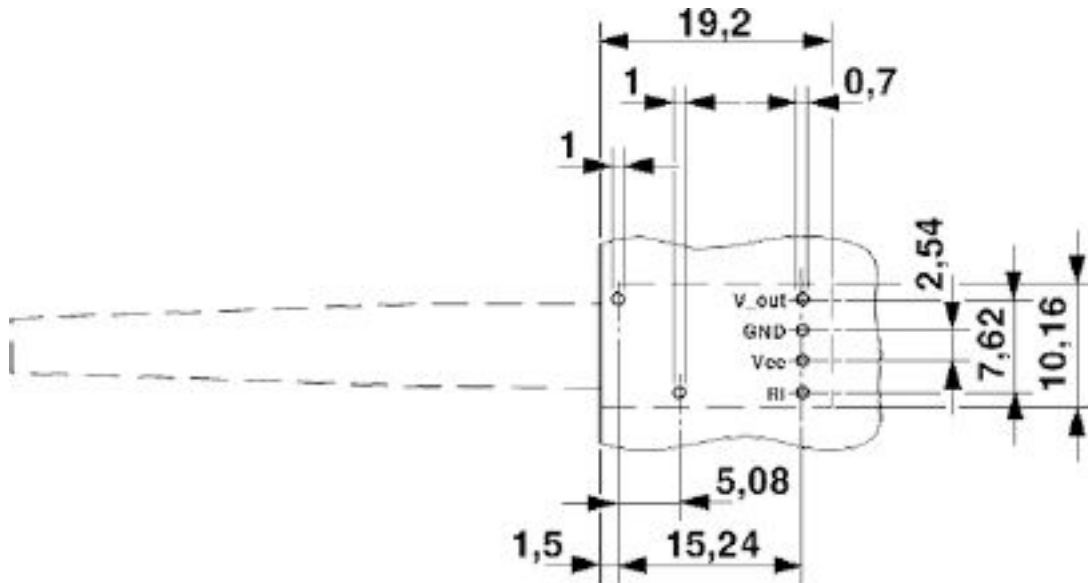
Environmental Product Compliance

China RoHS	Environmentally friendly use period: unlimited = EFUP-e
	No hazardous substances above threshold values

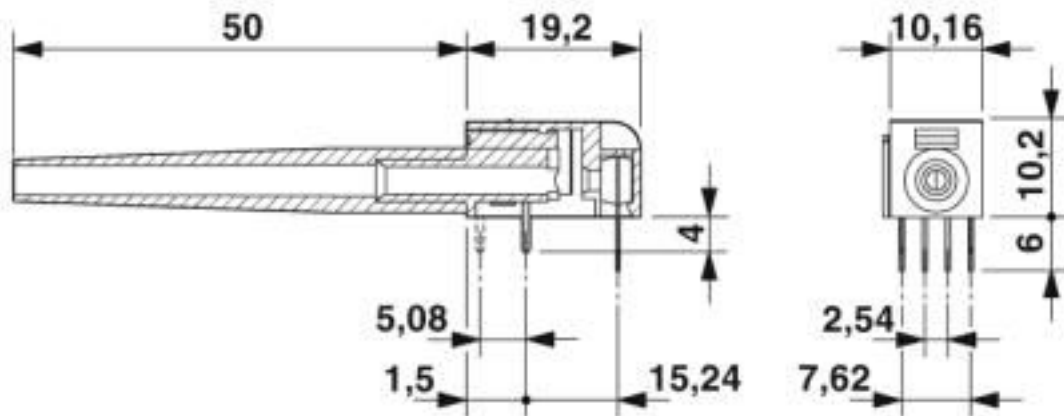
Drawings

FO PCB terminal block - FOPT 2,2-R - 1907924

Drilling diagram

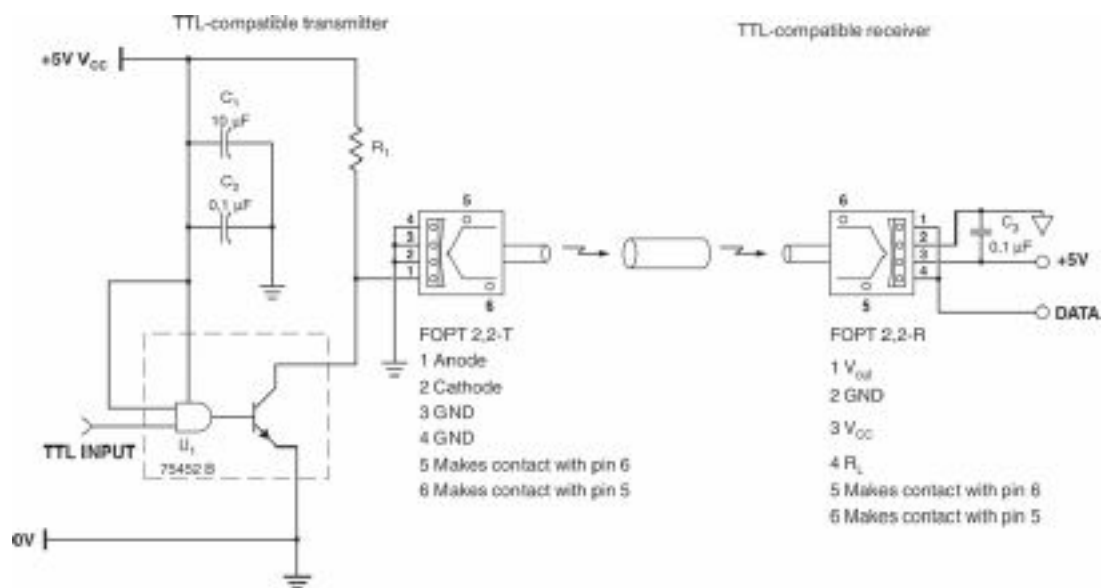


Dimensional drawing



FO PCB terminal block - FOPT 2,2-R - 1907924

Circuit diagram



Classifications

eCl@ss

eCl@ss 10.0.1	27440401
eCl@ss 4.0	27260700
eCl@ss 4.1	27260700
eCl@ss 5.0	27260700
eCl@ss 5.1	27261100
eCl@ss 6.0	27261100
eCl@ss 7.0	27440401
eCl@ss 8.0	27440401
eCl@ss 9.0	27440401

ETIM

ETIM 3.0	EC001121
ETIM 4.0	EC002637
ETIM 5.0	EC002643
ETIM 6.0	EC002643
ETIM 7.0	EC002643

UNSPSC

UNSPSC 6.01	30211832
UNSPSC 7.0901	39121429
UNSPSC 11	39121429
UNSPSC 12.01	39121429
UNSPSC 13.2	39121432
UNSPSC 18.0	39121432

FO PCB terminal block - FOPT 2,2-R - 1907924

Classifications

UNSPSC

UNSPSC 19.0	39121432
UNSPSC 20.0	39121432
UNSPSC 21.0	39121432

Approvals

Approvals

Approvals

EAC

Ex Approvals

Approval details

EAC		B.01687
-----	--	---------

Accessories

Accessories

Assembly tool

Fiber cutter - IBS RL FOC - 2725147



Fiber cutter for assembling polymer fiber cables for connecting INTERBUS Ruggedline devices

Data cable by the meter

FO cable - PSM-LWL-KDL-980/1000 - 2799283



Polymer fiber cable, duplex 980/1000 µm, light-weight version for indoor installation, by the meter, without connector

FO PCB terminal block - FOPT 2,2-R - 1907924

Accessories

FO cable - PSM-LWL-KDHEAVY-980/1000 - 2744319



Polymer fiber cable, duplex 980 µm/1000 µm, medium-weight version for installation in stationary systems and machines, by the meter without male connector

FO cable - PSM-LWL-RUGGED-980/1000 - 2744322



Polymer fiber cable, duplex 980µm/1000µm, heavy-weight version for installation in stationary systems and machines, by the meter without male connector

FO cable - PSM-LWL-RUGGED-FLEX-980/1000 - 2744335



Polymer fiber cable, duplex 980/1000 µm, heavy-weight, highly flexible version for flexible conduit applications, by the meter, without connector

Screwdriver tools

Screwdriver - SZF 0-0,4X2,5 - 1204504



Actuation tool, for ST terminal blocks, also suitable for use as a bladed screwdriver, size: 0.4 x 2.5 x 75 mm, 2-component grip, with non-slip grip

Phoenix Contact 2020 © - all rights reserved
<http://www.phoenixcontact.com>

PHOENIX CONTACT GmbH & Co. KG
Flachsmarktstr. 8
32825 Blomberg
Germany
Tel. +49 5235 300
Fax +49 5235 3 41200
<http://www.phoenixcontact.com>

X-ON Electronics

Largest Supplier of Electrical and Electronic Components

Click to view similar products for [Fixed Terminal Blocks](#) category:

Click to view products by [Phoenix Contact](#) manufacturer:

Other Similar products are found below :

[MBE-1512](#) [MBE-154](#) [MBE-156](#) [MBES-153](#) [MBES-156](#) [MH-2512](#) [MHE-132](#) [MHE-163](#) [MI-254 \(35\)](#) [MI-272](#) [880507](#) [MPT-275](#)
[15602-04-08-21](#) [BA311TU](#) [BA411SU](#) [MV-152](#) [MV-252-D](#) [MV-253/NCNOC](#) [MV-254-D](#) [MV-255](#) [MV-462](#) [MV-493](#) [MVE-252](#) [MVE-253](#)
[MVE-273](#) [MVEB-153](#) [1700096](#) [1705142](#) [1712417](#) [1713020](#) [1713088](#) [1745195](#) [1760594](#) [1776118-2](#) [1790852](#) [1-796689-8](#) [1-796692-6](#)
[1800001](#) [1800114](#) [1995279](#) [20020314-C121B01LF](#) [CB2-12](#) [KP03215000J0G](#) [KP04215000J0G](#) [S451](#) [282802-2](#) [29.007](#) [29.116](#) [30.103](#)
[30.106](#)