

## Printed-circuit board connector - SPC 5/ 5-ST-7,62 - 1996045

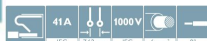
Please be informed that the data shown in this PDF Document is generated from our Online Catalog. Please find the complete data in the user's documentation. Our General Terms of Use for Downloads are valid (<http://phoenixcontact.com/download>)




PCB connector, nominal current: 41 A, rated voltage (III/2): 1000 V, nominal cross section: 6 mm<sup>2</sup>, number of positions: 5, pitch: 7.62 mm, connection method: Push-in spring connection, color: green, contact surface: Tin

### Your advantages

- ✓ Time saving push-in connection, tools not required
- ✓ Defined contact force ensures that contact remains stable over the long term
- ✓ Clamping space opened by means of fixed screwdriver enables convenient conductor connection
- ✓ Integrated double steel spring provides additional safety in the event of temperature and power fluctuations
- ✓ Optimized for tight installation situations: operation and conductor connection from one direction
- ✓ 600 V UL approval in the smallest of dimensions



### Key Commercial Data

|              |   |
|--------------|---|
| Packing unit | 50 pc   |
| GTIN         | <br>4 046356 037785 |
| GTIN         | 4046356037785   |

### Technical data

#### Item properties

|                           |                                 |
|---------------------------|---------------------------------|
| Brief article description | Printed-circuit board connector |
| Plug-in system            | POWER COMBICON 5                |
| Type of contact           | Female connector                |
| Range of articles         | SPC 5/..-ST                     |
| Pitch                     | 7.62 mm                         |
| Number of positions       | 5                               |
| Connection method         | Push-in spring connection       |
| Locking                   | without                         |
| Number of levels          | 1                               |
| Number of connections     | 5                               |

# Printed-circuit board connector - SPC 5/ 5-ST-7,62 - 1996045

## Technical data

### Item properties

|                      |   |
|----------------------|---|
| Number of potentials | 5 |
|----------------------|---|

### Electrical parameters

|                             |        |
|-----------------------------|--------|
| Nominal current             | 41 A   |
| Nom. voltage                | 1000 V |
| Rated voltage               | 1000 V |
| Rated voltage (III/2)       | 1000 V |
| Rated voltage (II/2)        | 1000 V |
| Rated surge voltage (III/3) | 8 kV   |
| Rated surge voltage (III/2) | 8 kV   |
| Rated surge voltage (II/2)  | 6 kV   |

### Connection capacity

|   |  |
|---|--|
| Connection method   | Push-in spring connection                    |
| pluggable   | Yes  |
| Conductor cross section solid   | 0.2 mm <sup>2</sup> ... 10 mm <sup>2</sup>   |
| Conductor cross section flexible  | 0.2 mm <sup>2</sup> ... 6 mm <sup>2</sup>    |
| Conductor cross section AWG / kcmil   | 24 ... 8                                     |
| Conductor cross section flexible, with ferrule without plastic sleeve                     | 0.25 mm <sup>2</sup> ... 6 mm <sup>2</sup>   |
| Conductor cross section, flexible, with ferrule, with plastic sleeve                      | 0.25 mm <sup>2</sup> ... 4 mm <sup>2</sup>   |
| 2 conductors with the same cross section, flexible, with TWIN ferrule with plastic sleeve | 0.25 mm <sup>2</sup> ... 1.5 mm <sup>2</sup> |
| Stripping length  | 15 mm  |

### Specifications for ferrules

|  |   |
|--|---|
| Recommended crimping pliers                                  | 1212034 CRIMPFOX 6  |
| Ferrules without insulating collar, according to DIN 46228-1 | Cross section: 0.5 mm <sup>2</sup> ; Length: 10 mm ... 15 mm  |
|  | Cross section: 0.75 mm <sup>2</sup> ; Length: 10 mm ... 15 mm |
|  | Cross section: 1 mm <sup>2</sup> ; Length: 10 mm ... 15 mm    |
|  | Cross section: 1.5 mm <sup>2</sup> ; Length: 10 mm ... 15 mm  |
|  | Cross section: 2.5 mm <sup>2</sup> ; Length: 12 mm ... 15 mm  |
|  | Cross section: 4 mm <sup>2</sup> ; Length: 12 mm ... 15 mm    |
| Recommended crimping pliers                                  | 1212034 CRIMPFOX 6  |
| Ferrules with insulating collar, according to DIN 46228-4    | Cross section: 0.5 mm <sup>2</sup> ; Length: 10 mm ... 15 mm  |
|  | Cross section: 0.75 mm <sup>2</sup> ; Length: 12 mm ... 15 mm |
|  | Cross section: 1 mm <sup>2</sup> ; Length: 12 mm ... 15 mm    |
|  | Cross section: 1.5 mm <sup>2</sup> ; Length: 12 mm ... 15 mm  |
|  | Cross section: 2.5 mm <sup>2</sup> ; Length: 12 mm ... 15 mm  |
|  | Cross section: 4 mm <sup>2</sup> ; Length: 12 mm ... 15 mm    |

### Material data - contact

|                  |   |
|------------------|---|
| Note             | WEEE/RoHS-compliant, free of whiskers according to IEC 60068-2-82/ JEDEC JESD 201 |
| Contact material | Cu alloy  |

# Printed-circuit board connector - SPC 5/ 5-ST-7,62 - 1996045

## Technical data

### Material data - contact

|  |                    |
|--|--------------------|
| Surface characteristics                  | hot-dip tin-plated |
| Metal surface terminal point (top layer) | Tin (4 - 8 µm Sn)  |
| Metal surface contact area (top layer)   | Tin (4 - 8 µm Sn)  |

### Material data - housing

|   |              |
|---|--------------|
| Housing color   | green (6021) |
| Insulating material   | PA           |
| Insulating material group   | I            |
| CTI according to IEC 60112  | 600          |
| Flammability rating according to UL 94                            | V0           |
| Glow wire flammability index GWFI according to EN 60695-2-12      | 850          |
| Glow wire ignition temperature GWIT according to EN 60695-2-13    | 775          |
| Temperature for the ball pressure test according to EN 60695-10-2 | 125 °C       |

### Dimensions for the product

|              |         |
|--------------|---------|
| Length [ l ] | 38.5 mm |
| Width [ w ]  | 38.1 mm |
| Height [ h ] | 19.8 mm |
| Pitch        | 7.62 mm |

### Packaging information

|                            |                     |
|----------------------------|---------------------|
| Type of packaging          | packed in cardboard |
| Pieces per package         | 50                  |
| Denomination packing units | Pcs.                |

### Ambient conditions

|   |   |
|---|---|
| Ambient temperature (storage/transport) | -40 °C ... 70 °C                                    |
| Ambient temperature (assembly)          | -5 °C ... 100 °C                                    |
| Ambient temperature (operation)         | -40 °C ... 100 °C (dependent on the derating curve) |

### Termination and connection method

|  |   |
|--|---|
| Conductor connection test                | The stripped-off ends of the largest conductor can be completely inserted in the opening of the terminal point without using excessive force. |
| Test result                              | Test passed   |
| Test – repeated connection and release   | IEC 60999-1:1999-11   |
|  | Test passed   |
| Test for conductor damage and slackening | IEC 60999-1:1999-11   |
|  | Test passed   |

### Pull-out test

|  |   |
|--|---|
| Pull-out test  | IEC 60999-1:1999-11                     |
|  | Test passed                             |
| Conductor cross section / conductor type / tensile force | 0.2 mm <sup>2</sup> / solid / > 10 N    |
|  | 0.2 mm <sup>2</sup> / flexible / > 10 N |

# Printed-circuit board connector - SPC 5/ 5-ST-7,62 - 1996045

## Technical data

### Pull-out test

|  |                                       |
|--|---------------------------------------|
|  | 10 mm <sup>2</sup> / solid / > 90 N   |
|  | 6 mm <sup>2</sup> / flexible / > 80 N |

### Mechanical tests according to standard

|                                     |                        |
|-------------------------------------|------------------------|
| Test specification                  | IEC 61984              |
| Visual inspection                   | IEC 60512-1-1:2002-02  |
| Dimension check                     | IEC 60512-1-2:2002-02  |
| Resistance of inscriptions          | IEC 60068-2-70:1995-12 |
| Insertion and withdrawal force      | IEC 60512-13-2:2006-02 |
| No. of cycles                       | 50                     |
| Insertion strength per pos. approx. | 8 N                    |
| Withdraw strength per pos. approx.  | 6 N                    |
| Polarization and coding             | IEC 60512-13-5:2006-02 |
| Contact holder in insert            | IEC 60512-15-1:2008-05 |
| Test force per pos.                 | 34 N                   |

### Air clearances and creepage distances

|   |                     |
|---|---------------------|
| Clearances and creepage distances               | IEC 60664-1:2007-04 |
| Specification                                   | IEC 60664-1:2007-04 |
| Minimum clearance - inhomogeneous field (III/3) | 8 mm                |
| Minimum clearance - inhomogeneous field (III/2) | 8 mm                |
| Minimum clearance - inhomogeneous field (II/2)  | 5.5 mm              |
| Minimum creepage distance value (III/3)         | 12.5 mm             |
| Minimum creepage distance value (III/2)         | 8 mm                |
| Minimum creepage distance value (II/2)          | 5.5 mm              |

### Electrical tests - Function

|               |                     |
|---------------|---------------------|
| Specification | IEC 60999-1:1999-11 |
|---------------|---------------------|

### Temperature cycles

|                                      |                     |
|--------------------------------------|---------------------|
| Specification                        | IEC 60999-1:1999-11 |
| Test current (minimum cross section) | 5 A DC              |
| Test current (maximum cross section) | 32 A DC             |
| Temperature cycles                   | 192                 |

### Current carrying capacity / derating curves

|                  |  |
|------------------|--|
| Caption          | Derating curve for: SPC 5/...-ST-7,62 with PC 5/...-G-7,62 |
| Specification    | IEC 61984:2008-10  |
| Reduction factor | 0.8  |
| Note             | Representation based on IEC 60512-5-2:2002-02              |
|                  | For number of positions, see diagram                       |

### Mechanical tests (A)

|                    |           |
|--------------------|-----------|
| Test specification | IEC 61984 |
|--------------------|-----------|

# Printed-circuit board connector - SPC 5/ 5-ST-7,62 - 1996045

## Technical data

### Mechanical tests (A)

|  |             |
|--|-------------|
| Insertion strength per pos. approx.          | 8 N         |
| Withdraw strength per pos. approx.           | 6 N         |
| Polarization when inserted requirement >20 N | Test passed |
| Contact holder in insert requirements >20 N  | Test passed |

### Durability tests (B)

|  |                       |
|--|-----------------------|
| Specification                                | IEC 60512-9-1:2010-03 |
| Contact resistance R <sub>1</sub>            | 0.8 mΩ                |
| Insertion/withdrawal cycles                  | 50                    |
| Contact resistance R <sub>2</sub>            | 0.8 mΩ                |
| Impulse withstand voltage at sea level       | 7.3 kV                |
| Power-frequency withstand voltage            | 3.31 kV               |
| Insulation resistance, neighboring positions | > 0.2 TΩ              |

### Thermal tests (C)

|   |                       |
|---|-----------------------|
| Specification                                   | IEC 60512-5-1:2002-02 |
| Number of positions                             | 12                    |
| Conductor cross section                         | 6 mm <sup>2</sup>     |
| Test current                                    | 32 A DC               |
| Upper limiting temperature requirements <100 °C | Test passed           |

### Climatic tests (D)

|  |   |
|--|---|
| Specification                          | ISO 6988:1985-02  |
| Cold stress                            | -40 °C/2 h  |
| Thermal stress                         | 100 °C/168 h  |
| Corrosive stress                       | 0.2 dm <sup>3</sup> SO <sub>2</sub> on 300 dm <sup>3</sup> /40 °C/1 cycle |
| Impulse withstand voltage at sea level | 7.3 kV  |
| Power-frequency withstand voltage      | 3.31 kV   |

### Environmental and durability tests (E)

|                                       |                                     |
|---------------------------------------|-------------------------------------|
| Specification                         | IEC 61984:2008-10                   |
| Result, degree of protection, IP code | Finger safety with IP20 test finger |

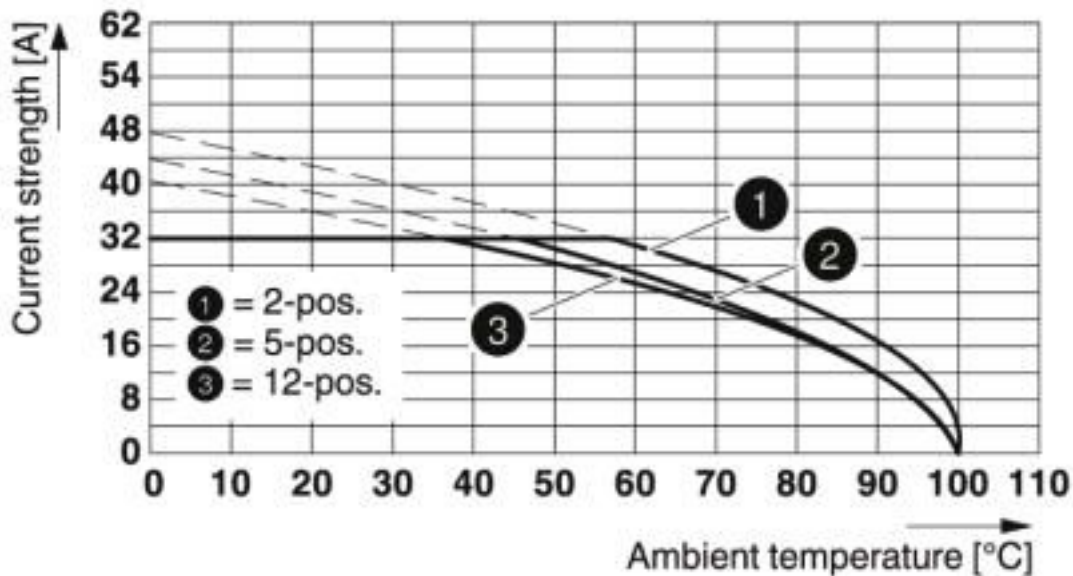
### Environmental Product Compliance

|            |   |
|------------|---|
| China RoHS | Environmentally friendly use period: unlimited = EFUP-e |
|            | No hazardous substances above threshold values          |

## Drawings

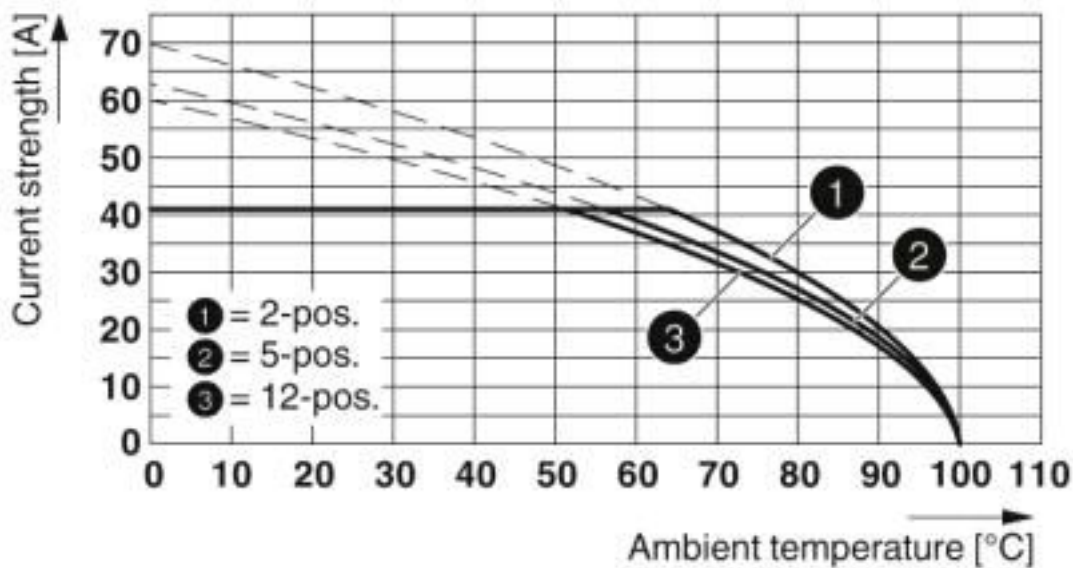
# Printed-circuit board connector - SPC 5/ 5-ST-7,62 - 1996045

Diagram



Derating curve for: SPC 5/...-ST-7,62 with PC 5/...-G-7,62

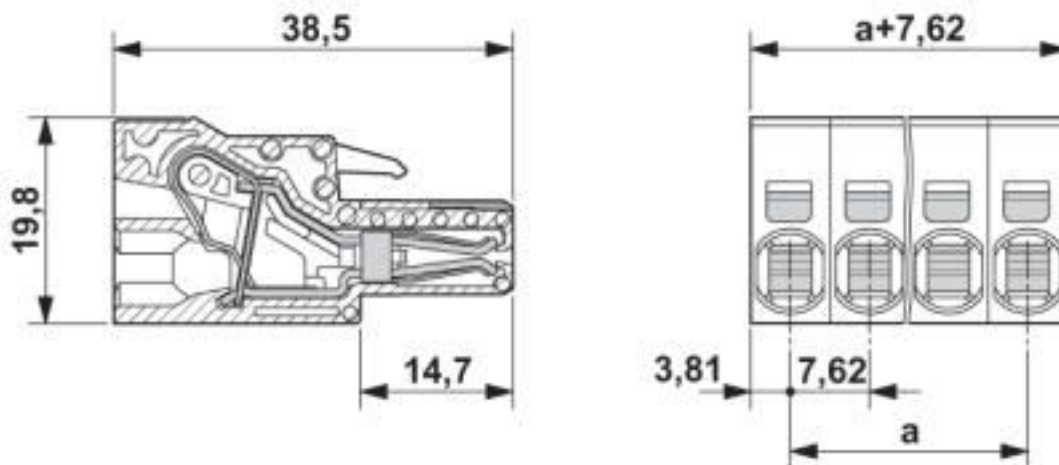
Diagram



Type: SPC 5/...-ST-7,62 with DFK-PC 5/...-ST-7,62

# Printed-circuit board connector - SPC 5/ 5-ST-7,62 - 1996045

Dimensional drawing



## Classifications

eCl@ss

|               |          |
|---------------|----------|
| eCl@ss 10.0.1 | 27440309 |
| eCl@ss 4.0    | 27260700 |
| eCl@ss 4.1    | 27260700 |
| eCl@ss 5.0    | 27260700 |
| eCl@ss 5.1    | 27260700 |
| eCl@ss 6.0    | 27260700 |
| eCl@ss 7.0    | 27440309 |
| eCl@ss 8.0    | 27440309 |
| eCl@ss 9.0    | 27440309 |

ETIM

|          |          |
|----------|----------|
| ETIM 3.0 | EC001121 |
| ETIM 4.0 | EC002638 |
| ETIM 5.0 | EC002638 |
| ETIM 6.0 | EC002638 |
| ETIM 7.0 | EC002638 |

UNSPSC

|               |          |
|---------------|----------|
| UNSPSC 6.01   | 30211810 |
| UNSPSC 7.0901 | 39121409 |
| UNSPSC 11     | 39121409 |
| UNSPSC 12.01  | 39121409 |
| UNSPSC 13.2   | 39121409 |
| UNSPSC 18.0   | 39121409 |
| UNSPSC 19.0   | 39121409 |
| UNSPSC 20.0   | 39121409 |

# Printed-circuit board connector - SPC 5/ 5-ST-7,62 - 1996045

## Classifications

### UNSPSC

|             |          |
|-------------|----------|
| UNSPSC 21.0 | 39121409 |
|-------------|----------|

## Approvals

### Approvals

### Approvals

EAC / cULus Recognized

### Ex Approvals

## Approval details

|     |  |         |
|-----|--|---------|
| EAC |  | B.01687 |
|-----|--|---------|

|                            |       |   |                 |
|----------------------------|-------|---|-----------------|
| cULus Recognized           |       | <a href="http://database.ul.com/cgi-bin/XYV/template/LISEXT/1FRAME/index.htm">http://database.ul.com/cgi-bin/XYV/template/LISEXT/1FRAME/index.htm</a> | E60425-19920722 |
|                            | B     | C   |                 |
| Nominal voltage UN         | 600 V | 600 V   |                 |
| Nominal current IN         | 35 A  | 35 A  |                 |
| mm <sup>2</sup> /AWG/kcmil | 24-8  | 24-8  |                 |

## Accessories

### Accessories

#### Cable end sleeve

Ferrule - AI 4 -15 GY - 1200264



Ferrule, sleeve length: 15 mm, length: 23 mm, color: gray

## Coding element



## Printed-circuit board connector - SPC 5/ 5-ST-7,62 - 1996045

### Accessories

Coding profile - CP-PC RD - 1701967

Coding profile, for plugging into the coding ribs of the plug at a later date, insulating material, color: Red



---

### Crimping tool

Crimping pliers - CRIMPFOX 6 - 1212034



Crimping pliers, for ferrules without insulating collar according to DIN 46228 Part 1 and ferrules with insulating collar according to DIN 46228 Part 4, 0.25 mm<sup>2</sup> ... 6.0 mm<sup>2</sup>, lateral entry, trapezoidal crimp

---

### Labeled terminal marker

Marker card - SK 7,62/3,8:FORTL.ZAHLEN - 0804549



Marker card, Card, white, labeled, horizontal: consecutive numbers 1 ... 10, 11 ... 20, etc. up to 91 ... 100, mounting type: adhesive, for terminal block width: 7.62 mm, lettering field size: 7.62 x 3.8 mm

---

Marker card - SK 3,8 REEL P7,62 WH CUS - 0825128



Marker card, Card, can be ordered: by card, white, labeled according to customer specifications, mounting type: adhesive, for terminal block width: 7.62 mm, lettering field size: continuous x 3.8#mm

---

### Screwdriver tools

Screwdriver - SZF 1-0,6X3,5 - 1204517



Actuation tool, for ST terminal blocks, also suitable for use as a bladed screwdriver, size: 0.6 x 3.5 x 100 mm, 2-component grip, with non-slip grip

---

### Terminal marking

## Printed-circuit board connector - SPC 5/ 5-ST-7,62 - 1996045

### Accessories

Marker card - SK U/3,8 WH:UNBEDRUCKT - 0803906



Marker card, Sheet, white, unlabeled, can be labeled with: PLOTMARK, CMS-P1-PLOTTER, Office printing systems, mounting type: adhesive, for terminal block width: 210 mm, lettering field size: 186 x 3.8 mm, Number of individual labels: 1440

Marker strip - SK 3,8 WH:REEL - 0805218



Marker strip, Roll, white, unlabeled, can be labeled with: THERMOMARK ROLL 2.0, THERMOMARK ROLL, THERMOMARK ROLL X1, THERMOMARK ROLLMASTER 300/600, THERMOMARK X1.2, mounting type: adhesive, for terminal block width: 90000 mm, lettering field size: continuous x 3.8#mm, Number of individual labels: 210000

### Additional products

Printed-circuit board connector - DFK-PCV 5/ 5-G-7,62 - 1716315



Feed-through header, nominal current: 41 A, rated voltage (III/2): 630 V, nominal cross section: 6 mm<sup>2</sup>, number of positions: 5, pitch: 7.62 mm, color: green, contact surface: Tin, mounting: Wave soldering, pin layout: Linear pinning, solder pin [P]: 5 mm

Printed-circuit board connector - PC 5/ 5-G-7,62 - 1720495



PCB headers, nominal current: 41 A, rated voltage (III/2): 630 V, nominal cross section: 6 mm<sup>2</sup>, number of positions: 5, pitch: 7.62 mm, color: green, contact surface: Tin, mounting: Wave soldering, pin layout: Linear pinning, solder pin [P]: 5 mm

Printed-circuit board connector - PCV 5/ 5-G-7,62 - 1720602



PCB headers, nominal current: 41 A, rated voltage (III/2): 630 V, nominal cross section: 6 mm<sup>2</sup>, number of positions: 5, pitch: 7.62 mm, color: green, contact surface: Tin, mounting: Wave soldering, pin layout: Linear pinning, solder pin [P]: 5 mm

## Printed-circuit board connector - SPC 5/ 5-ST-7,62 - 1996045

### Accessories

#### Printed-circuit board connector - PC 5/ 5-GU-7,62 - 1720712



PCB headers, nominal current: 41 A, rated voltage (III/2): 630 V, nominal cross section: 6 mm<sup>2</sup>, number of positions: 5, pitch: 7.62 mm, color: green, contact surface: Tin, mounting: Wave soldering, pin layout: Linear pinning, solder pin [P]: 4.2 mm

#### Printed-circuit board connector - DFK-PC 5/ 5-G-7,62 - 1727618



Feed-through header, nominal current: 41 A, rated voltage (III/2): 630 V, nominal cross section: 6 mm<sup>2</sup>, number of positions: 5, pitch: 7.62 mm, color: green, contact surface: Tin, mounting: Wave soldering, pin layout: Linear pinning, solder pin [P]: 4.9 mm

#### Printed-circuit board connector - DFK-PC 5/ 5-GU-7,62 - 1727838



Feed-through header, nominal current: 41 A, rated voltage (III/2): 630 V, nominal cross section: 6 mm<sup>2</sup>, number of positions: 5, pitch: 7.62 mm, color: green, contact surface: Tin, mounting: Wave soldering, pin layout: Linear pinning, solder pin [P]: 4.26 mm

Phoenix Contact 2020 © - all rights reserved  
<http://www.phoenixcontact.com>

PHOENIX CONTACT GmbH & Co. KG  
Flachsmarktstr. 8  
32825 Blomberg  
Germany  
Tel. +49 5235 300  
Fax +49 5235 3 41200  
<http://www.phoenixcontact.com>

## X-ON Electronics

Largest Supplier of Electrical and Electronic Components

*Click to view similar products for [Pluggable Terminal Blocks](#) category:*

*Click to view products by [Phoenix Contact](#) manufacturer:*

Other Similar products are found below :

[57.510.0053](#) [MC 1.5/ 6-ST-3.5 GY AU](#) [734-104](#) [734-302](#) [8-141-P](#) [8426620000](#) [860505](#) [860810](#) [GBPACX-12](#) [93.731.4953.0](#) [PV05-5,08-K](#)  
[PVP02-5,00](#) [PVP03-3,50](#) [PVP04-3,50](#) [PVS02-5,00](#) [1-1986160-3](#) [1377680000](#) [1531000000](#) [1546228-5](#) [ELFH16150](#) [ELFP03110](#)  
[ELFP10210](#) [ELFT06250](#) [ELVP03100](#) [1700101](#) [1700410](#) [1700425](#) [1702246](#) [1705229](#) [1710175](#) [1714537](#) [1717806](#) [1719600](#) [1728941](#)  
[1734692](#) [1734795](#) [1736036](#) [1740194](#) [1740291](#) [1740628](#) [1740990](#) [1746952](#) [1750207](#) [1752441](#) [1752865](#) [1754115](#) [1754144](#) [1756913](#)  
[1760051](#) [1760336](#)