

Electronic housing - UM-PRO PROFILE - 2200148

Please be informed that the data shown in this PDF Document is generated from our Online Catalog. Please find the complete data in the user's documentation. Our General Terms of Use for Downloads are valid (<http://phoenixcontact.com/download>)

Press-drawn section housings, length: 2000 mm, Lower part, color: light gray, height: 40 mm, Note: required profile length = PCB length - 16.2 mm



Your advantages

- Item is from the UM-BASIC/UM-PRO product range
- PVC press-drawn section (UM-BASIC) or PA (UM-PRO)
- Available in individual lengths
- Available in the overall widths of 72 mm, 108 mm, and 122 mm
- Variety of connection technologies
- Can be mounted on the DIN rail

Key Commercial Data

| | |
|--------------|------|
| Packing unit | 1 pc |
|--------------|------|

Configuration

| | |
|---------------------|---------------------|
| Profile PCB width | 108 mm [UM108] |
| Profile length [cm] | 10.75 |
| profile color | Light gray [GY7035] |

Technical data

General

| | |
|------------------|------------------------------|
| Housing type | Press-drawn section housings |
| Housing material | Polyamide |
| Color (RAL) | light gray |

Ambient conditions

| | |
|---------------------------------|--|
| Ambient temperature (operation) | -40 °C ... 100 °C (depending on power dissipation) |
|---------------------------------|--|

Dimensions

| | |
|--------|---------|
| Length | 2000 mm |
| Height | 40 mm |

Electronic housing - UM-PRO PROFILE - 2200148

Technical data

Dimensions

| | |
|-------|----------|
| Depth | 127.5 mm |
|-------|----------|

Technical data

| | |
|---------------------|-----|
| Number of positions | 999 |
|---------------------|-----|

Standards and Regulations

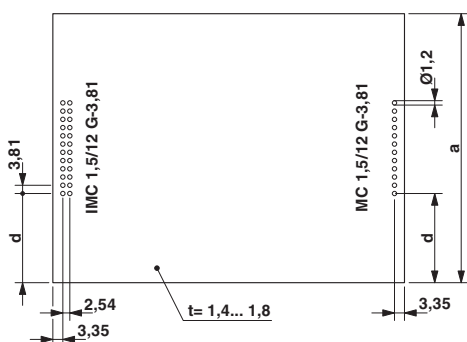
| | |
|--|----|
| Flammability rating according to UL 94 | V0 |
|--|----|

Environmental Product Compliance

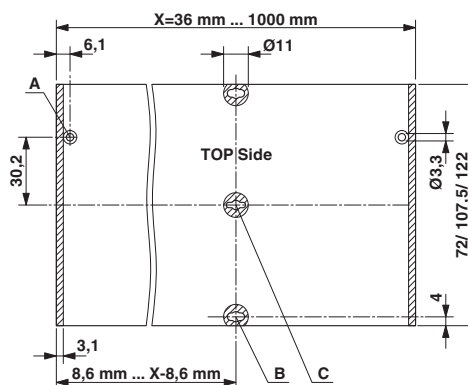
| | |
|------------|---|
| China RoHS | Environmentally friendly use period: unlimited = EFUP-e |
| | No hazardous substances above threshold values |

Drawings

Drilling diagram



Dimensional drawing



UM-PRO 72: Dimension a = 72 mm; Dimension d = 15.1 mm
 UM-PRO 108: Dimension a = 107.5 mm; Dimension d = 32.8 mm
 UM-PRO 122: Dimension a = 122 mm; Dimension d = 40 mm

A=drill hole for optional PE contact; B=for optional S-Lock PCB lock in upper level; C=for optional C-Lock PCB lock (all levels)

Electronic housing - UM-PRO PROFILE - 2200148

Approvals

Approvals

Approvals

UL Recognized

Ex Approvals

Approval details

UL Recognized



<http://database.ul.com/cgi-bin/XYV/template/LISEXT/1FRAME/index.htm>

FILE E 240868

Phoenix Contact 2018 © - all rights reserved
<http://www.phoenixcontact.com>

PHOENIX CONTACT GmbH & Co. KG
Flachsmarktstr. 8
32825 Blomberg
Germany
Tel. +49 5235 300
Fax +49 5235 3 41200
<http://www.phoenixcontact.com>

X-ON Electronics

Largest Supplier of Electrical and Electronic Components

Click to view similar products for [Enclosures, Boxes & Cases](#) *category:*

Click to view products by [Phoenix Contact](#) *manufacturer:*

Other Similar products are found below :

[585-R-WH-PK](#) [M-10-PLATED](#) [60221-01](#) [60566-01-000](#) [HPL-9VB BATT DOOR](#) [M18-PLTD](#) [M-21-PLATED](#) [63310-01-000](#) [6711GSKT](#)
[71884-29-028](#) [LH45-100 Black](#) [72868-510-000](#) [CNS-0000 Black](#) [72883-510-000](#) [CNS-0101 Black](#) [72906-510-000](#) [CNS-0407 Black](#) [73092-](#)
[510-000](#) [CNM-0101 Black](#) [73105-510-000](#) [CNL-0101 Black](#) [73108-510-000](#) [CNL-0303 Black](#) [73395-510-039](#) [CNS-0006 Bone](#) [74257-510-000](#)
[CNL-0004](#) [MDC-1183-PLAIN-ALUM](#) [MDC-1183-PTD](#) [MDC-13104-PTD](#) [MDC-321-PTD](#) [MDC-973-PTD](#) [76](#) [77153-01-028](#) [FLX6030](#)
[83535-01-508](#) [90026-501-000](#) [PS36-200](#) [116-508](#) [120-407](#) [120-910](#) [127-908](#) [130-008](#) [1301170079](#) [1322GSKTEP](#) [1325GSKT3](#) [1434-1210](#)
[EAS-500 \(BLACK ANO\)](#) [1804RP-RB-PK](#) [190-005](#) [2202307](#) [KAB3321 BLACK](#) [KAB3421](#) [2697466](#) [S52213](#) [2901123](#) [2901699](#) [A0645271](#)
[A20P20](#) [2106-IR](#) [PERF-850-PLN](#)