

Mounting base housing - EH 45 F-B/ABS GY7035 - 2200474

Please be informed that the data shown in this PDF Document is generated from our Online Catalog. Please find the complete data in the user's documentation. Our General Terms of Use for Downloads are valid (<http://phoenixcontact.com/download>)




DIN rail housing, Lower housing part with base latch, flat design, width: 45.1 mm, height: 75 mm, depth: 30.3 mm, color: light gray (7035)

Your advantages

- ✓ DIN rail or wall mounting for application-specific device attachment
- ✓ Easy design-in, thanks to variable housing form factor
- ✓ Complete flexibility, thanks to PCBs with horizontal, frontal, and orthogonal orientation to the front of the device
- ✓ Three cover versions for individual PCB connections
- ✓ Integration of a wide variety of PCB connection technologies for a functional device design



Key Commercial Data

Packing unit	10 pc
GTIN	 4 046356 909464
GTIN	4046356909464

Technical data

Item properties

Brief article description	Mounting base housing
Type	EH 45 F-B/ABS GY7035
Order No.	2200474
Housing type	DIN rail housing
Housing series	EH
Type	Lower housing part with base latch, flat design
Max. IP code to attain	IP20
Mounting type	DIN rail mounting/wall mounting (with optional base latch)
Ventilation openings present	no

Dimensions

Width [w]	45.1 mm
-------------	---------

Mounting base housing - EH 45 F-B/ABS GY7035 - 2200474

Technical data

Dimensions

Height [h]	75 mm
Depth [d]	30.3 mm
Depth from top edge of DIN rail to support point on upper part [d]	26 mm

Material data

Housing material	ABS
Color (RAL)	light gray (7035)
Flammability rating according to UL 94	HB

Ambient conditions

Ambient temperature (storage/transport)	-40 °C ... 55 °C
Ambient temperature (assembly)	-5 °C ... 80 °C
Ambient temperature (operation)	-40 °C ... 80 °C (depending on power dissipation)

PCB data

PCB thickness	1.4 mm ... 1.8 mm
Mounting position	Vertical (horizontal DIN rail)
Type of PCB mount	Latching

Mechanical strength/tumbling barrel

Specification	IEC 60998-1:2002-12
Height of fall	50 cm
Number of drop cycles	10

Vibration test

Specification	IEC 60068-2-6:2007-12
Frequency	10 - 150 - 10 Hz
Sweep speed	1 octave/min
Amplitude	0.15 mm (10 - 58.1 Hz)
Acceleration	2g (58.1 - 150 Hz)
Test duration per axis	2.5 h
Test directions	X-, Y- and Z-axis

Shock

Specification	IEC 60068-2-27:2008-02
Pulse shape	Half-sine
Acceleration	15g
Shock duration	11 ms
Number of shocks per direction	3
Test directions	X-, Y- and Z-axis (pos. and neg.)

Thermostability (Ball Thrust Test)

Specification	IEC 60695-10-2:2014-02
Temperature	80 °C
Test duration	1 h

Mounting base housing - EH 45 F-B/ABS GY7035 - 2200474

Technical data

Thermostability (Ball Thrust Test)

Force	20 N
-------	------

Degrees of protection provided by housings (IP code)

Specification	IEC 60529:1989-11 + AMD 1:1999-11 + AMD 2:2013-08
Result, degree of protection, IP code	IP20

General information

Type of note	Assembly instruction:
Note	Refer to the data sheet for the range in the download area.

Packaging information

Type of packaging	packed in cardboard
Pieces per package	10
Denomination packing units	Pcs.
Outer packaging type	Carton

Standards and regulations

Flammability rating according to UL 94	HB
--	----

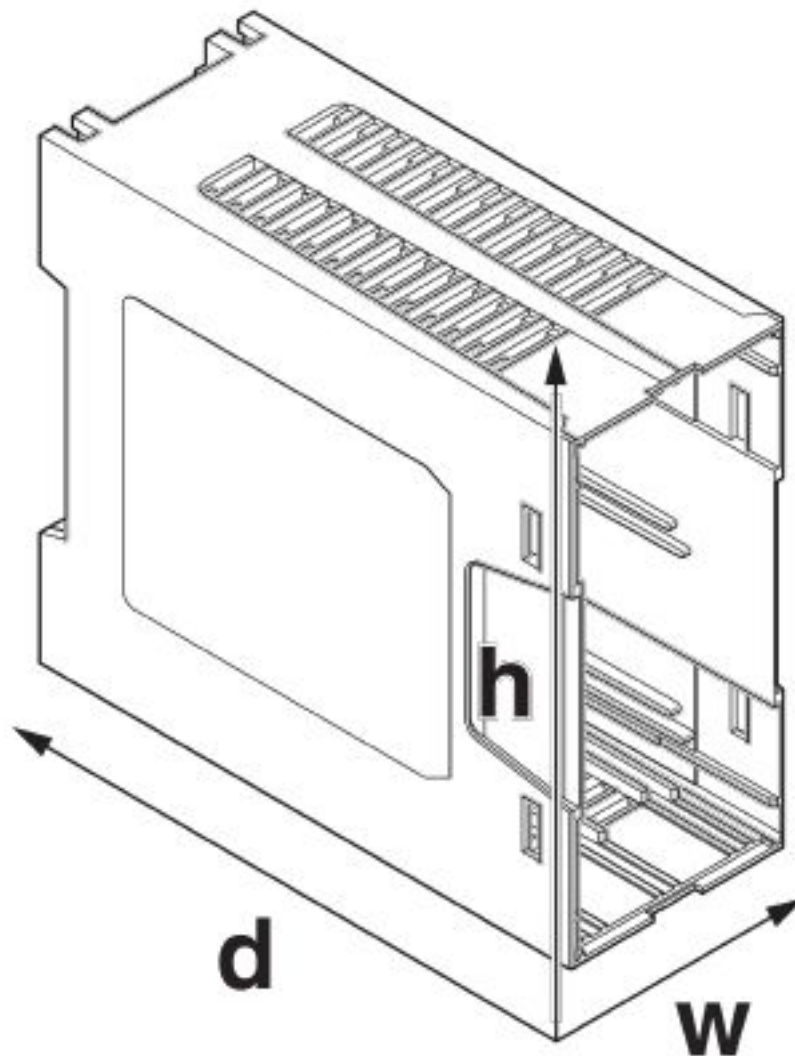
Environmental Product Compliance

China RoHS	Environmentally friendly use period: unlimited = EFUP-e
	No hazardous substances above threshold values

Drawings

Mounting base housing - EH 45 F-B/ABS GY7035 - 2200474

Dimensional drawing



Classifications

eCl@ss

eCl@ss 10.0.1	27182702
eCl@ss 5.0	27180500
eCl@ss 5.1	27180500
eCl@ss 6.0	27180800
eCl@ss 7.0	27182702
eCl@ss 8.0	27182702
eCl@ss 9.0	27182702

ETIM

ETIM 4.0	EC001031
----------	----------

Mounting base housing - EH 45 F-B/ABS GY7035 - 2200474

Classifications

ETIM

ETIM 5.0	EC001031
ETIM 6.0	EC001031
ETIM 7.0	EC001031

UNSPSC

UNSPSC 13.2	31261501
UNSPSC 18.0	31261501
UNSPSC 19.0	31261501
UNSPSC 20.0	31261501
UNSPSC 21.0	31261501

Approvals

Approvals

Approvals

EAC

Ex Approvals

Approval details

EAC		B.01742
-----	--	---------

Accessories

Accessories

Mounting material

Base latch - EH SNAPLOCK SET WALL MOUNT OG - 2202007

DIN rail housing, Base latch for wall mounting, width: 28.8 mm, height: 18.7 mm, depth: 4.15 mm, color: orange (2003)



Necessary add-on products

Mounting base housing - EH 45 F-B/ABS GY7035 - 2200474

Accessories

Upper part of housing - EH 45 F-C CS/ABS BK9005 - 2201766



DIN rail housing, Upper part, flat design, Without connection opening, with vents, width: 45.1 mm, height: 74.65 mm, depth: 36.95 mm, color: black (9005)

Upper part of housing - EH 45 F-C CS/ABS GY7035 - 2201769



DIN rail housing, Upper part, flat design, Without connection opening, with vents, width: 45.1 mm, height: 74.65 mm, depth: 36.95 mm, color: light gray (7035)

Upper part of housing - EH 45 F-C DS/ABS BK9005 - 2201771



DIN rail housing, Upper part, flat design, connection opening on both sides, width: 45.1 mm, height: 74.65 mm, depth: 36.95 mm, color: black (9005)

Upper part of housing - EH 45 F-C DS/ABS GY7035 - 2201770



DIN rail housing, Upper part, flat design, connection opening on both sides, width: 45.1 mm, height: 74.65 mm, depth: 36.95 mm, color: light gray (7035)

Upper part of housing - EH 45 F-C SS/ABS BK9005 - 2201448



DIN rail housing, Upper part, flat design, One-way connection opening, with vents, width: 45.1 mm, height: 74.65 mm, depth: 36.95 mm, color: black (9005)

Mounting base housing - EH 45 F-B/ABS GY7035 - 2200474

Accessories

Upper part of housing - EH 45 F-C SS/ABS GY7035 - 2200789



DIN rail housing, Upper part, flat design, One-way connection opening, with vents, width: 45.1 mm, height: 74.65 mm, depth: 36.95 mm, color: light gray (7035)

Phoenix Contact 2020 © - all rights reserved
<http://www.phoenixcontact.com>

PHOENIX CONTACT GmbH & Co. KG
Flachsmarktstr. 8
32825 Blomberg
Germany
Tel. +49 5235 300
Fax +49 5235 3 41200
<http://www.phoenixcontact.com>

X-ON Electronics

Largest Supplier of Electrical and Electronic Components

Click to view similar products for [Enclosures, Boxes & Cases](#) *category:*

Click to view products by [Phoenix Contact](#) *manufacturer:*

Other Similar products are found below :

[585-R-WH-PK](#) [M-10-PLATED](#) [60221-01](#) [60566-01-000](#) [HPL-9VB BATT DOOR](#) [M18-PLTD](#) [M-21-PLATED](#) [63310-01-000](#) [6711GSKT](#)
[71884-29-028](#) [LH45-100 Black](#) [72868-510-000](#) [CNS-0000 Black](#) [72883-510-000](#) [CNS-0101 Black](#) [72906-510-000](#) [CNS-0407 Black](#) [73092-](#)
[510-000](#) [CNM-0101 Black](#) [73105-510-000](#) [CNL-0101 Black](#) [73108-510-000](#) [CNL-0303 Black](#) [73395-510-039](#) [CNS-0006 Bone](#) [74257-510-000](#)
[CNL-0004](#) [MDC-1183-PLAIN-ALUM](#) [MDC-1183-PTD](#) [MDC-13104-PTD](#) [MDC-321-PTD](#) [MDC-973-PTD](#) [76](#) [77153-01-028](#) [FLX6030](#)
[83535-01-508](#) [90026-501-000](#) [PS36-200](#) [116-508](#) [120-407](#) [120-910](#) [127-908](#) [130-008](#) [1301170079](#) [1322GSKTEP](#) [1325GSKT3](#) [1434-1210](#)
[EAS-500 \(BLACK ANO\)](#) [1804RP-RB-PK](#) [190-005](#) [2202307](#) [KAB3321 BLACK](#) [KAB3421](#) [2697466](#) [S52213](#) [2901123](#) [2901699](#) [A0645271](#)
[A20P20](#) [2106-IR](#) [PERF-850-PLN](#)